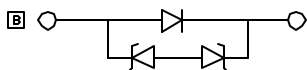
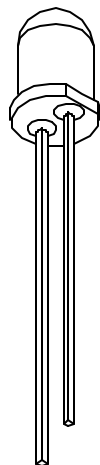
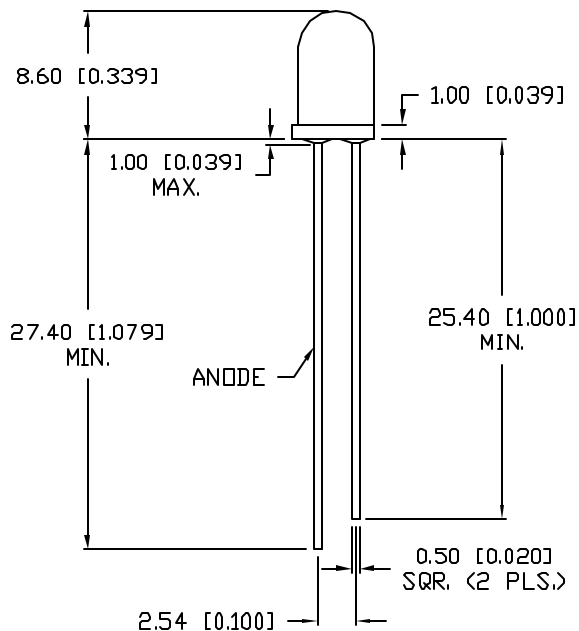
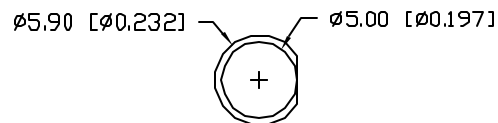


UNCONTROLLED DOCUMENT

PART NUMBER		REV.
SSL-LX5093UWC/B		C
REV.	E.C.N. NUMBER AND REVISION COMMENTS	DATE
A	E.C.N. #10509.	4.27.99
B	E.C.N. #11283.	1.6.06
C	E.C.N. #11148	10.27.06



□ ELECTRO-OPTICAL CHARACTERISTICS TA=25°C

PARAMETER	SYMBOL	MIN	TYP	MAX	UNITS	TEST COND
PEAK WAVELENGTH			550 (WHITE)		nm	
FORWARD VOLTAGE	V <sub>f</sub>		3.6	4.0	V	I <sub>f</sub> =20mA
REVERSE VOLTAGE	V <sub>r</sub>	5			V	I <sub>f</sub> =10μA
AXIAL INTENSITY(*1)	I <sub>v</sub>		1700		mcd	I <sub>f</sub> =20mA
CHROMATICITY	X		0.29			
COORDINATES(*2)	Y		0.30			I <sub>f</sub> =20mA
VIEWING ANGLE			20		2x theta	
EMITTED COLOR:	WHITE					
EPOXY LENS FINISH:	WATER CLEAR					

\*1. AXIAL INTENSITY TESTING CONDITION: 550nm WAVELENGTH.  
\*2. THE ICI STANDARD COLORIMETRIC SYSTEM.

LIMITS OF SAFE OPERATION AT 25°C

PARAMETER	SYMBOL	MAX	UNITS
PULSE FORWARD CURRENT	I <sub>p</sub>	100*	mA
STEADY CURRENT	I <sub>F</sub>	30	mA
POWER DISSIPATION	P <sub>D</sub>	120	mW
OPERATING TEMP.	T <sub>OPR</sub>	-30 TO +80	°C
STORAGE TEMP.	T <sub>STG</sub>	-40 TO +100	°C
SOLDERING TEMP.		+260	°C
2.0mm FROM BODY			3 SEC. MAX

\*DUTY 1/10 PULSE WIDTH 10ms

CAUTION: STATIC SENSITIVE DEVICE  
FOLLOW PROPER E.S.D. HANDLING PROCEDURES  
WHEN WORKING WITH THIS PART.



UNCONTROLLED DOCUMENT

\*UNLESS OTHERWISE SPECIFIED TOLERANCES PER DECIMAL PRECISION ARE: X=±1 (±0.039), XX=±0.5 (±0.020), XXX=±0.25 (±0.010), XXXX=±0.127 (±0.005). LEAD SIZE=±0.05 (±0.002), LEAD LENGTH=±0.75 (±0.030), MIN.=<sup>+0.00</sup>/<sub>-0.00</sub> MAX.=<sup>+0.00</sup>/<sub>-0.00</sub>

REV. C	PART NUMBER SSL-LX5093UWC/B	CONFIDENTIAL INFORMATION THE INFORMATION CONTAINED IN THIS DOCUMENT IS THE PROPERTY OF LUMEX INC. EXCEPT AS SPECIFICALLY AUTHORIZED IN WRITING BY LUMEX INC, THE HOLDER OF THIS DOCUMENT SHALL KEEP ALL INFORMATION CONTAINED HEREIN CONFIDENTIAL AND SHALL PROTECT SAME IN WHOLE OR IN PART FROM DISCLOSURE AND DISSEMINATION TO ALL THIRD PARTIES.	<b>LUMEX</b> INCORPORATED	290 E. HELLEN ROAD PALATINE, ILLINOIS 60067 PHONE: (847) 359-2790 WEB: <a href="http://www.lumex.com">http://www.lumex.com</a>
T-5mm (T-1 3/4) ULTRA WHITE LED, WATER CLEAR LENS.		RELIABILITY NOTE OUR MANY YEARS OF EXPERIENCE DATA ACCUMULATION INDICATE THAT SOLDER HEAT IS A MAJOR CAUSE OF EARLY AND FUTURE FAILURE. PLEASE PAY ATTENTION TO YOUR SOLDERING PROCESS.	DRAWN BY: JC	CHECKED BY: APPROVED BY: DATE: 10.27.06 PAGE: 1 OF 1 SCALE: N/A