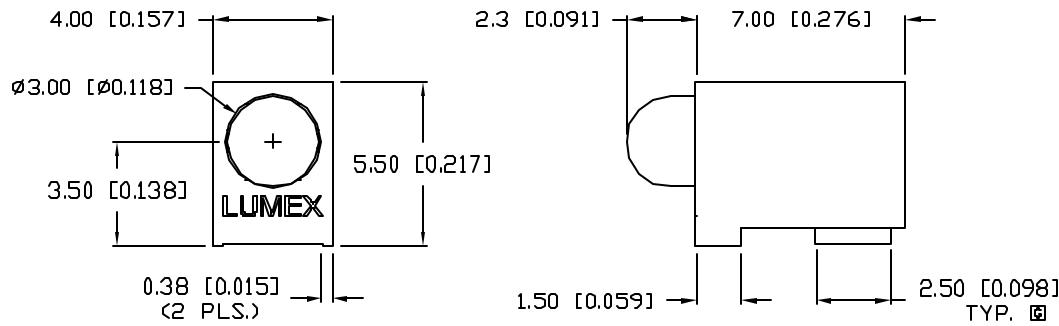
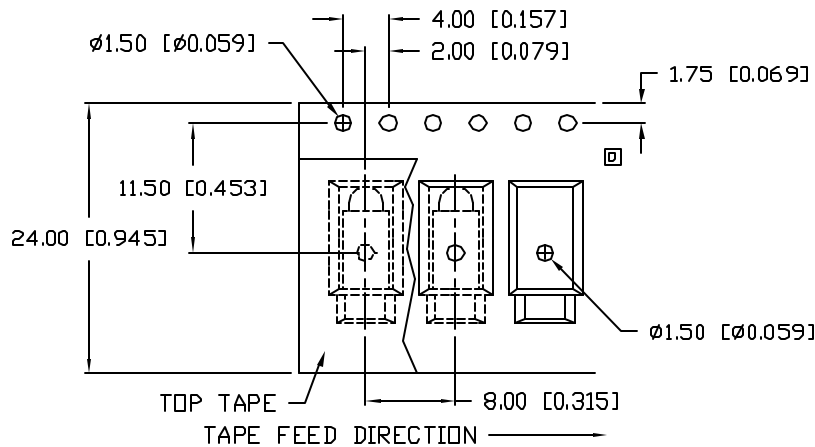
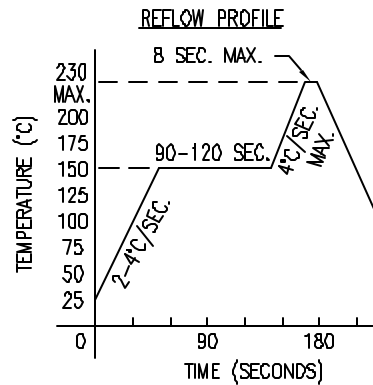
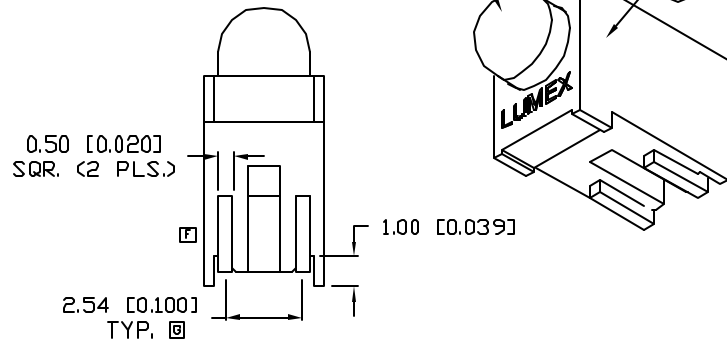


UNCONTROLLED DOCUMENT

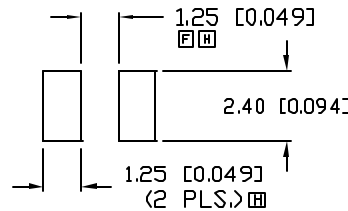


ANODE CATHODE

PATENT PENDING



RECOMMENDED SOLDER PAD LAYOUT



PART NUMBER
SSF-LXH305GD-5V(-TR)

REV.
H

REV.	E.C.N. NUMBER AND REVISION COMMENTS	DATE
A	CORRECTED PROTRUSION.	3.13.95
B	ADDED TAPE AND REEL OPTION.	7.5.95
C	E.C.N. #10BRDR. & REDRAWN.	10.15.97
D	E.C.N. #10625.	5.22.00
E	E.C.N. #10683.	11.30.00
F	E.C.N. #10782.	11.6.01
G	E.C.N. #10855.	4.22.02
H	E.C.N. #10864.	5.15.02

ELECTRO-OPTICAL CHARACTERISTICS $T_A=25^\circ\text{C}$ $V_f=5\text{ V}$

PARAMETER	MIN	TYP	MAX	UNITS	TEST COND
PEAK WAVELENGTH		565		nm	
FORWARD VOLTAGE		5.0	7.0	V_f	
REVERSE VOLTAGE	5.0			V_r	$I_r=100\mu\text{A}$
AXIAL INTENSITY		22		mcd	$V_f=5\text{ V}$
VIEWING ANGLE		60		2x theta	
EMITTED COLOR:	GREEN				
EPOXY LENS FINISH:	GREEN DIFFUSED				

LIMITS OF SAFE OPERATION AT 25°C

PARAMETER	MAX	UNITS
PEAK FORWARD CURRENT*	150	mA
STEADY CURRENT	12	mA
POWER DISSIPATION	310	mW
DERATE FROM 25°C	-1.6	mW/°C
OPERATING, STORAGE TEMP.	-40 TO +85	°C
SOLDERING TEMP.	+230	°C
		3 SEC. MAX

* $t < 10\mu\text{s}$

NOTES:

- SSL-LXH305F4GD-5V, GREEN LED.
- SSH-LXH305, BLACK HOLDER.
- () -TR SUFFIX TO DESIGNATE TAPE AND REEL SUPPLIED.
- () CARRIER TAPE #LXP-CARRIER24-55.

UNCONTROLLED DOCUMENT

*UNLESS OTHERWISE SPECIFIED TOLERANCES PER DECIMAL PRECISION ARE: X=±1 (±0.039), XX=±0.5 (±0.020), XXX=±0.25 (±0.010), XXXX=±0.127 (±0.005), LEAD SIZE=±0.05 (±0.002), LEAD LENGTH=±0.75 (±0.030), MIN.=+0.00, -0.00, MAX.=+0.00, -0.00

REV.	PART NUMBER
H	SSF-LXH305GD-5V(-TR)

T-3mm (T-1) RIGHT ANGLE SURFACE MOUNT LED,
565nm GREEN LED, 5 VOLT OPERATION,
GREEN DIFFUSED LENS, TAPE AND REEL.

CONFIDENTIAL INFORMATION
THE INFORMATION CONTAINED IN THIS DOCUMENT IS THE PROPERTY OF LUMEX INC. EXCEPT AS SPECIFICALLY AUTHORIZED IN WRITING BY LUMEX INC., THE HOLDER OF THIS DOCUMENT SHALL KEEP ALL INFORMATION CONTAINED HEREIN CONFIDENTIAL AND SHALL PROTECT SAME IN WHOLE OR IN PART FROM DISCLOSURE AND DISSEMINATION TO ALL THIRD PARTIES.

RELIABILITY NOTE
OUR MANY YEARS OF EXPERIENCE DATA ACCUMULATION INDICATE THAT SOLDER HEAT IS A MAJOR CAUSE OF EARLY AND FUTURE FAILURE. PLEASE PAY ATTENTION TO YOUR SOLDERING PROCESS.

		290 E. HELEN ROAD PALATINE, IL 60067-6976 PHONE: +1.847.359.2790 US WEB: www.lumex.com TW WEB: www.lumex.com.tw
DRAWN BY: BC	CHECKED BY:	APPROVED BY:
		DATE: 3.3.94
		PAGE: 1 OF 1
		SCALE: N/A