

**For NEW designs consider this replacement product:**

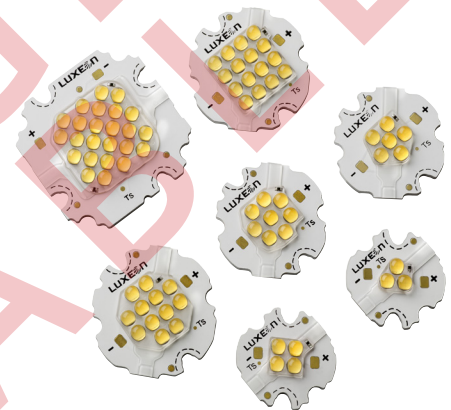
- LUXEON CoB Core Range (Gen 3)



# LUXEON K

Plug and play matrix platform solution with precise flux,  $V_f$  and color

LUXEON K delivers high flux at high efficacy in a small, easy-to-use package. The high lumen density enables high light output in thermally and space constrained systems (like retrofit lamps) and high efficiency in systems aiming for high energy efficiency (such as downlights). The small size bolt-down package enables simple assembly in space constrained systems. With *Freedom from Binning*, every LUXEON K white product falls within a single 3-step MacAdam ellipse positioned around the center point of the ANSI nominal CCT bins to deliver tight CCT control to ensure consistency in system color point. In addition, these parts deliver the lumen maintenance and reliability that all LUXEON LEDs are renowned for.



## FEATURES AND BENEFITS

- 300–5000 lumen packages for a range of options
- 3-step MacAdam ellipse color binning for exceptional lamp to lamp consistency
- L2 design for a reduction in design costs
- Full range of CCTs and CRIs including Royal Blue
- LM-80 test report available

## PRIMARY APPLICATIONS

- Downlights
- Lamps

# Table of Contents

General Information .....	2
Product Nomenclature .....	2
Average Lumen Maintenance Characteristics .....	2
Environmental Compliance .....	2
Product Selection .....	3
Optical Characteristics .....	5
Electrical Characteristics .....	6
Absolute Maximum Ratings .....	7
Electrical Lead Soldering Characteristics .....	7
Mechanical Dimensions .....	8
Relative Spectral Distribution vs. Wavelength Characteristics .....	15
Light Output Characteristics over Temperature .....	16
Typical Forward Current Characteristics .....	17
Typical Radiation Patterns .....	23
Packaging on Trays .....	23
LUXEON K White ANSI Color Bin Definition .....	26

NO LONGER ORDERABLE

# General Information

## Product Nomenclature

LUXEON K products are specified and binned “hot” ( $T_j = 85^\circ\text{C}$ ) under conditions comparable to those found in “real-world” lighting products.

The part number designation is explained as follows:

L X K A - P B C D - E F G H J

Where:

- A — designates minimum CRI performance (value 8 = 80 minimum, value 9 = 90 minimum, value 0 for Royal Blue)
- B — designates color (value W = White, value R = Royal Blue)
- C, D — designates nominal ANSI CCT (value 27 = 2700K, 30 = 3000K, 35 = 3500K, 40 = 4000K, 50 = 5000K, and 04 = Royal Blue 447.5nm - 452.5nm peak wavelength)
- E, F — custom spec designation or multi-junction designation (F - Number of strings, H number of emitters, for example 0206, 2 strings of 3 = total emitters of 6)
- G, H — emitter count
- J — denotes a flux upgrade (e.g, A, B, C, etc)

Therefore, 3000K products specified at 350mA 85°C follow the part numbering scheme:

- L X K 8 - P W 3 0 - 0 0 0 4 for LUXEON K White 3000K 4-up
- L X K 8 - P W 3 0 - 0 0 0 8 for LUXEON K White 3000K 8-up
- L X K 0 - P R 0 4 - 0 0 0 8 for LUXEON K Royal Blue 8-up

## Average Lumen Maintenance Characteristics

Lumen maintenance for solid-state lighting devices (LEDs) is typically defined in terms of the percentage of initial light output remaining after a specified period of time. Lumileds projects that LUXEON K products will deliver, on average, 70% lumen maintenance (L70) at 50,000 hours of operation at a forward current of up to 700mA. This projection is based on constant current operation with junction temperature maintained at or below 125°C. This performance is based on independent test data, Lumileds historical data from tests run on similar material systems, and internal LUXEON reliability testing. Observation of design limits included in this data sheet is required in order to achieve this projected lumen maintenance.

## Environmental Compliance

Lumileds is committed to providing environmentally friendly products to the solid-state lighting market. LUXEON K is compliant to the European Union directives on the restriction of hazardous substances in electronic equipment, namely the RoHS directive. Lumileds will not intentionally add the following restricted materials to the LUXEON K: lead, mercury, cadmium, hexavalent chromium, polybrominated biphenyls (PBB) or polybrominated diphenyl ethers (PBDE).

# Product Selection

## Product Selection Guide for LUXEON K White, Junction Temperature = 85°C

Table 1.

Nominal CCT	Emitter Count	Part Number	Test Current (mA)	Minimum CRI	Typical CRI	Minimum Flux (lm)	Typical Flux (lm)	Maximum Flux (lm)
2700	3	LXK8-PW27-0403	87.5	80	83	270	285	320
2700	4	LXK8-PW27-0004A	350	80	83	360	400	430
2700	4	LXK8-PW27-0404	87.5	80	83	340	355	410
2700	6	LXK8-PW27-0206	175	80	83	530	600	670
2700	8	LXK8-PW27-0008A	350	80	83	730	765	870
2700	12	LXK8-PW27-0012A	350	80	83	1100	1150	1320
2700	16	LXK8-PW27-0016A	350	80	83	1480	1530	1770
2700	24	LXK8-PW27-0024A	350	80	83	2230	2380	2670
3000	3	LXK8-PW30-0403	87.5	80	83	270	285	320
3000	4	LXK8-PW30-0004A	350	80	83	380	460	510
3000	4	LXK8-PW30-0404	87.5	80	83	355	375	420
3000	6	LXK8-PW30-0206	175	80	83	540	620	690
3000	8	LXK8-PW30-0008A	350	80	83	760	920	1030
3000	12	LXK8-PW30-0012A	350	80	83	1140	1375	1530
3000	16	LXK8-PW30-0016A	350	80	83	1520	1640	1870
3000	24	LXK8-PW30-0024A	350	80	83	2280	2485	2820
3500	4	LXK8-PW35-0004	350	80	83	400	470	530
3500	8	LXK8-PW35-0008	350	80	83	820	920	1040
3500	12	LXK8-PW35-0012	350	80	83	1200	1360	1540
3500	16	LXK8-PW35-0016	350	80	83	1590	1750	1980
3500	24	LXK8-PW35-0024	350	80	83	2420	2750	3100
4000	3	LXK8-PW40-0403	87.5	80	83	310	325	370
4000	4	LXK8-PW40-0004A	350	80	83	420	505	560
4000	4	LXK8-PW40-0404	87.5	80	83	410	430	490
4000	6	LXK8-PW40-0206	175	80	83	625	740	820
4000	8	LXK8-PW40-0008A	350	80	83	820	1000	1100
4000	12	LXK8-PW40-0012A	350	80	83	1250	1405	1590
4000	16	LXK8-PW40-0016A	350	80	83	1680	1875	2120
4000	24	LXK8-PW40-0024A	350	80	83	2530	2860	3230
5000K	4	LXK8-PW50-0004	350	80	83	440	530	600
5000K	6	LXK8-PW50-0206	350	80	83	670	735	820
5000K	8	LXK8-PW50-0008	350	80	83	890	1075	1100
5000K	12	LXK8-PW50-0012	350	80	83	1310	1605	1790
5000K	16	LXK8-PW50-0016	350	80	83	1760	2070	2180
5000K	24	LXK8-PW50-0024	350	80	83	2650	3255	3230

Table 1 continued on page 4.

Table 1 Continued.

Nominal CCT	Emitter Count	Part Number	Test Current (mA)	Minimum CRI	Typical CRI	Minimum Flux (lm)	Typical Flux (lm)	Maximum Flux (lm)
3000	8	LXK7-PW30-0008	350	70	73	1020	1070	1225
3000	12	LXK7-PW30-0012	350	70	73	1490	1565	1785
3000	16	LXK7-PW30-0016	350	70	73	2005	2105	2405
4000	8	LXK7-PW40-0008	350	70	73	1020	1070	1225
4000	12	LXK7-PW40-0012	350	70	73	1560	1635	1870
4000	16	LXK7-PW40-0016	350	70	73	2040	2150	2445
2700	4	LXK9-PW27-0004	350	90	93	300	315	360
2700	8	LXK9-PW27-0008	350	90	93	610	640	730
2700	12	LXK9-PW27-0012	350	90	93	940	985	1120
2700	16	LXK9-PW27-0016	350	90	93	1265	1330	1510
2700	24	LXK9-PW27-0024	350	90	93	1880	1975	2250
3000	4	LXK9-PW30-0004	350	90	93	320	380	425
3000	8	LXK9-PW30-0008	350	90	93	660	735	830
3000	12	LXK9-PW30-0012	350	90	93	1010	1100	1250
3000	16	LXK9-PW30-0016	350	90	93	1350	1465	1665
3000	24	LXK9-PW30-0024	350	90	93	2045	2145	2450
2700**	4	LXK8-PW27-0004	350	80	83	310	375	430
2700**	8	LXK8-PW27-0008	350	80	83	680	775	890
2700**	12	LXK8-PW27-0012	350	80	83	990	1165	1330
2700**	16	LXK8-PW27-0016	350	80	83	1380	1595	1830
2700**	24	LXK8-PW27-0024	350	80	83	1960	2400	2730
3000**	4	LXK8-PW30-0004	350	80	83	330	430	480
3000**	8	LXK8-PW30-0008	350	80	83	730	855	980
3000**	12	LXK8-PW30-0012	350	80	83	1070	1280	1460
3000**	16	LXK8-PW30-0016	350	80	83	1475	1780	1990
3000**	24	LXK8-PW30-0024	350	80	83	2100	2495	2850
4000**	4	LXK8-PW40-0004	350	80	83	380	480	540
4000**	8	LXK8-PW40-0008	350	80	83	780	950	1080
4000**	12	LXK8-PW40-0012	350	80	83	1120	1430	1610
4000**	16	LXK8-PW40-0016	350	80	83	1590	1925	2180
4000**	24	LXK8-PW40-0024	350	80	83	2260	2980	3340

Notes for Table 1:

1. Lumileds maintains a tolerance of  $\pm 6.5\%$  on luminous flux and  $\pm 2$  on CRI measurements.
2. \* = High voltage multi-junction.
3. \*\* = Parts with original flux performance (before flux upgrade).

## Product Selection Guide for LUXEON K Royal Blue, Junction Temperature = 85°C, Test Current = 350mA

Table 2.

Color	Emitter Count	Part Number	Minimum Radiometric Power (mW)	Typical Radiometric Power (mW)	Maximum Radiometric Power (mW)	Typical Radiant Efficiency (%)
Royal Blue	8	LXK0-PR04-0008	4500	4670	5400	62%
Royal Blue	16	LXK0-PR04-0016	9000	9350	10800	62%

# Optical Characteristics

## LUXEON K White at Test Current, Junction Temperature = 85°C

Table 3.

Part Number	Nominal CCT	Color Temperature CCT	Typical Total Included Angle <sup>[2]</sup> (degrees) $\theta_{90V}$	Typical Viewing Angle <sup>[2]</sup> (degrees) $2\theta_{1/2}$
		Typical		
LXKx-PW27-xxxx(A)	2700K	2725K	125	100
LXKx-PW30-xxxx(A)	3000K	3045K	125	100
LXKx-PW35-xxxx	3500K	3465K	125	100
LXKx-PW40-xxxx(A)	4000K	3985K	125	100
LXKx-PW50-xxxx	5000K	5028K	125	100

Notes for Table 3:

1. Total angle at which 90% of total luminous flux is captured.
2. Viewing angle is the off axis angle from lamp centerline where the luminous intensity is 1/2 of the peak value.

## LUXEON K Royal Blue (LXK0-PRxx) at Test Current <sup>[1]</sup>, Junction Temperature = 85°C

Table 4.

Part Color	Peak Wavelength, $\lambda_p$ <sup>[2]</sup>			Typical Spectral Half-width (nm) <sup>[3]</sup> $\Delta\lambda_{1/2}$	Typical Temp Coefficient of Peak Wavelength (nm/°C) $\Delta\lambda_{1/2}$	Typical Total Included Angle <sup>[4]</sup> (degrees) $\theta_{90V}$	Typical Viewing Angle <sup>[5]</sup> (degrees) $2\theta_{1/2}$
	Min	Typ	Max				
Royal Blue	447.5nm	450nm	452.5nm	20	0.05	140	116

Notes for Table 4:

1. Test current is 350mA for all LXK0-PRxx products.
2. Royal Blue product has single peak wavelength bin.
3. Spectral half-width is 1/2 of the peak intensity.
4. Total included angle at which 90% of total radiometric power is captured.
5. Viewing angle is the off-axis angle from lamp centerline where the luminous intensity is 1/2 of the peak value.

# Electrical Characteristics

Electrical Characteristics at Test Current for LUXEON K White and Royal Blue, Junction Temperature = 85°C

Table 5.

Part Number	Forward Voltage $V_f$ <sup>(1)</sup> (V)			Typical Temperature Coefficient of Forward Voltage (mV/°C) $\Delta V_f / \Delta T_J$	Typical Thermal Resistance Junction to Case (°C/W) $R_{\theta J-c}$
	Minimum	Typical	Maximum		
LXKx-Pxxx-0403	30	31.5	33.8	-21.0	5.5
LXKx-Pxxx-xx04(A)	10	10.5	11.3	-6.3	3.0
LXKx-Pxxx-x404	40	42	45.1	-30.1	3.0
LXKx-Pxxx-xx08(A)	20	21	22.6	-12.5	1.5
LXKx-Pxxx-x206	30	31.5	33.8	-21.0	2.3
LXKx-Pxxx-xx12(A)	30	31.5	33.8	-18.8	1.0
LXKx-Pxxx-xx16(A)	40	42	45.1	-25.0	0.8
LXKx-Pxxx-xx24(A)	60	63	67.7	-37.5	0.5

Notes for Table 5:

1. Lumileds maintains a tester tolerance of 0.5% on forward voltage measurements.
2. Junction temperature to back of the PCB.

Typical Electrical Characteristics at Twice the Test Current for LUXEON K White and Royal Blue, Junction Temperature = 85°C

Table 6.

Part Number	Typical Forward Voltage $V_f$ (V)	Test Current (mA)
LXKx-Pxxx-x403	36	87.5
LXKx-Pxxx-xx04(A)	11	350
LXKx-Pxxx-x404	48	87.5
LXKx-Pxxx-xx08(A)	22	350
LXKx-Pxxx-x206	36	175
LXKx-Pxxx-xx12(A)	33	350
LXKx-Pxxx-xx16(A)	44	350
LXKx-Pxxx-xx24(A)	66	350

## Absolute Maximum Ratings

Table 7.

Parameter	Maximum Performance		
	LXKx-Pxxx-x004/x006/x008/ x012/x016/x024	LXKx-Pxxx-x403/x404	LXKx-Pxxx-x206
DC Forward Current (mA)	1050	300	600
Peak Pulsed Forward Current (mA)	1050	300	600
ESD Sensitivity	< 8000V Human Body Model (HBM) Class 3A JESD22-A114-E < 400V Machine Model (MM) Class B JESD22-A115-B		
LED Junction Temperature <sup>(1)</sup>	125°C		
Operating Case Temperature	-40°C - 125°C		
Storage Temperature	-40°C - 125°C		
Reverse Voltage (V)	See Note 2		

Notes for Table 7:

1. Proper current derating must be observed to maintain junction temperature below the maximum.
2. LUXEON Power LEDs are not designed to be driven in reverse bias.

## Electrical Lead Soldering Characteristics

Please refer to Application Brief AB102 for LUXEON K.



# Mechanical Dimensions

LXKx-Pxxx-xxx3

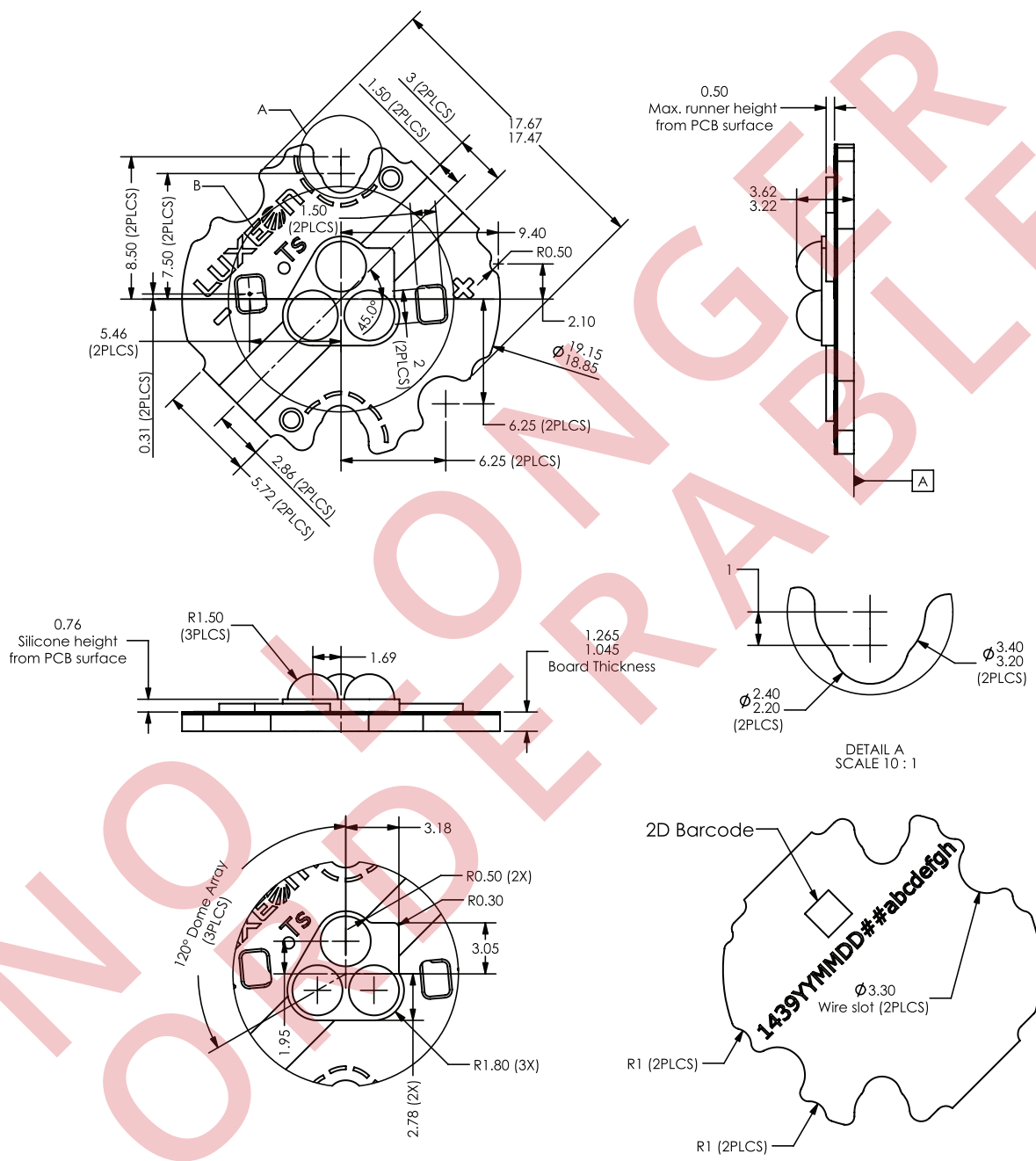


Figure 1. Dimensions for LXKx-Pxxx-xxx3.

Notes for Figure 1:

1. All dimensions are in millimeters.

# LXKx-Pxxx-xxx4(A)

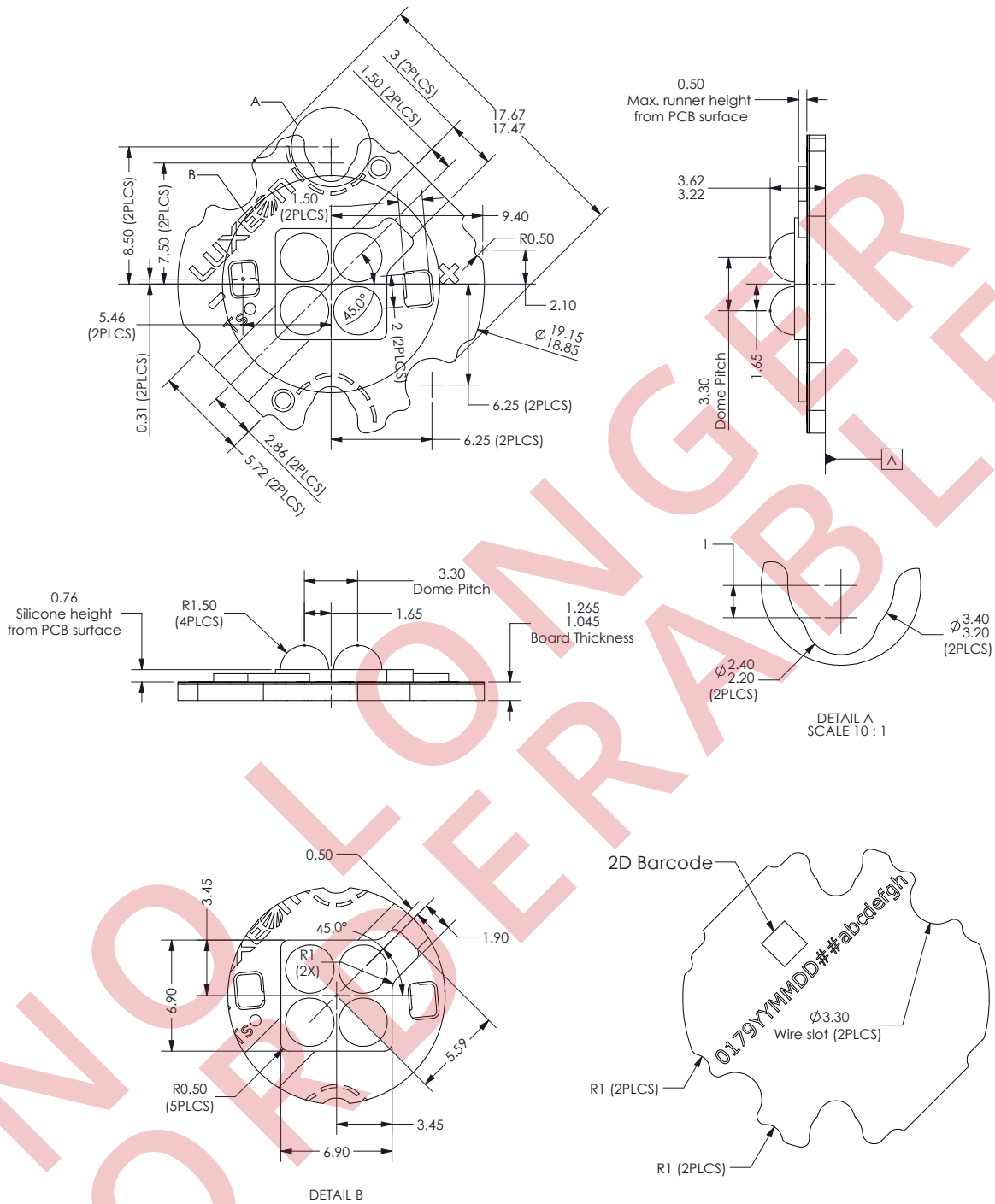


Figure 2. Dimensions for LXKx-Pxxx-xxx4(A).

Notes for Figure 2:

1. All dimensions are in millimeters.

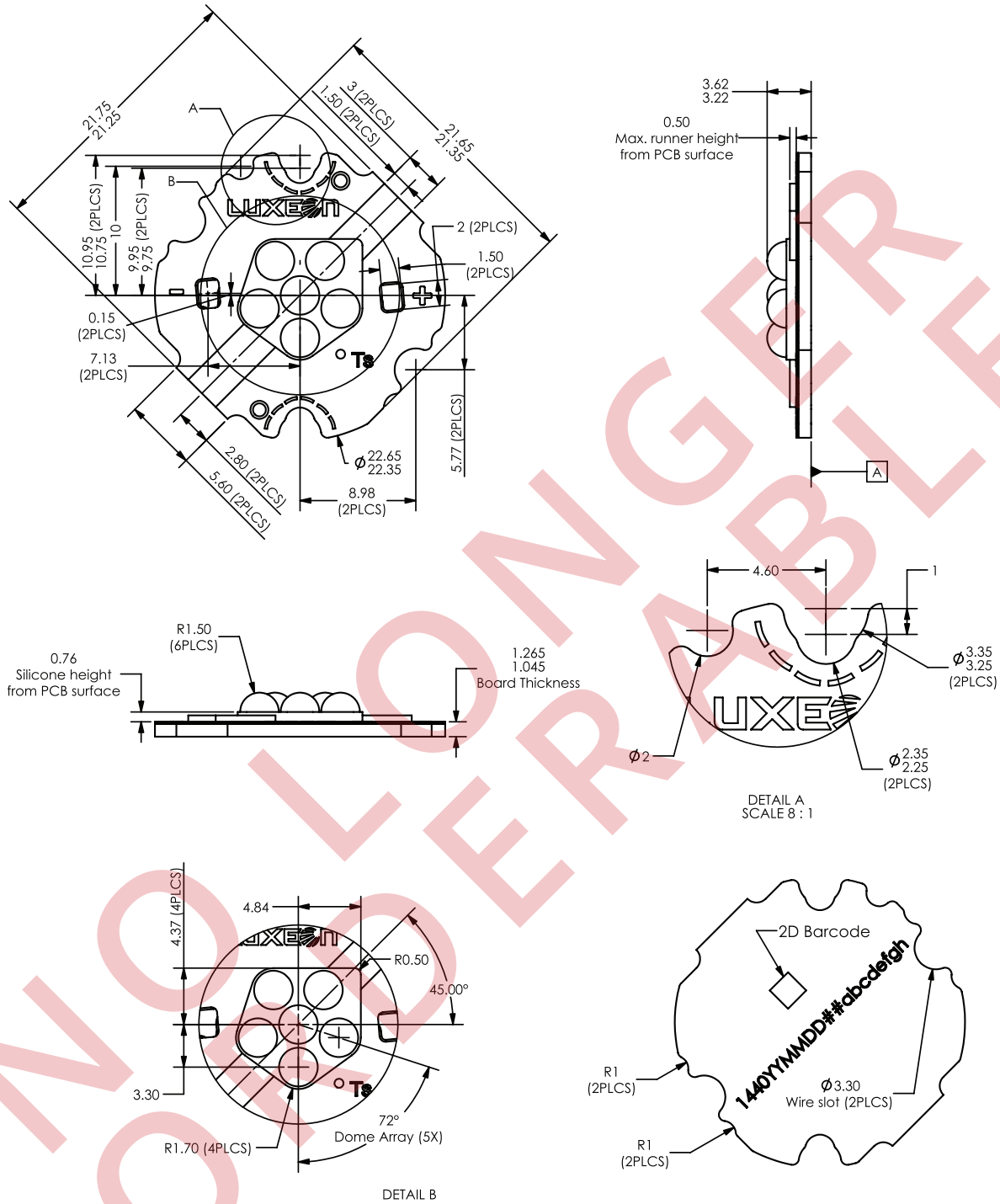


Figure 3. Dimensions for LXKx-Pxxx-xxx6.

Notes for Figure 3:

1. All dimensions are in millimeters.

# LXKx-Pxxx-xx08(A)

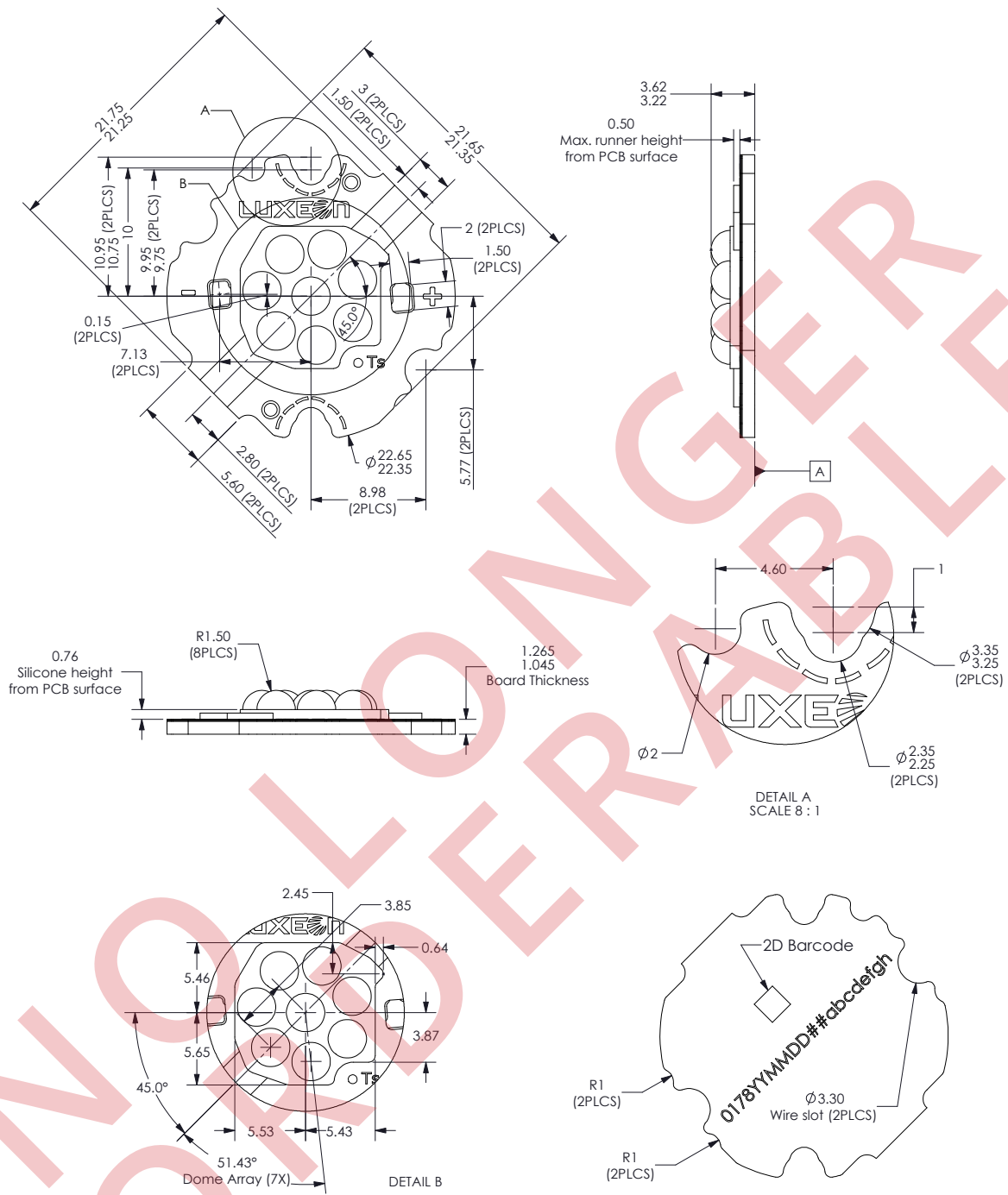


Figure 4. Dimensions for LXKx-Pxxx-xx08(A).

Notes for Figure 4:

1. All dimensions are in millimeters.

# LXKx-Pxxx-xx12(A)

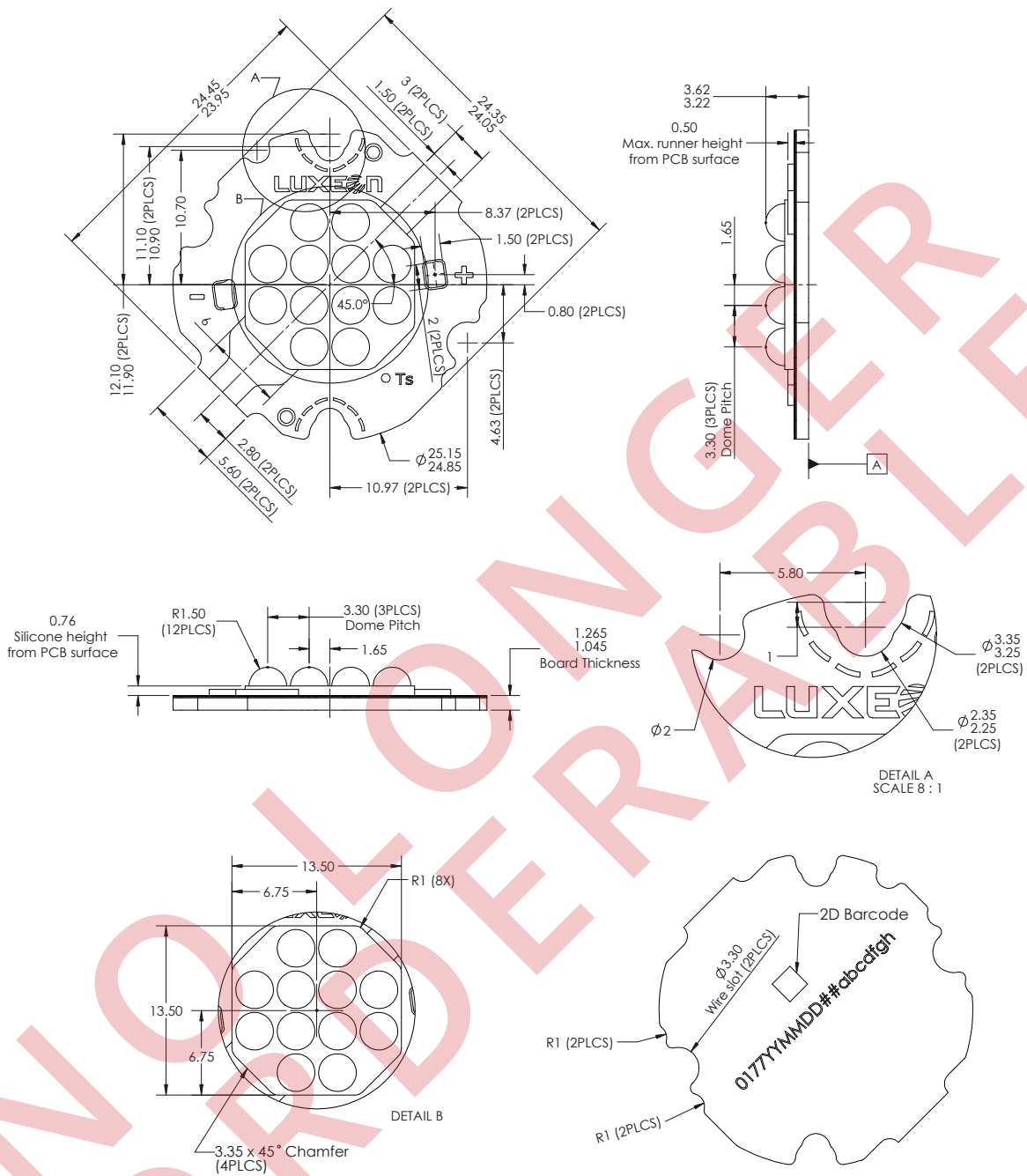


Figure 5. Dimensions for LXKx-Pxxx-xx12(A).

Notes for Figure 5:

1. All dimensions are in millimeters.

# LXKx-Pxxx-xx16(A)

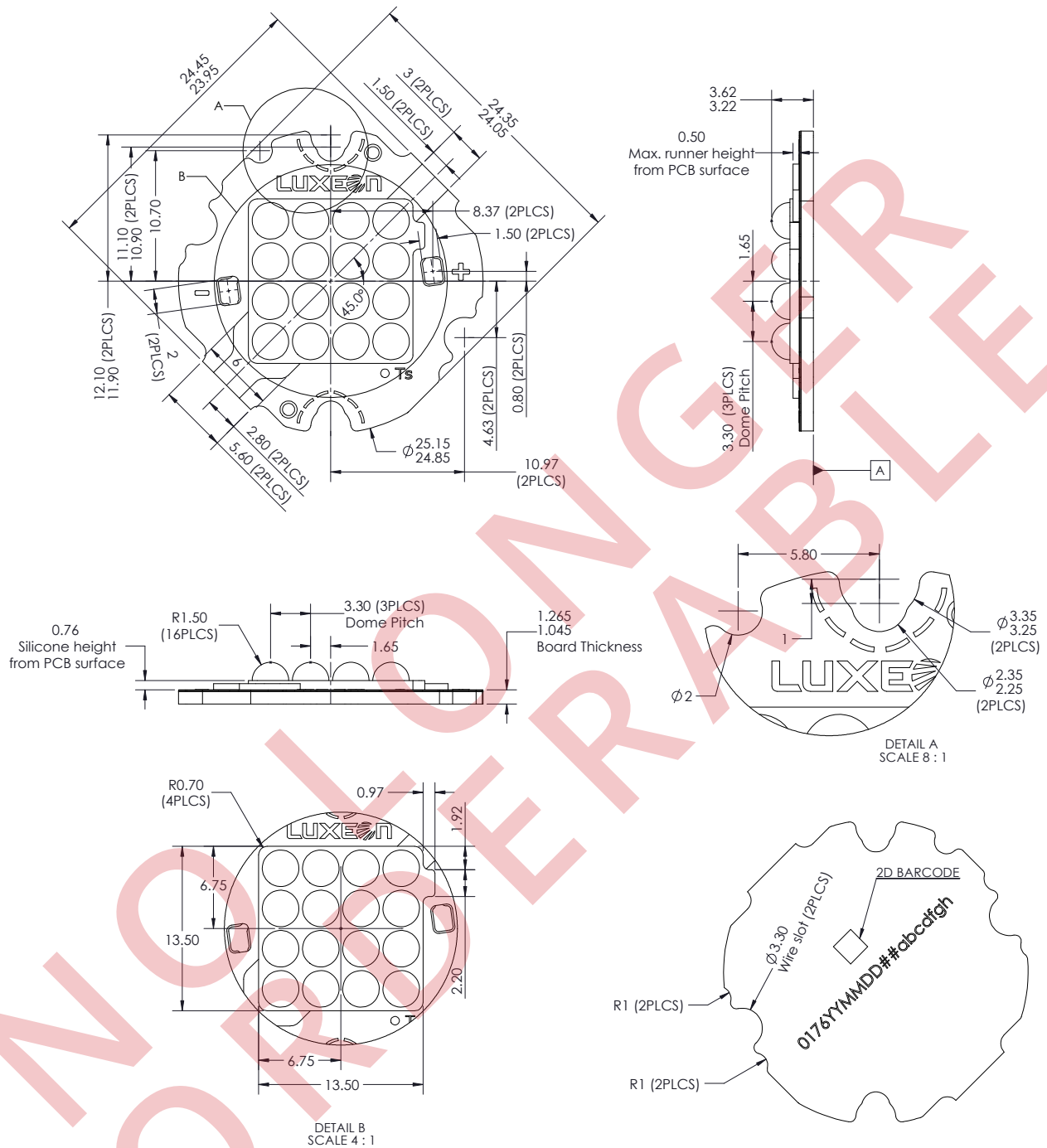
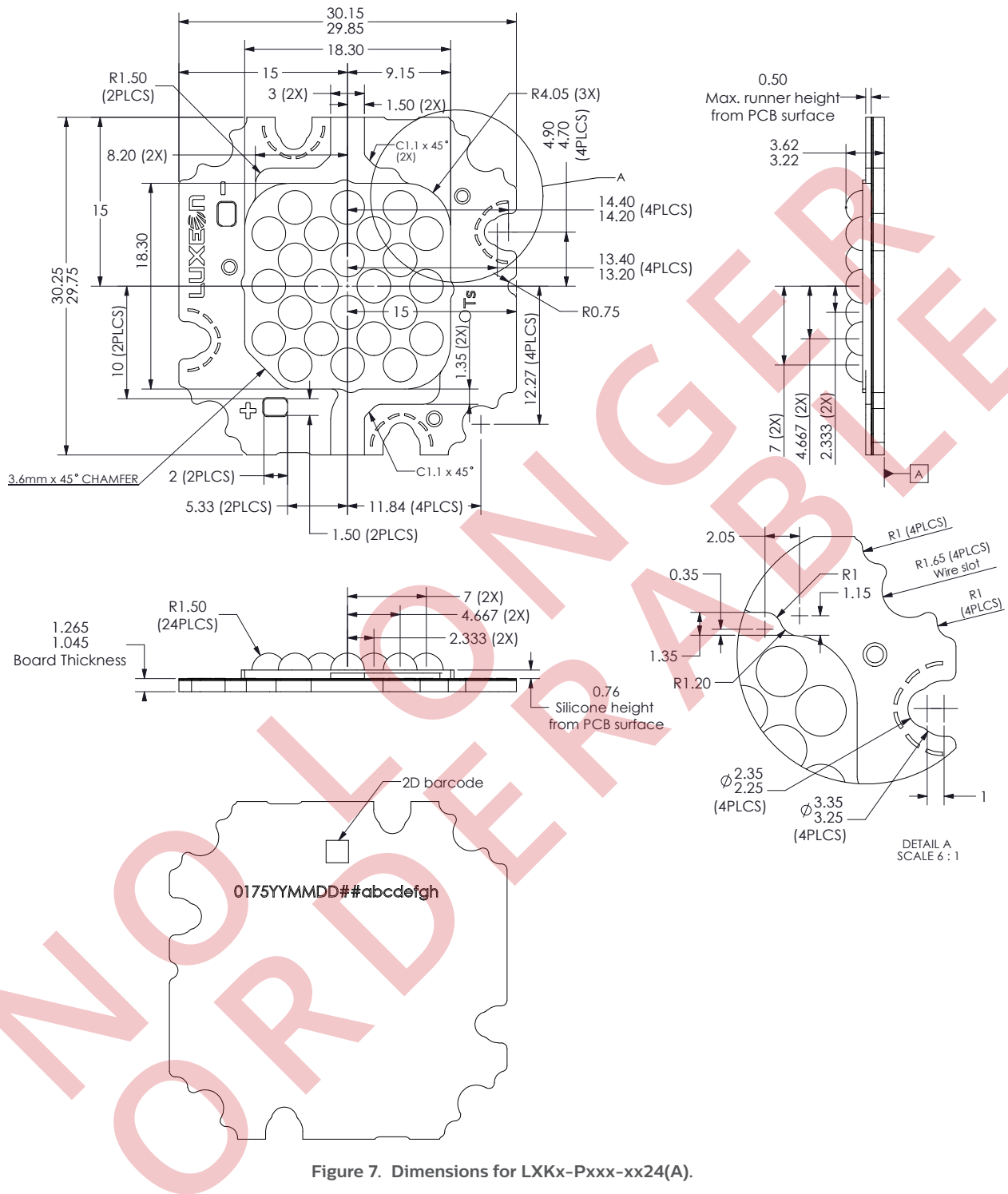


Figure 6. Dimensions for LXKx-Pxxx-xx16(A).

Notes for Figure 6:

1. All dimensions are in millimeters.

# LXKx-Pxxx-xx24(A)



**Notes for Figure 7:**

1. All dimensions are in millimeters.

# Relative Spectral Distribution vs. Wavelength Characteristics

LXK8-PWxx-xxxx at Test Current, Junction Temperature = 85°C

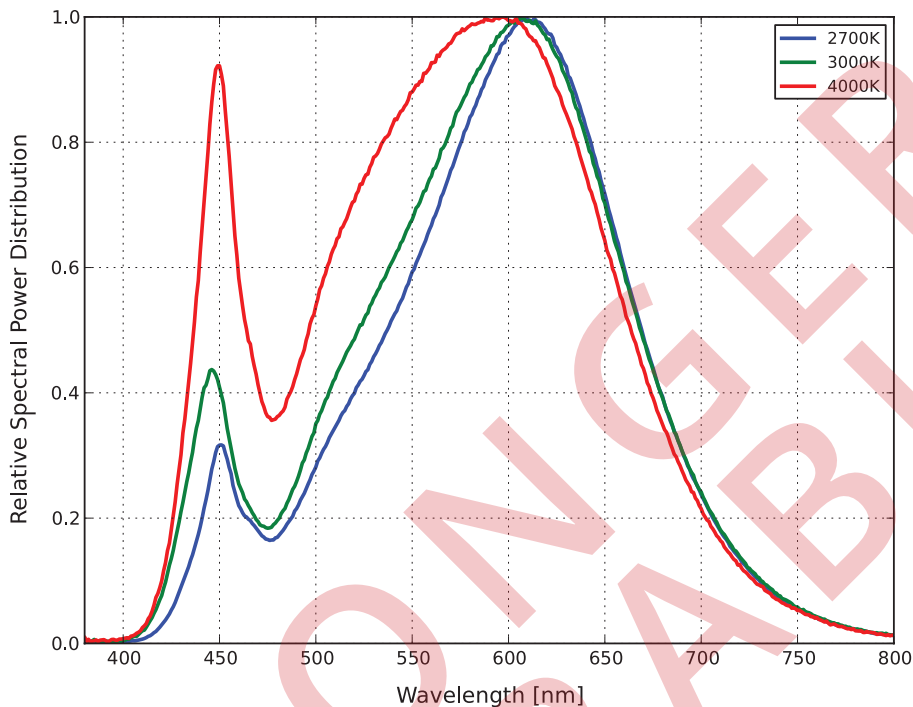


Figure 8. Color spectrum of LXK8-PWxx-xxxx product, integrated measurement.

LXK0-PR04-xxxx (Royal Blue) at Test Current, Junction Temperature = 85°C

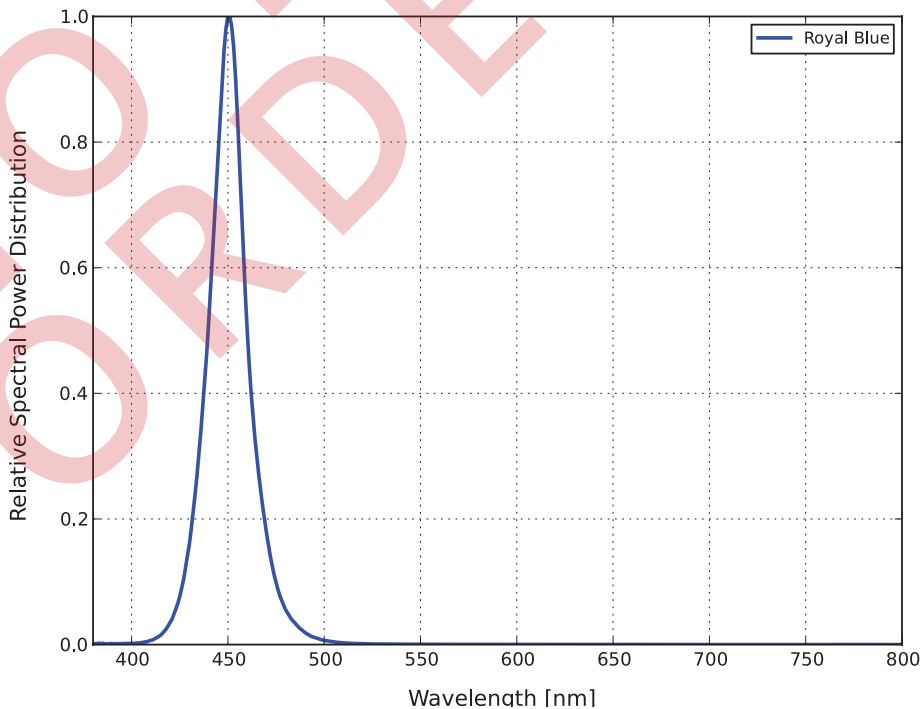


Figure 9. Color spectrum of LXK0-PR04-xxxx product, integrated measurement.



# Light Output Characteristics over Temperature

All LUXEON K Products at Test Current, Normalized at Test Current,  
Junction Temperature = 85°C

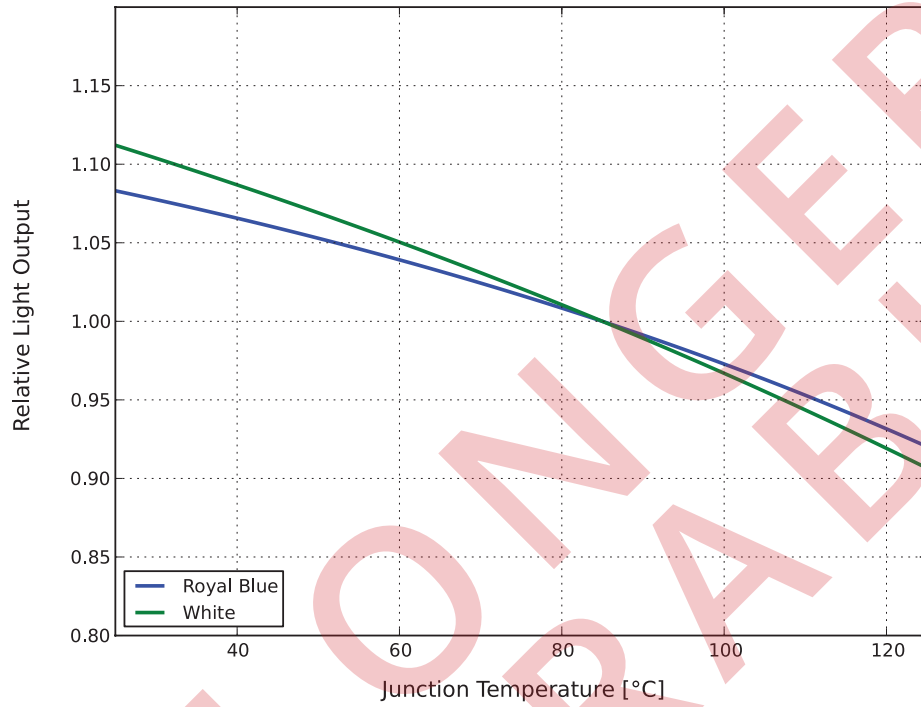


Figure 10. Typical relative flux vs. junction temperature at test current.

# Typical Forward Current Characteristics

Typical Forward Current vs. Forward Voltage LUXEON K 3-up Products, Junction Temperature = 85°C

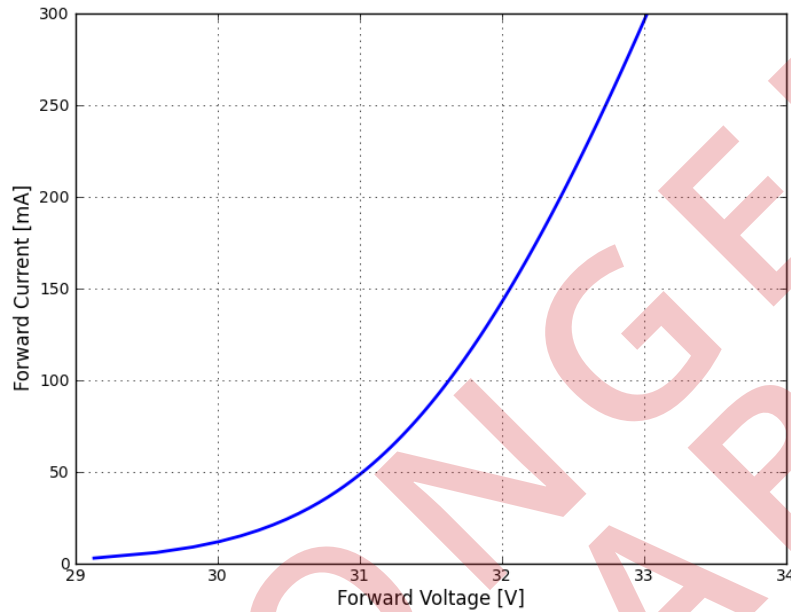


Figure 11. Forward current vs. forward voltage for LXXKx-Pxxx-x403 products.

Typical Forward Current vs. Forward Voltage LUXEON K 4-up Products, Junction Temperature = 85°C

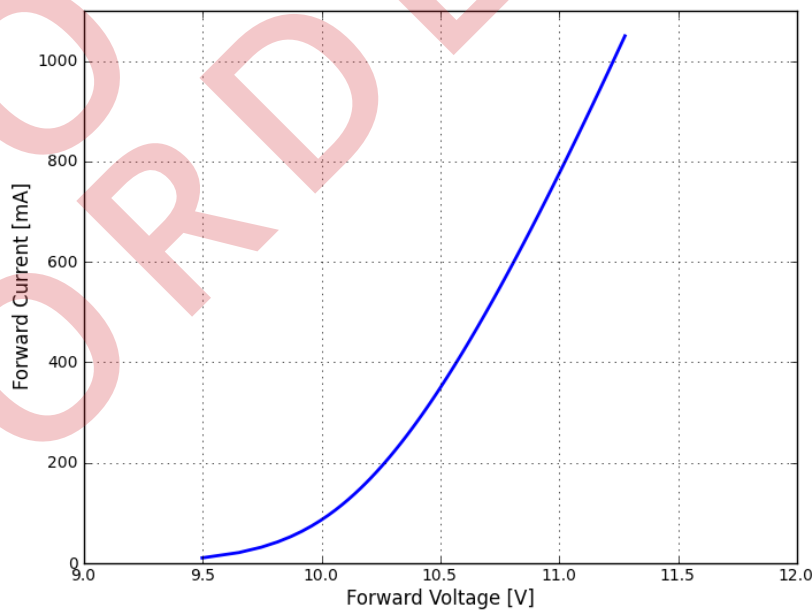


Figure 12. Forward current vs. forward voltage for LXXKx-Pxxx-0004(A) products.

Note for Figure 12:

1. LUXEON LXXKx-Pxxx-0004(A) is single junction product.

Typical Forward Current vs. Forward Voltage LUXEON K 4-up High-Voltage Products, Junction Temperature = 85°C

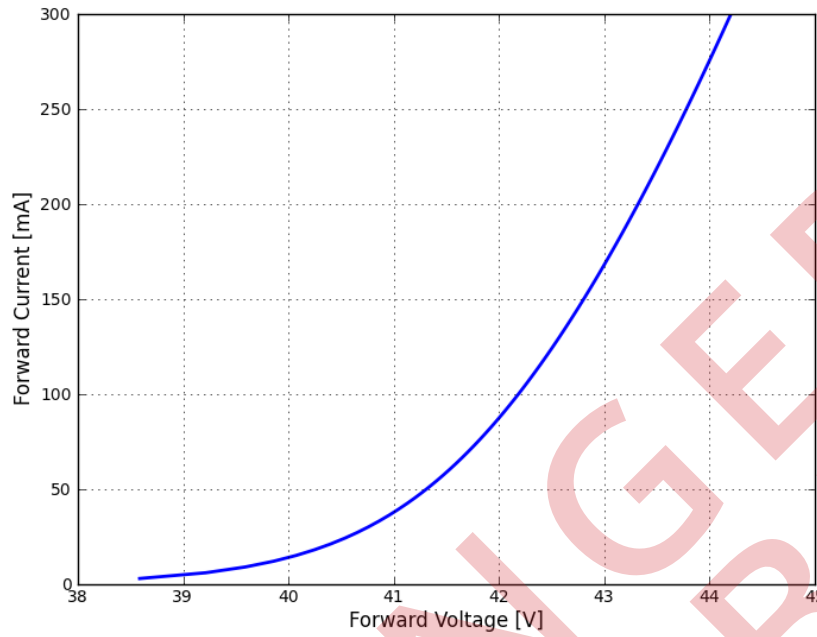


Figure 13. Forward current vs. forward voltage for LXXx-Pxxx-x404 products.

Typical Forward Current vs. Forward Voltage LUXEON K 6-up High-Voltage Products, Junction Temperature = 85°C

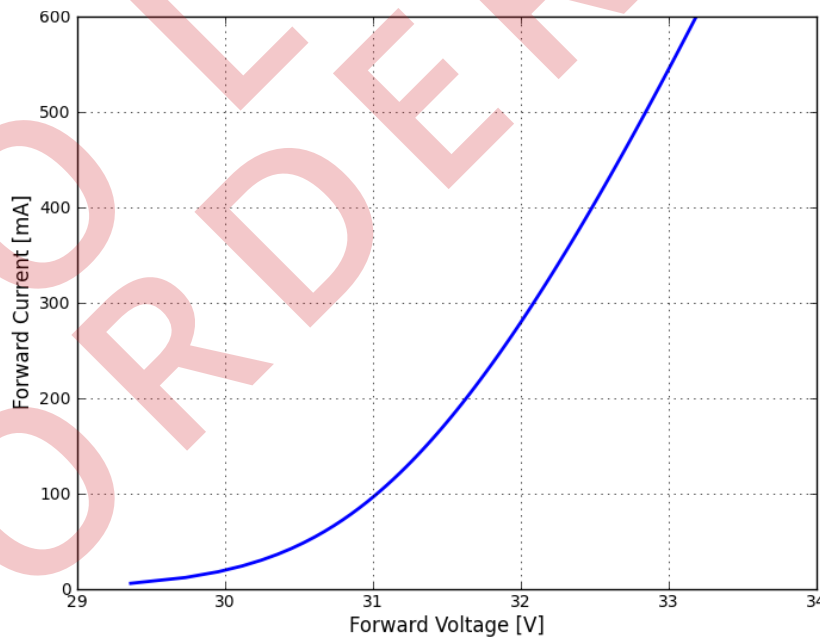


Figure 14. Forward current vs. forward voltage for LXXx-Pxxx-x206 products.

## Typical Forward Current vs. Forward Voltage LUXEON K 8-up Products, Junction Temperature = 85°C

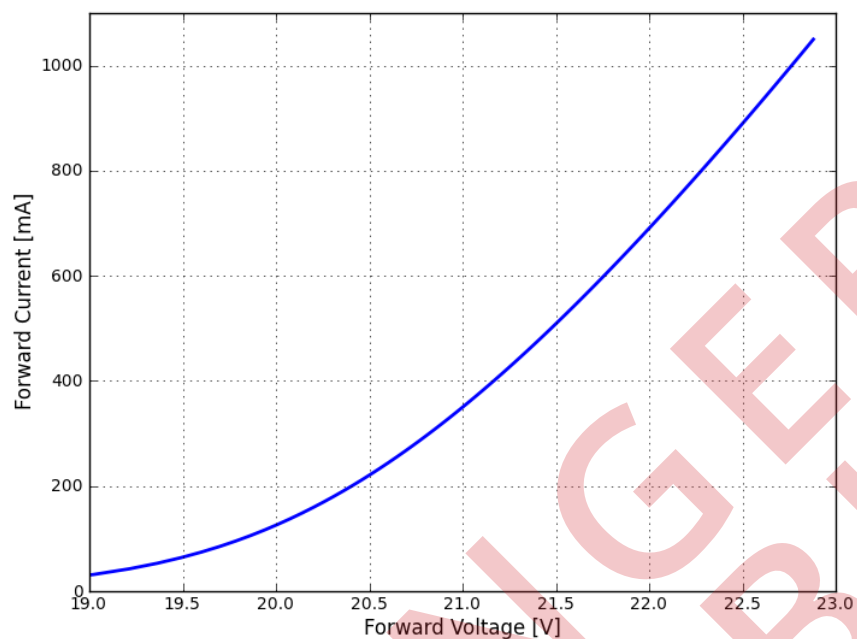


Figure 15. Forward current vs. forward voltage for LXXx-Pxxx-xxx8(A) products.

## Typical Forward Current vs. Forward Voltage LUXEON K 12-up Products, Junction Temperature = 85°C

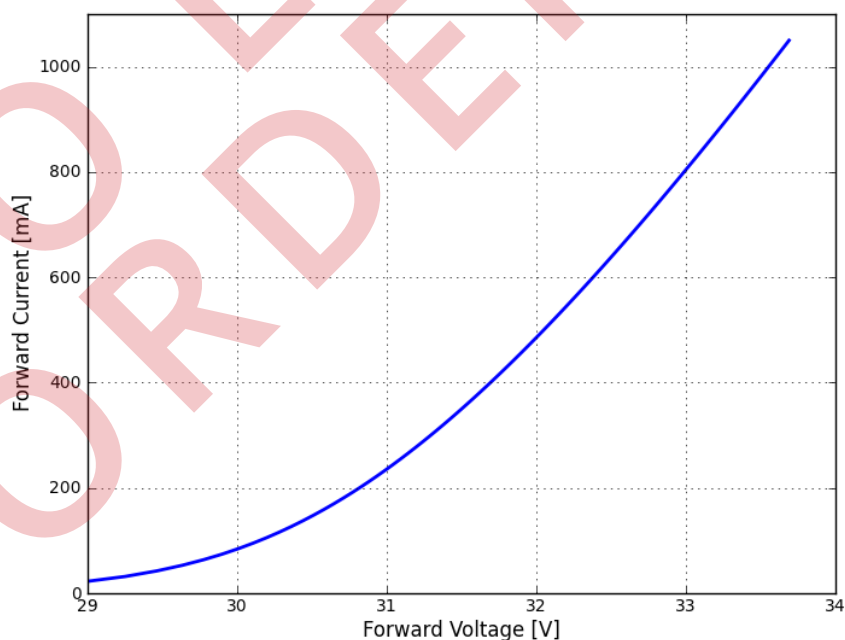


Figure 16. Forward current vs. forward voltage for LXXx-Pxxx-xx12(A) products.

## Typical Forward Current vs. Forward Voltage LUXEON K 16-up Products, Junction Temperature = 85°C

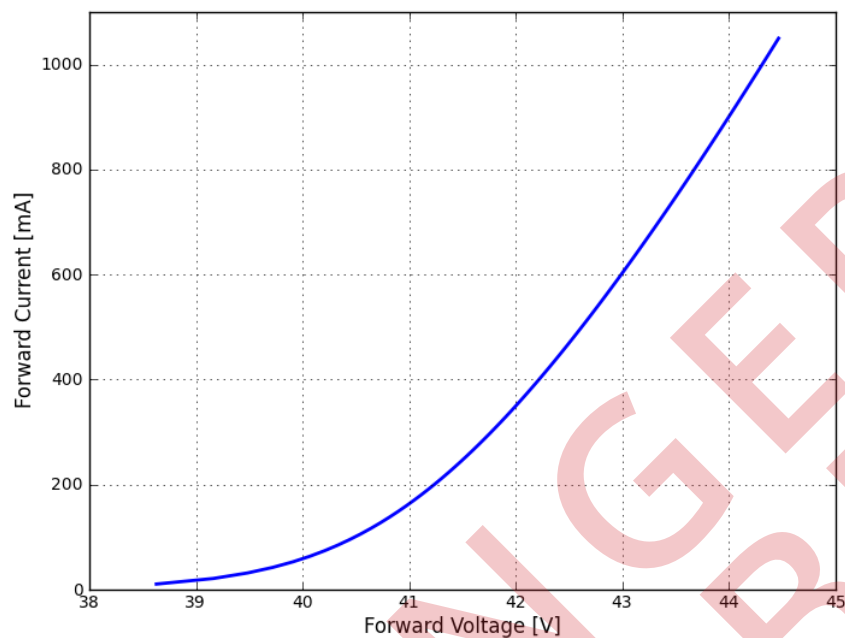


Figure 17. Forward current vs. forward voltage for LXXx-Pxxx-xx16(A) products.

## Typical Forward Current vs. Forward Voltage LUXEON K 24-up Products, Junction Temperature = 85°C

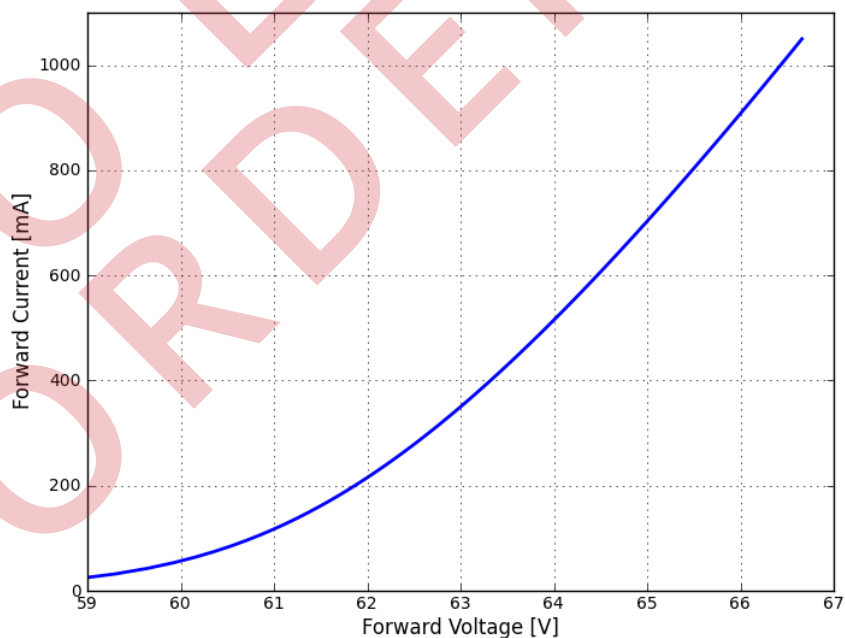


Figure 18. Forward current vs. forward voltage for LXXx-Pxxx-xx24(A) products.

Typical Relative Luminous Flux vs. Forward Current for ALL LUXEON K Product Configurations Without Multi-Junction Die, Junction Temperature 85°C

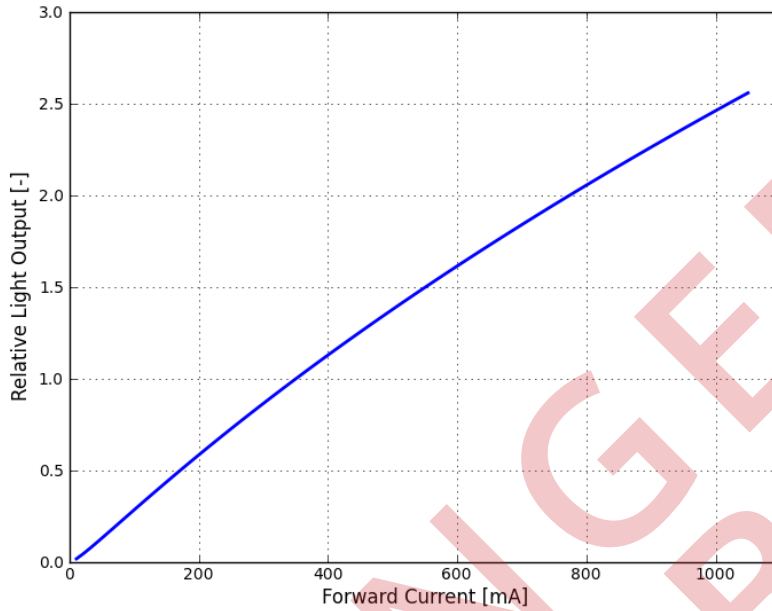


Figure 19. Typical relative luminous flux vs. forward current.

Typical Relative Luminous Flux vs. Forward Current for ALL LUXEON K Product Configurations With Multi-Junction Die, Junction Temperature 85°C

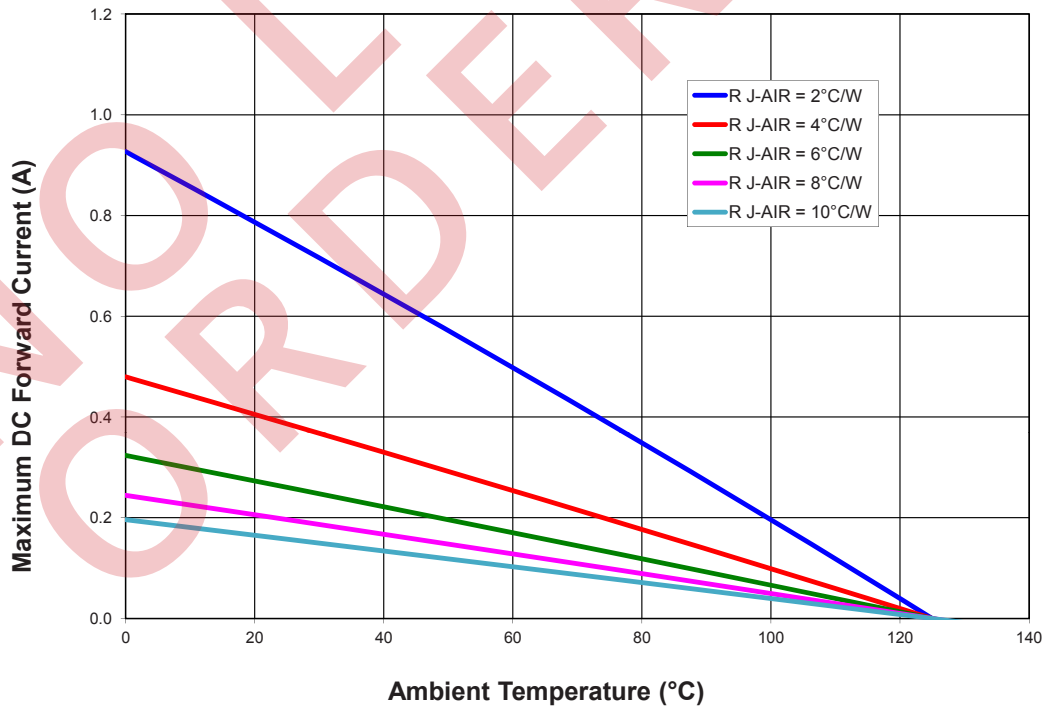


Figure 20. Typical relative luminous flux vs. forward current for LUXEON K (LXKx-PWxx-0206) with multi-junction die.

Typical Relative Luminous Flux vs. Forward Current for LUXEON K  
LXKx-PWxx-0403/LXKx-PWxx-0404 Product Configurations With Multi-Junction  
Die, Junction Temperature 85°C

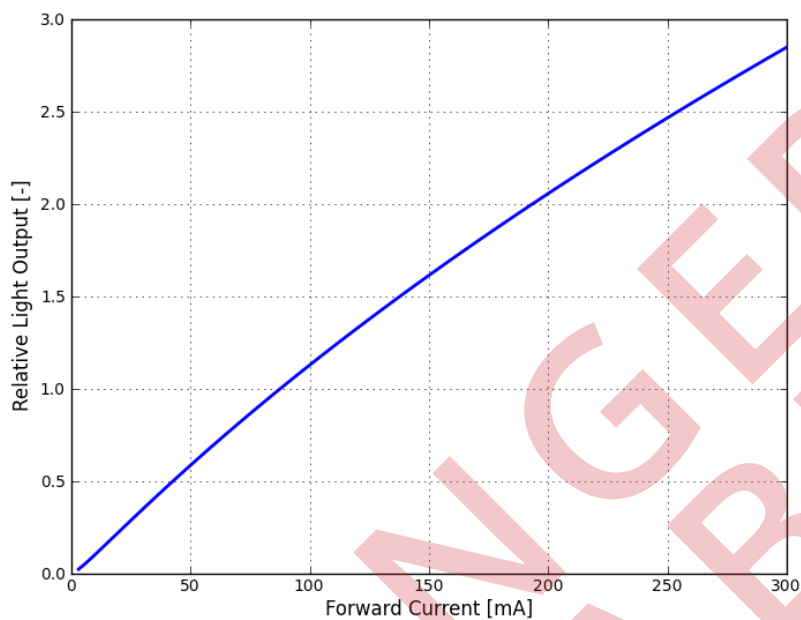


Figure 21. Typical relative luminous flux vs. forward current  
for LUXEON K (LXKx-PWxx-0403/LXKx-PWxx-0404) with multi-junction die.

# Typical Radiation Patterns

## Typical Spatial Radiation Pattern for LUXEON K

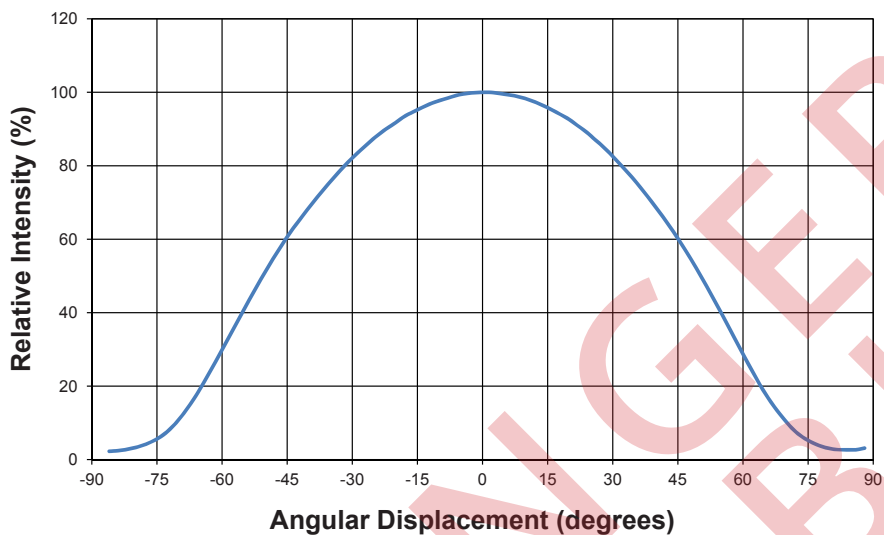


Figure 22. Typical representative spatial radiation pattern for LUXEON K.

## Packaging on Trays

LUXEON K products will be securely packaged in trays.

Table 8.

Part Number	Tray Dimensions	Quantity per Tray	Number of Trays per Box
LXKx-Pxxx-xxx3 LXKx-Pxxx-xxx4(A)	315mm width x 135.9mm length x 12.11mm depth	40	10
LXKx-Pxxx-xxx6 LXKx-Pxxx-xxx8(A)	315mm width x 135.9mm length x 12.11mm depth	27	10
LXKx-Pxxx-xx12(A) LXKx-Pxxx-xx16(A)	315mm width x 135.9mm length x 12.11mm depth	24	10
LXKx-Pxxx-xx24	315mm width x 135.9mm length x 12.11mm depth	21	10



## Tray Dimensions – LXKx-Pxxx-xxx3 and LXKx-Pxxx-xxx4(A)

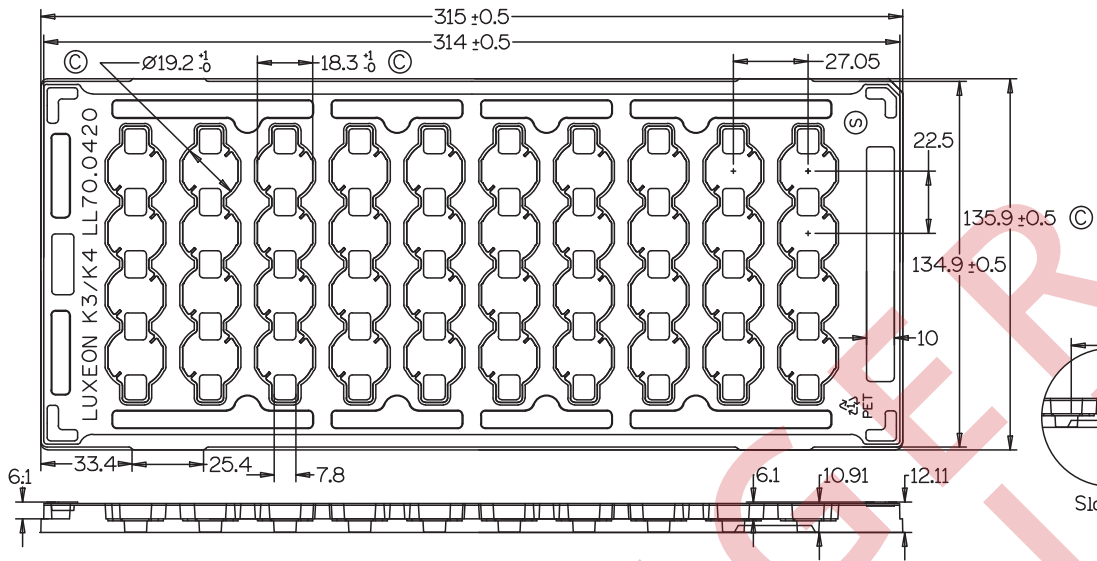


Figure 23.

## Tray Dimensions – LXKx-Pxxx-xxx6 and LXKx-Pxxx-xxx8(A)

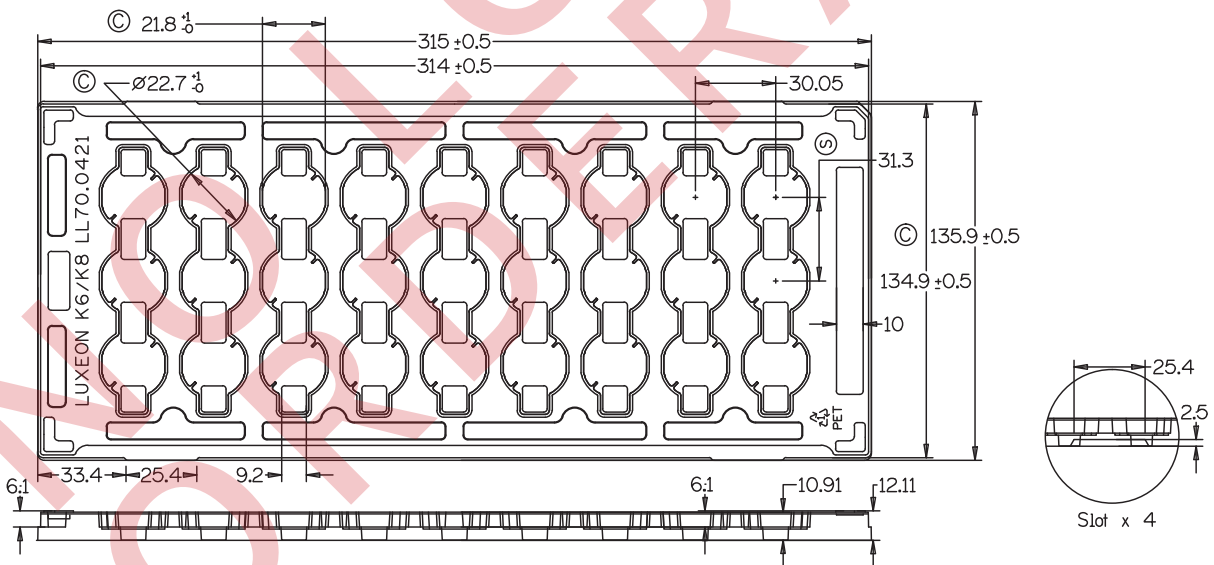


Figure 24.

## Tray Dimensions – LXXKx-Pxxx-xx12(A) and LXXKx-Pxxx-xx16(A)

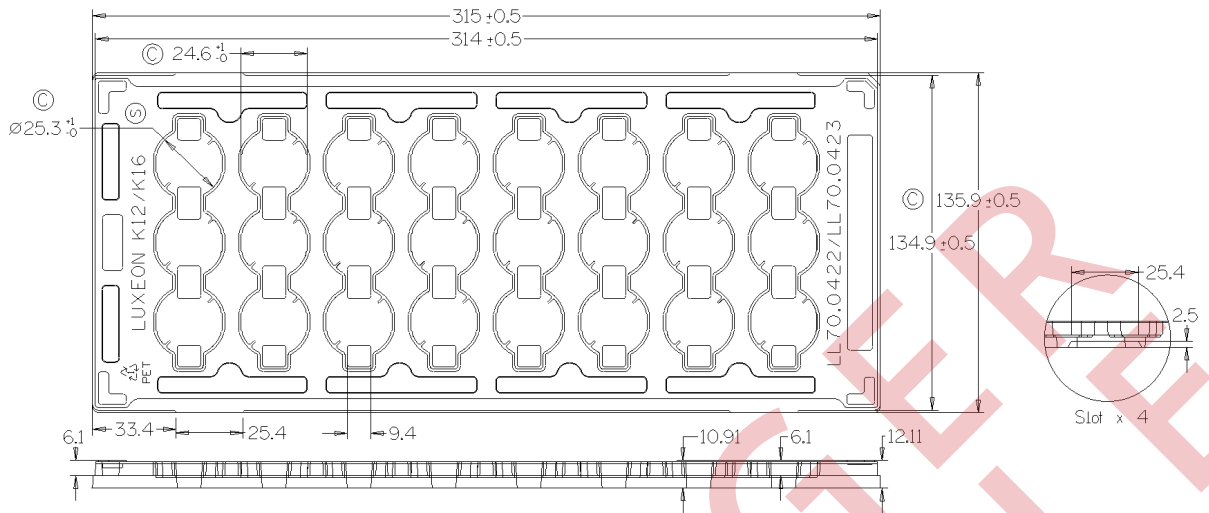


Figure 25.

## Tray Dimensions – LXXKx-Pxxx-xx24(A)

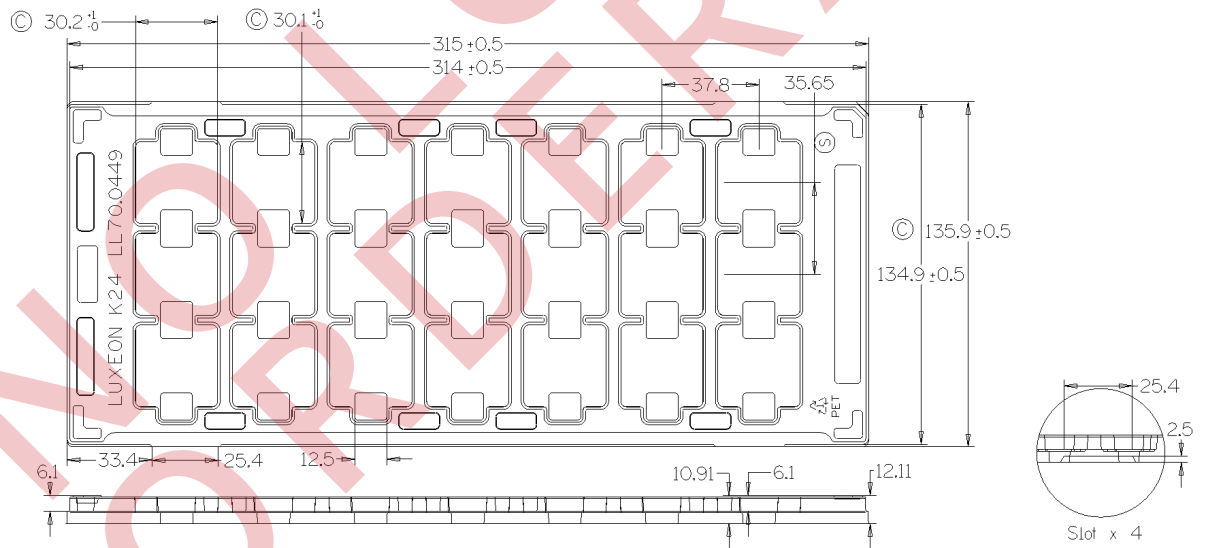


Figure 26.

# LUXEON K White ANSI Color Bin Definition

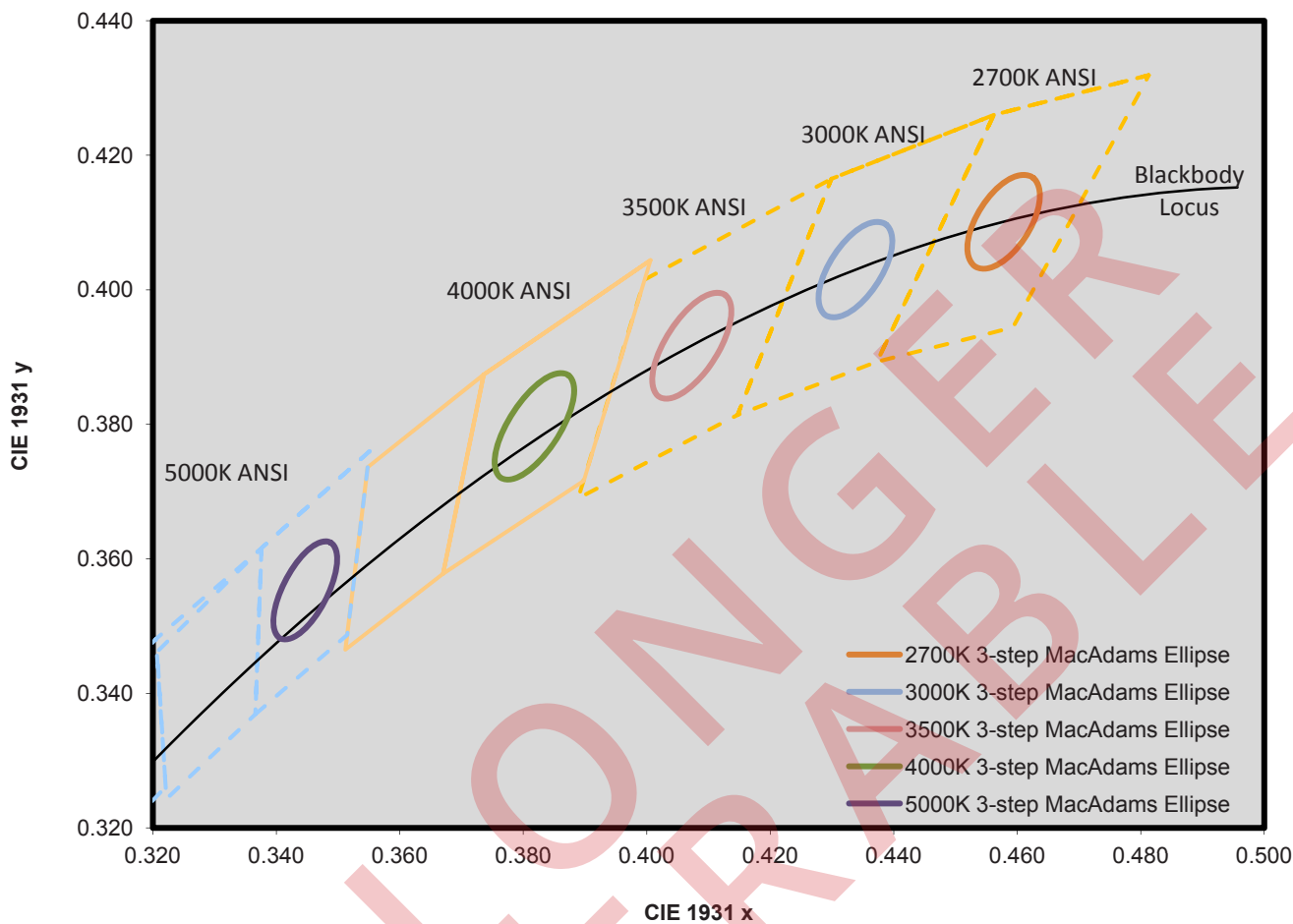


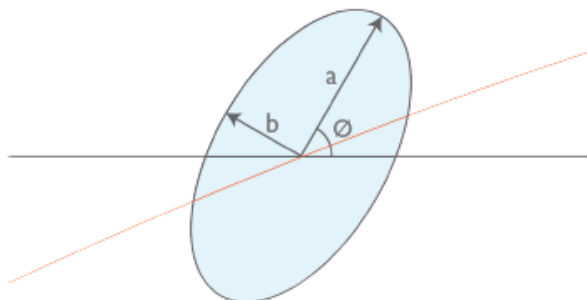
Figure 27. Graph of LUXEON K ANSI bin color definition.

Table 9. LUXEON K 3-step MacAdams Ellipse Color Definition

Nominal ANSI CCT	2700K	3000K	3500K	4000K	5000K
	Single 3-step MacAdam ellipse	Single 3-step MacAdam ellipse	Single 3-step MacAdam ellipse	Single 3-step MacAdam ellipse	Single 3-step MacAdam ellipse
Center Point (cx, cy) <sup>1)</sup>	(0.4578, 0.4101)	(0.4338, 0.4030)	(0.4073, 0.3917)	(0.3818, 0.3797)	(0.3447, 0.3553)
Major Axis, a	0.0081	0.00834	0.00927	0.00939	0.00822
Minor Axis, b	0.0042	0.00408	0.00414	0.00402	0.00354
Ellipse rotation angle	53.7°	53.22°	54.00°	53.72°	59.62°

Note for Table 9:

1. Lumileds maintains a tester tolerance of  $\pm 0.005$  on x, y color coordinates.



## About Lumileds

Lumileds is the global leader in light engine technology. The company develops, manufactures and distributes groundbreaking LEDs and automotive lighting products that shatter the status quo and help customers gain and maintain a competitive edge.

With a rich history of industry “firsts,” Lumileds is uniquely positioned to deliver lighting advancements well into the future by maintaining an unwavering focus on quality, innovation and reliability.

To learn more about our portfolio of light engines, visit [lumileds.com](http://lumileds.com).

NO LONGER AVAILABLE



©2016 Lumileds Holding B.V. All rights reserved.  
LUXEON is a registered trademark of the Lumileds Holding B.V.  
in the United States and other countries.

[lumileds.com](http://lumileds.com)

Neither Lumileds Holding B.V. nor its affiliates shall be liable for any kind of loss of data or any other damages, direct, indirect or consequential, resulting from the use of the provided information and data. Although Lumileds Holding B.V. and/or its affiliates have attempted to provide the most accurate information and data, the materials and services information and data are provided “as is,” and neither Lumileds Holding B.V. nor its affiliates warrants or guarantees the contents and correctness of the provided information and data. Lumileds Holding B.V. and its affiliates reserve the right to make changes without notice. You as user agree to this disclaimer and user agreement with the download or use of the provided materials, information and data.