

LUXEON XF-3535L

Turnkey solution on a flexible substrate with optimized performance and uniform light distribution

LUXEON XF-3535L is a fully integrated solution optimized for lighting applications requiring flexible linear LED arrays that can easily fit into any luminaire housing form factor. The turnkey solution minimizes time to market and simplifies supply chain by reducing optical and mechanical design efforts. Combined with LUXEON 3535L, LUXEON XF-3535L provides the same powerful optical performance guaranteed by LUXEON LEDs.



FEATURES AND BENEFITS

1000–5000 lumen strips enabling efficacies of up to 157 lm/W

A full range of CCT/CRI offerings: 2200–5700K with 70–90CRI minimums

Complete integrated solution guarantees simplified supply chain and faster time to market

Backside adhesive for attachment to heat sink allows for ease of mounting and assembly

Available with solder terminals or push-in wire connectors for easy electrical connection

UL-recognized component [E335118]

5 year limited warranty

PRIMARY APPLICATIONS

Downlights

Indoor Area Lighting

Specialty Lighting

Table of Contents

| | |
|---|-----------|
| General Product Information | 2 |
| Test Conditions | 2 |
| Part Number Nomenclature | 2 |
| Lumen Maintenance | 2 |
| Environmental Compliance | 2 |
| Performance Characteristics | 3 |
| Product Selection Guide | 3 |
| Configurations | 4 |
| Electrical and Thermal Characteristics | 4 |
| Absolute Maximum Ratings | 5 |
| Characteristic Curves | 6 |
| Spectral Power Distribution Characteristics | 6 |
| Radiation Pattern Characteristics | 6 |
| Color Bin Definition | 7 |
| Mechanical Dimensions | 8 |
| L235-xyyAHLGBAAC0 | 8 |
| L235-xyyAHLGBBAC0 | 9 |
| L235-xyyAHLCB AAC0 | 10 |
| L235-xyyAHL CBBAC0 | 11 |
| L235-xyyAML F5WAD0 | 12 |
| L235-xyyAULM5JAI0 | 13 |
| IDC Connector | 14 |
| Assembly Precautions | 14 |
| Packaging Information | 15 |
| Reel Dimensions | 15 |
| Appendix | 16 |
| Flexible Substrate Material | 16 |
| TIM/PSA Material | 16 |
| Connectors | 16 |

General Product Information

Test Conditions

The nominal current for LUXEON XF-3535L is 100mA x the number of parallel LED strings. A LUXEON XF-3535L configuration with 6 parallel strings has a nominal drive current of 600mA.

The LEDs on LUXEON XR-3535L are tested and specified individually at a junction temperature of 25°C with a drive current of 100mA and pulse duration of 20ms. The minimum, typical, and maximum performance numbers for LUXEON XF-3535L in this datasheet are derived from the individual LED measurements. The confidence level on all minimum and maximum performance parameters in this datasheet is 99% to within individual LED tolerance.

Part Number Nomenclature

Part numbers for LUXEON XF-3535L follow the convention below:

L 2 3 5 – **A A B B A C L D E F A G 0**

Where:

- A A** – designates nominal ANSI CCT (22=2200K, 27=2700K, 30=3000K, 35=3500K, 40=4000K, 50=5000K, 57=5700K)
- B B** – designates minimum CRI (80=80CRI, 85=90CRI)
- C** – designates number of LEDs per board (H=36, M=56, U=108)
- D** – designates strip length (C=300mm, F=525mm, G=600mm, M=1150mm)
- E** – designates strip width (5=5.25mm, B=10mm)
- F** – designates electrical connectivity (A=tin contacts at same end (36-up), B=two connectors at the same end (36-up), W=two connectors at opposite ends (56-up), J=two connectors at opposite ends (108-up))
- G** – designates typical forward voltage (C=18V, D=21V, I=36V)

Therefore, the following part number is used for a LUXEON XF-3535L 3000K 80CRI, 56 LEDs per board, 525mm length, 5.25mm width, two connectors at opposite ends and forward voltage of 21V:

L 2 3 5 – **3 0 8 0 A M L F 5 W A D 0**

Lumen Maintenance

Please contact your local Sales Representative or Lumileds Technical Solutions Manager for more information about the long-term performance of this product.

Environmental Compliance

Lumileds LLC is committed to providing environmentally friendly products to the solid-state lighting market. LUXEON XF-3535L is compliant to the European Union directives on the restriction of hazardous substances in electronic equipment, namely the RoHS Directive 2011/65/EU and REACH Regulation (EC) 1907/2006. Lumileds LLC will not intentionally add the following restricted materials to its products: lead, mercury, cadmium, hexavalent chromium, polybrominated biphenyls (PBB) or polybrominated diphenyl ethers (PBDE).

Performance Characteristics

Product Selection Guide

Table 1. Product performance of LUXEON XF-3535L at 100mA/LED^[1], T_j=25°C.

| NOMINAL CCT | MINIMUM CRI ^[2] | LUMINOUS FLUX ^[3, 5] (lm) | | TYPICAL LUMINOUS EFFICACY (lm/W) | TYPICAL FORWARD VOLTAGE (V _f) | TEST CURRENT (mA) | PART NUMBER ^[4] |
|-------------|----------------------------|--------------------------------------|---------|----------------------------------|---|-------------------|----------------------------|
| | | MINIMUM | TYPICAL | | | | |
| 2200K | 80 | 1080 | 1206 | 112 | 18 | 600 | L235-2280AHLxByACO |
| | | 1680 | 1876 | 112 | 21 | 800 | L235-2280AMLf5WAD0 |
| | | 3240 | 3618 | 112 | 36 | 900 | L235-2280AULM5JAIO |
| 2700K | 80 | 1368 | 1476 | 137 | 18 | 600 | L235-2780AHLxByACO |
| | | 2128 | 2296 | 137 | 21 | 800 | L235-2780AMLf5WAD0 |
| | | 4104 | 4428 | 137 | 36 | 900 | L235-2780AULM5JAIO |
| | 85 | 1080 | 1224 | 113 | 18 | 600 | L235-2790AHLxByACO |
| | | 1680 | 1904 | 113 | 21 | 800 | L235-2790AMLf5WAD0 |
| | | 3240 | 3672 | 113 | 36 | 900 | L235-2790AULM5JAIO |
| 3000K | 80 | 1368 | 1512 | 140 | 18 | 600 | L235-3080AHLxByACO |
| | | 2128 | 2352 | 140 | 21 | 800 | L235-3080AMLf5WAD0 |
| | | 4104 | 4536 | 140 | 36 | 900 | L235-3080AULM5JAIO |
| 3500K | 80 | 1512 | 1548 | 143 | 18 | 600 | L235-3580AHLxByACO |
| | | 2352 | 2408 | 143 | 21 | 800 | L235-3580AMLf5WAD0 |
| | | 4536 | 4644 | 143 | 36 | 900 | L235-3580AULM5JAIO |
| 4000K | 80 | 1512 | 1584 | 147 | 18 | 600 | L235-4080AHLxByACO |
| | | 2352 | 2464 | 147 | 21 | 800 | L235-4080AMLf5WAD0 |
| | | 4536 | 4752 | 147 | 36 | 900 | L235-4080AULM5JAIO |
| | 85 | 1224 | 1368 | 127 | 18 | 600 | L235-4090AHLxByACO |
| | | 1904 | 2128 | 127 | 21 | 800 | L235-4090AMLf5WAD0 |
| | | 3672 | 4104 | 127 | 36 | 900 | L235-4090AULM5JAIO |
| 5000K | 80 | 1512 | 1692 | 157 | 18 | 600 | L235-5080AHLxByACO |
| | | 2352 | 2632 | 157 | 21 | 800 | L235-5080AMLf5WAD0 |
| | | 4536 | 5076 | 157 | 36 | 900 | L235-5080AULM5JAIO |
| 5700K | 80 | 1512 | 1548 | 143 | 18 | 600 | L235-5780AHLxByACO |
| | | 2352 | 2408 | 143 | 21 | 800 | L235-5780AMLf5WAD0 |
| | | 4536 | 4644 | 143 | 36 | 900 | L235-5780AULM5JAIO |
| | 70 | 1584 | 1692 | 157 | 18 | 600 | L235-5770AHLxByACO |
| | | 2464 | 2632 | 157 | 21 | 800 | L235-5770AMLf5WAD0 |
| | | 4752 | 5076 | 157 | 36 | 900 | L235-5770AULM5JAIO |

Notes for Table 1:

1. The nominal drive current is 100 mA x the number of parallel strings in LUXEON XF-3535L. See table 2 for physical configurations.
2. Lumileds maintains a tolerance of ±2 on CRI measurements for individual LUXEON 3535L LEDs.
3. Lumileds maintains a tolerance of ±7.5% on luminous flux measurements for individual LUXEON 3535L LEDs.
4. "x" and "y" are part number attributes as described in the Part Number Nomenclature section: here x/y = G/A, G/B, C/A, or C/B.
5. Maximum luminous flux non-uniformity (i.e. LED to LED luminous flux variation) = 15 %.

Configurations

Table 2. Configurations for LUXEON XF-3535L.

| PART NUMBER ⁽¹⁾ | LED COUNT | FLEX STRIP LENGTH (MM) | FLEX STRIP WIDTH (MM) | LED PITCH ^(2, 3) (MM) | ELECTRICAL CONFIGURATION | ELECTRICAL CONNECTION |
|----------------------------|-----------|------------------------|-----------------------|----------------------------------|-----------------------------|-----------------------|
| L235-xyyAHLGBAAC0 | 36 | 600 | 10 | 16.67 | 6 Parallel x 6 Series LEDs | Tin Contacts |
| L235-xyyAHLGBBAC0 | 36 | 600 | 10 | 16.67 | 6 Parallel x 6 Series LEDs | IDC Connectors |
| L235-xyyAHLCB AAC0 | 36 | 300 | 10 | 8 | 6 Parallel x 6 Series LEDs | Tin Contacts |
| L235-xyyAHLCB BAC0 | 36 | 300 | 10 | 8 | 6 Parallel x 6 Series LEDs | IDC Connectors |
| L235-xyyAMLF5WAD0 | 56 | 525 | 5.25 | 8.45 | 8 Parallel x 7 Series LEDs | IDC Connectors |
| L235-xyyAULM5JAIO | 108 | 1150 | 5.25 | 10 | 9 Parallel x 12 Series LEDs | IDC Connectors |

Notes for Table 2:

1. "x" and "y" are part number attributes as described in the Part Number Nomenclature section.
2. LED pitch is measured from optical center to optical center of neighboring LED packages.
3. LED pitch varies for 300mm and 600mm length flex strips. See mechanical drawings for details.
4. See Appendix for details on electrical connectors.

Electrical and Thermal Characteristics

Table 3. Electrical and thermal characteristics for LUXEON XF-3535L at 100mA/LED, T_j=25°C.

| PART NUMBER ⁽¹⁾ | FORWARD VOLTAGE (V _f) ⁽²⁾ | | | TYPICAL TEMPERATURE COEFFICIENT OF FORWARD VOLTAGE (mV/°C) ⁽³⁾ | TYPICAL THERMAL RESISTANCE JUNCTION TO SOLDER PAD (°C/W) ^(4, 5) | |
|----------------------------|--|---------|---------|---|--|------------------------------|
| | MINIMUM | TYPICAL | MAXIMUM | | R _{θ_{J-S}} | R _{θ_{S-B}} |
| L235-xyyAHLGBzACO | 17.4 | 18 | 18.6 | -9 | 0.69 | 0.69 |
| L235-xyyAHLCBzACO | 17.4 | 18 | 18.6 | -9 | 0.69 | 0.83 |
| L235-xyyAMLF5WAD0 | 20.3 | 21 | 21.7 | -10.5 | 0.45 | 0.54 |
| L235-xyyAULM5JAIO | 34.8 | 36 | 37.2 | -18 | 0.23 | 0.28 |

Notes for Table 3:

1. "x," "y" and "z" are part number attributes as described in the Part Number Nomenclature section.
1. Lumileds maintains a tolerance of ±0.1V on forward voltage measurements.
2. Measured between 25°C and 85°C.
3. LED ΔV_f/ΔT_j measured between T_j = 25°C and T_j = 85°C.
4. R_{θ_{J-S}} specified from peak LED junction to T_s (thermal contact point) next to LED. See Application Brief AB203 for details.
5. R_{θ_{S-B}} specified from TS (thermal contact point) next to LED, to bottom of flexible adhesive (heat sink).

Absolute Maximum Ratings

Table 4. Absolute maximum ratings for LUXEON XF-3535L.

| PARAMETER | MAXIMUM PERFORMANCE |
|--|--|
| DC Forward Current ^[1] | 200mA x Number of parallel strings |
| Peak Pulsed Forward Current ^[2] | 240mA x Number of parallel strings |
| LED Junction Temperature ^[3] (DC & Pulse) | 125°C |
| ESD Sensitivity | IEC 61000 4-2 Level 1 (±2kV contact/air discharge) |
| Operating Case Temperature ^[4] | -40°C to 85°C |
| Flex Substrate ^[5] | 105°C |
| Storage Temperature | <30°C <65%RH for ≤1year |
| Reverse Voltage ($V_{reverse}$) ^[6, 7] | -5V x Number of series LEDs |
| UL Recognition | LUXEON XF-3535L UL recognized for Class 2 drivers. Substrate and white reflective coating UL94 V0 flammability rated. |
| LED Shear Force | ≥5kgF |

Notes for 4:

1. Ripple current with a frequency of 50–150Hz is allowed, as long as the average of the current waveform is below 200mA/LED, and the maximum of the current waveform is lower than 240mA/LED.
2. At 10% duty cycle and pulse width 10ms.
3. Proper current de-rating must be observed to maintain junction temperature below the maximum.
4. T_s thermal contact point as defined in Application Brief AB203.
5. As per UL746 rating.
6. LUXEON 3535L LEDs are not designed to be driven in reverse bias.
7. At maximum reverse current of 10µA/LED.

Characteristic Curves

Spectral Power Distribution Characteristics

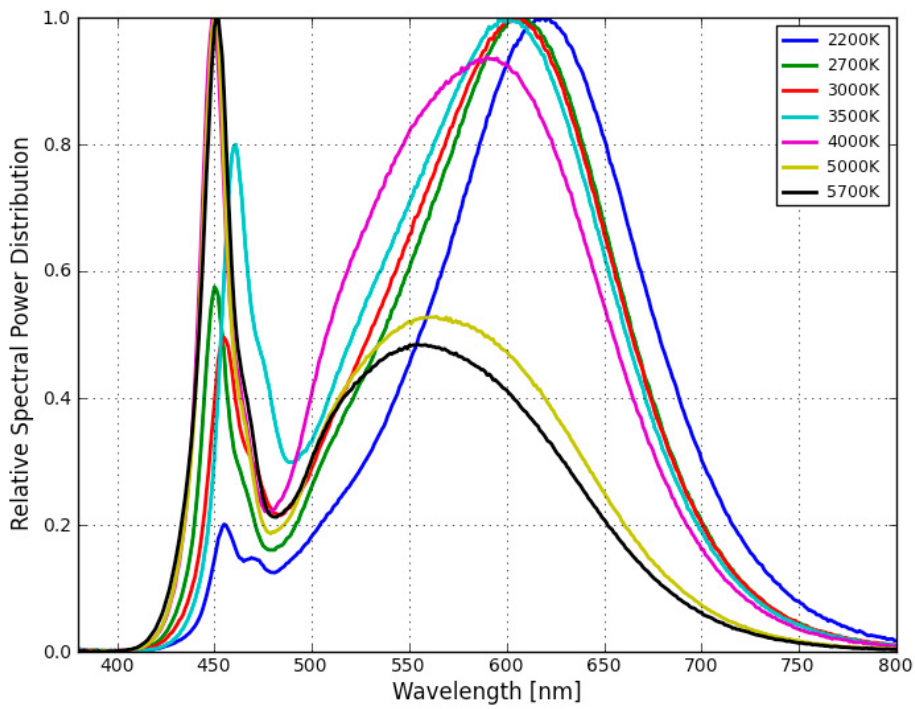


Figure 1: Typical relative intensity vs. wavelength for LUXEON 3535L color spectrum 80CRI at 100mA, $T_j=25^{\circ}\text{C}$.

Radiation Pattern Characteristics



Figure 2: Typical radiation pattern for LUXEON XF-3535L at 100mA/LED, $T_j=25^{\circ}\text{C}$.

Color Bin Definition

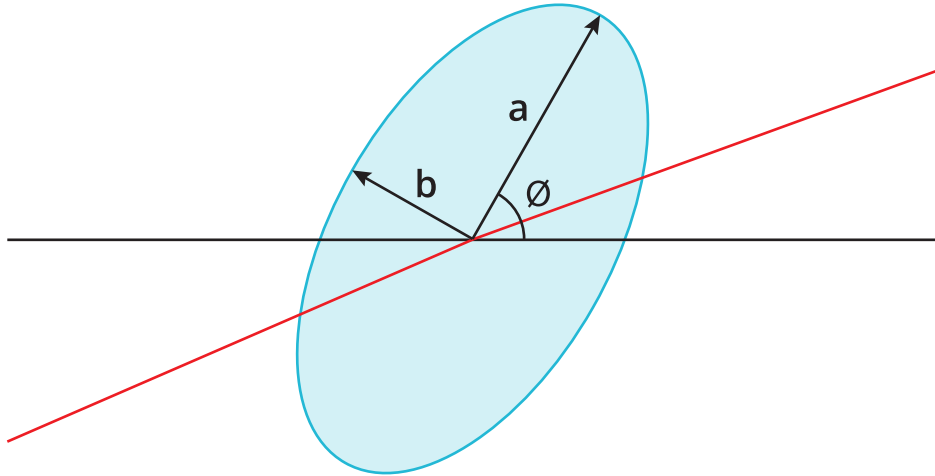


Figure 3: 3-step MacAdam ellipse illustration for Table 5.

Table 5. 3-step MacAdam ellipse color bin definitions for LUXEON XF-3535L.

| NOMINAL CCT | COLOR SPACE | CENTER POINT ^[1] (cx, cy) | MAJOR AXIS, a | MAJOR AXIS, b | ELLIPSE ROTATION ANGLE, θ |
|-------------|-------------------------------|---|------------------|------------------|-------------------------------------|
| 2200 | Single 3-step MacAdam ellipse | (0.5056, 0.4152) | 0.00727 | 0.00400 | 50.8° |
| 2700 | Single 3-step MacAdam ellipse | (0.4578, 0.4101) | 0.00810 | 0.00420 | 53.7° |
| 3000 | Single 3-step MacAdam ellipse | (0.4338, 0.4030) | 0.00834 | 0.00408 | 53.2° |
| 3500 | Single 3-step MacAdam ellipse | (0.4073, 0.3917) | 0.00927 | 0.00414 | 54.0° |
| 4000 | Single 3-step MacAdam ellipse | (0.3818, 0.3797) | 0.00939 | 0.00402 | 53.7° |
| 5000 | Single 3-step MacAdam ellipse | (0.3447, 0.3553) | 0.00822 | 0.00354 | 59.6° |
| 5700 | Single 3-step MacAdam ellipse | (0.3287, 0.3417) | 0.00746 | 0.00320 | 59.1° |

Notes for Table 5:

1. Lumileds maintains a tolerance of ± 0.01 on x and y color coordinates.

Mechanical Dimensions

L235-xyyAHLGBAAC0

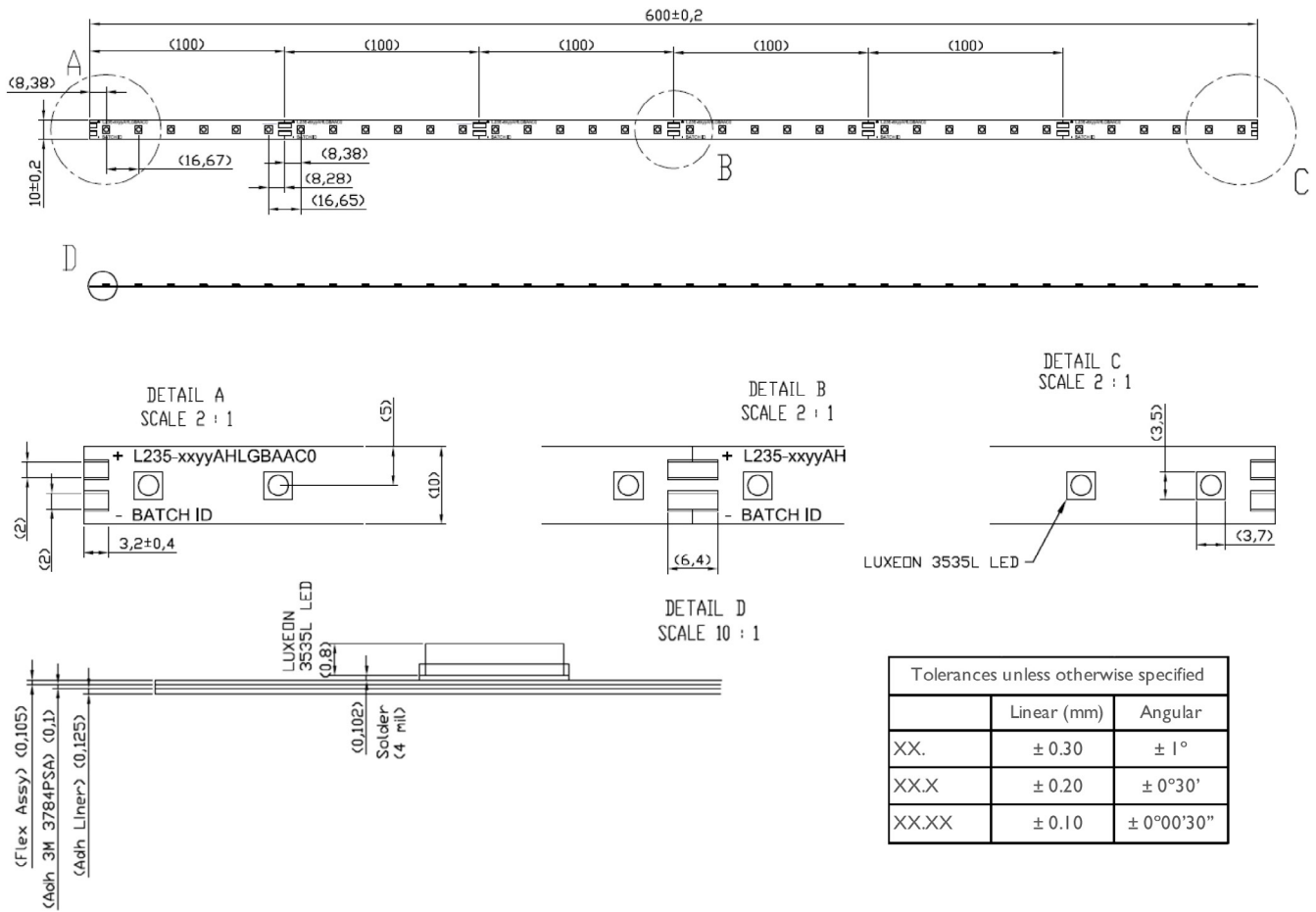


Figure 4: Mechanical dimensions for L235-xyyAHLGBAAC0.

- Notes for Figure 4:
1. Drawings are not to scale.
 2. All dimensions are in millimeters.

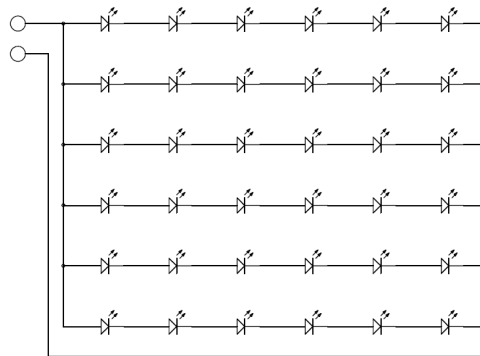


Figure 5: Electrical circuit diagram for L235-xyyAHLGBAAC0.

L235-xyyAHLGBBAC0

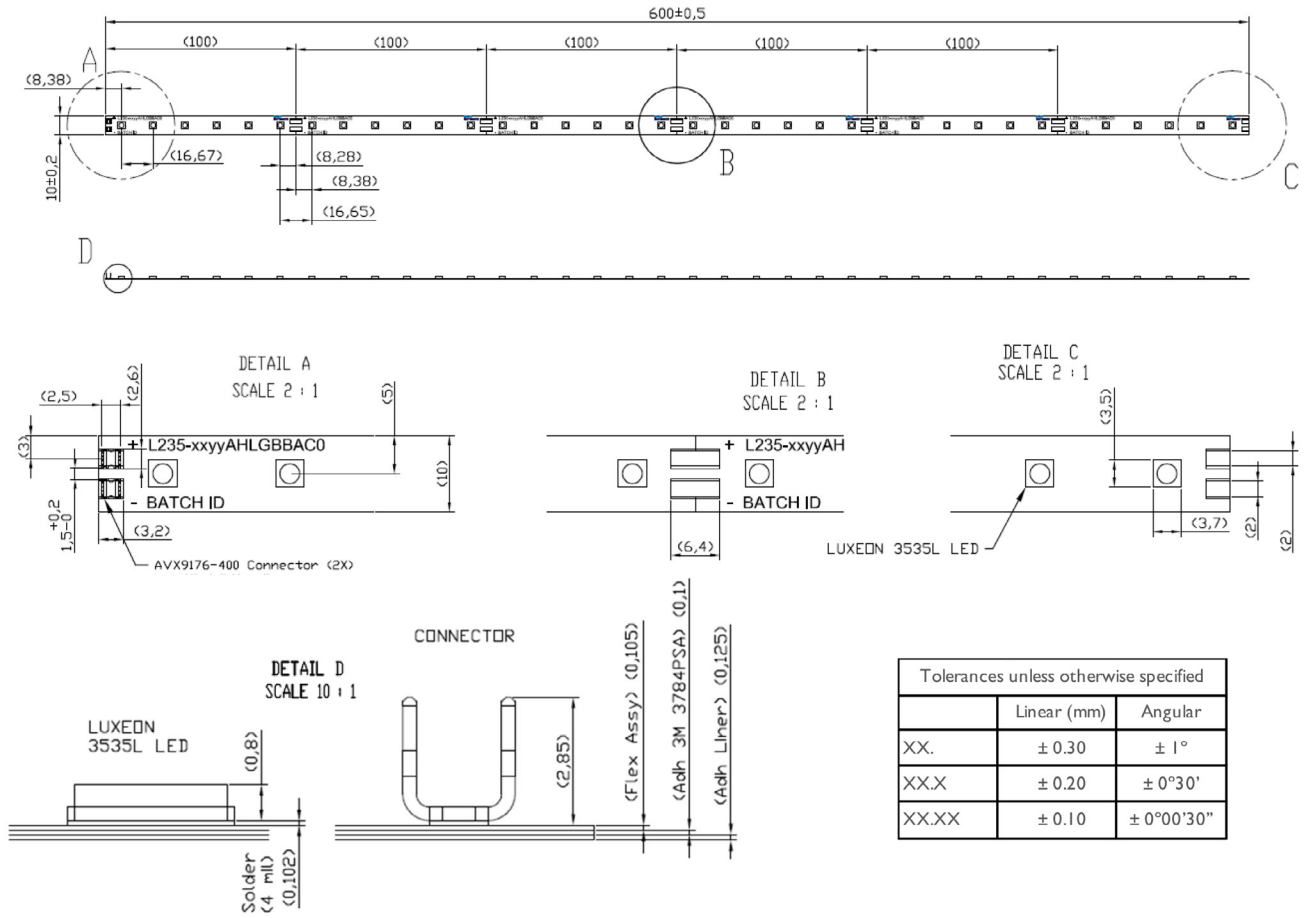


Figure 6: Mechanical dimensions for L235-xyyAHLGBBAC0.

- Notes for Figure 6:
1. Drawings are not to scale.
 2. All dimensions are in millimeters.

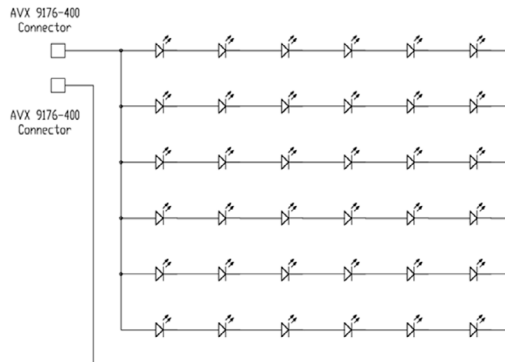


Figure 7: Electrical circuit diagram for L235-xyyAHLGBBAC0.

L235-xyyyAHL CBAAC0

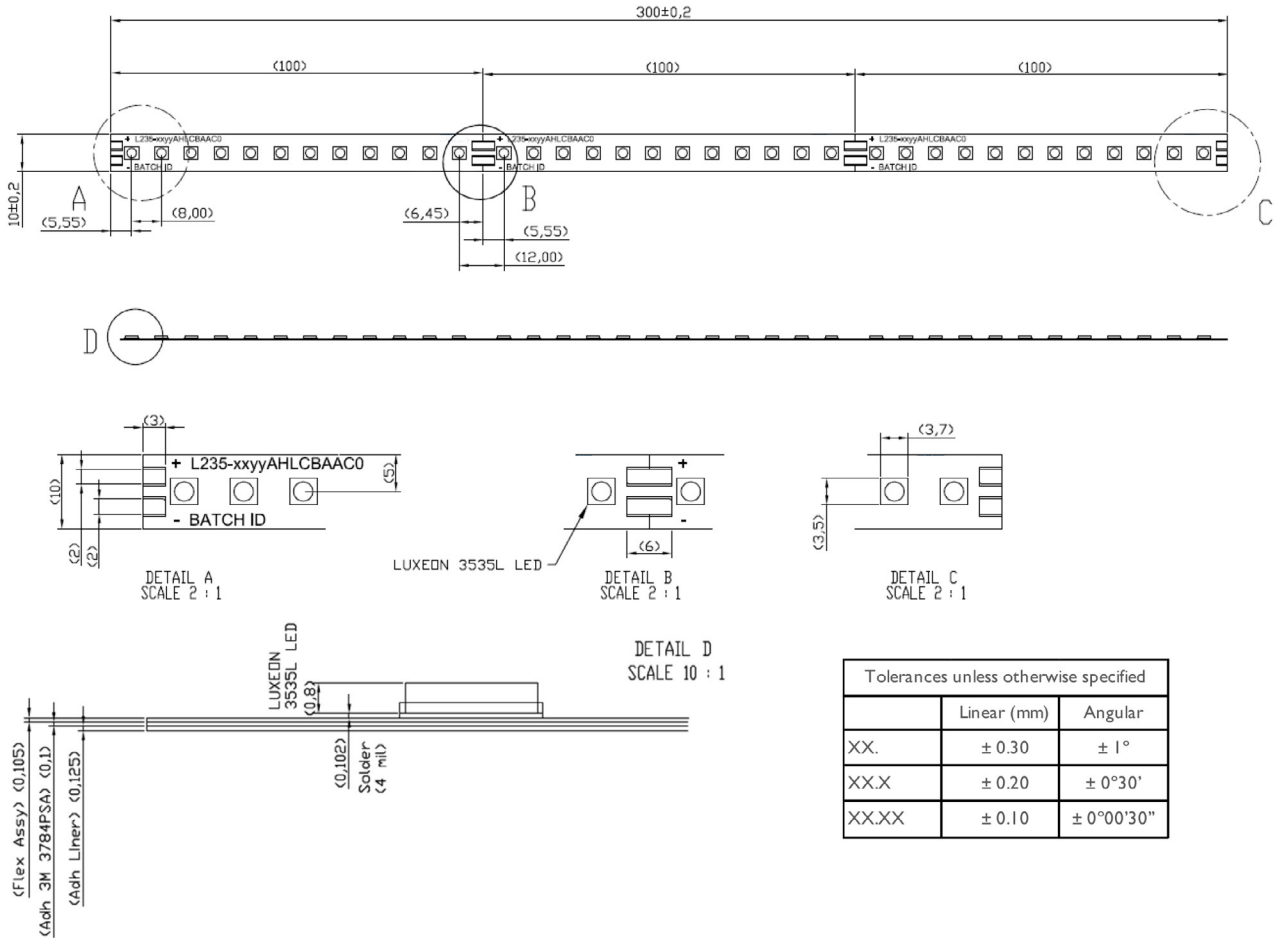


Figure 8: Mechanical dimensions for L235-xyyyAHL CBAAC0.

Notes for Figure 8:

1. Drawings are not to scale.
2. All dimensions are in millimeters.

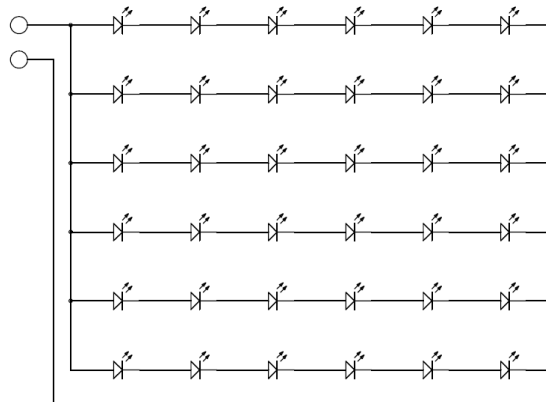


Figure 9: Electrical circuit diagram for L235-xyyyAHL CBAAC0..

L235-xyyyAHLCBAC0

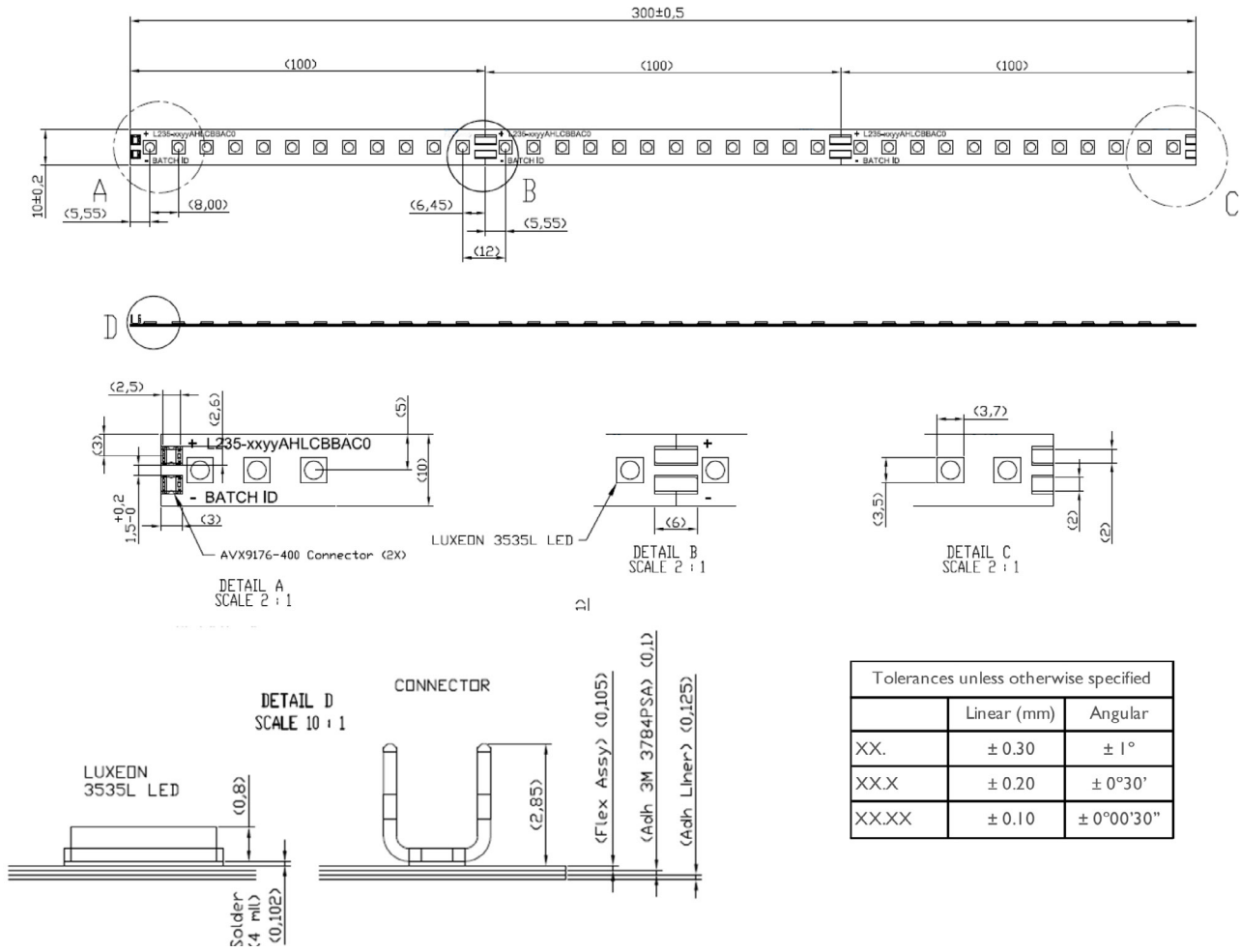


Figure 10: Mechanical dimensions for L235-xyyyAHLCBAC0.

Notes for Figure 10:

1. Drawings are not to scale.
2. All dimensions are in millimeters.

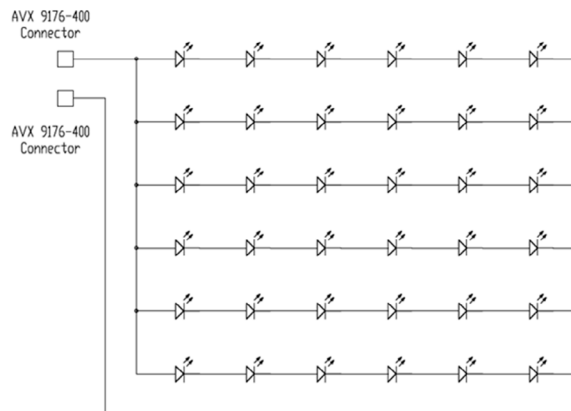


Figure 11. Electrical circuit diagram for L235-xyyyAHLCBAC0.

L235-xyyAMLF5WAD0

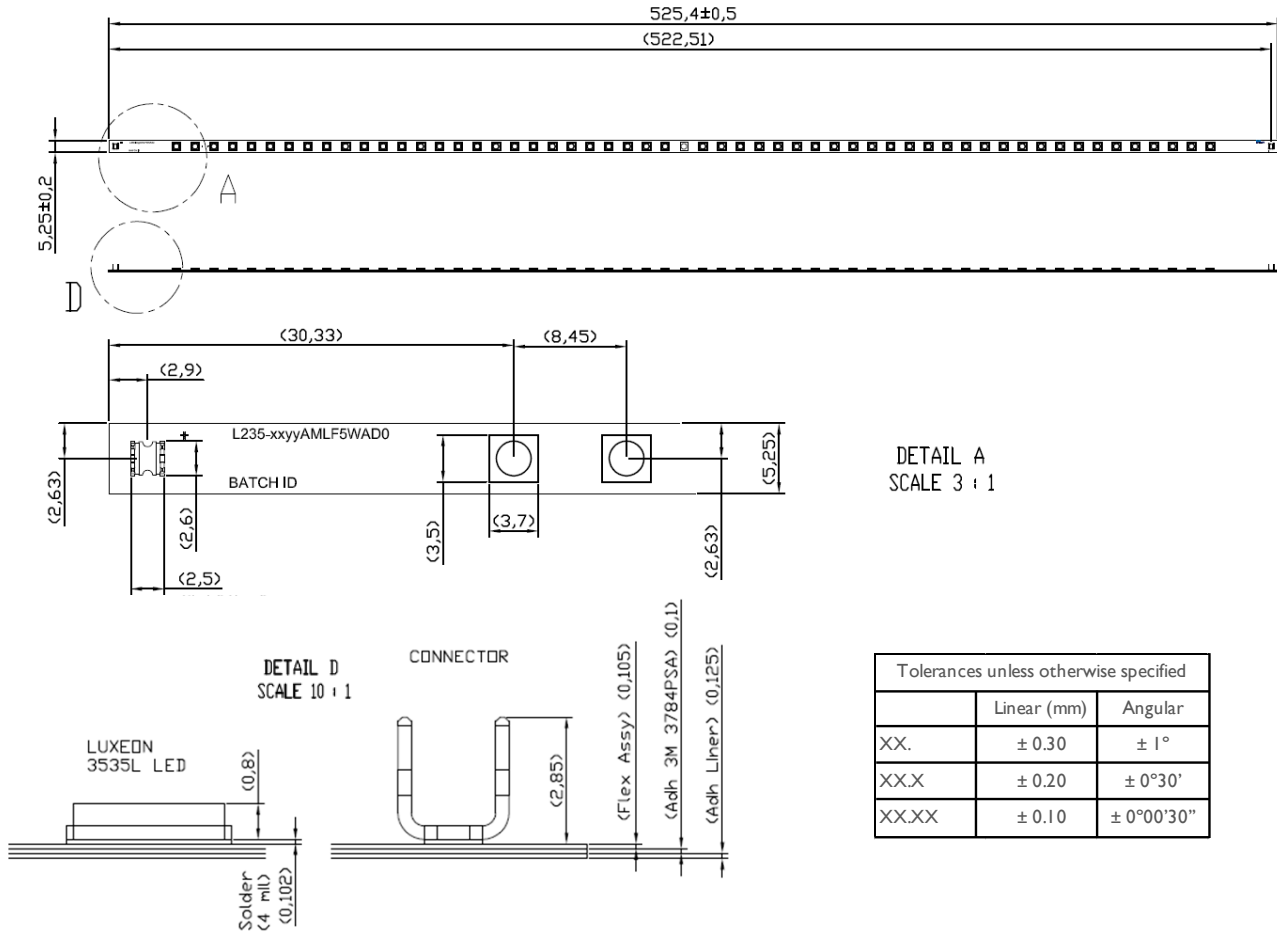


Figure 12: Mechanical dimensions for L235-xyyAMLF5WAD0.

Notes for Figure 12:

1. Drawings are not to scale.
2. All dimensions are in millimeters.

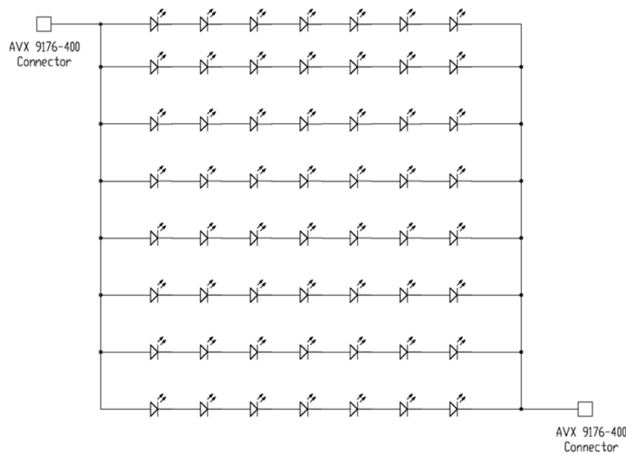


Figure 13. Electrical circuit diagram for L235-xyyAMLF5WAD0.

L235-xyyyAULM5JA10

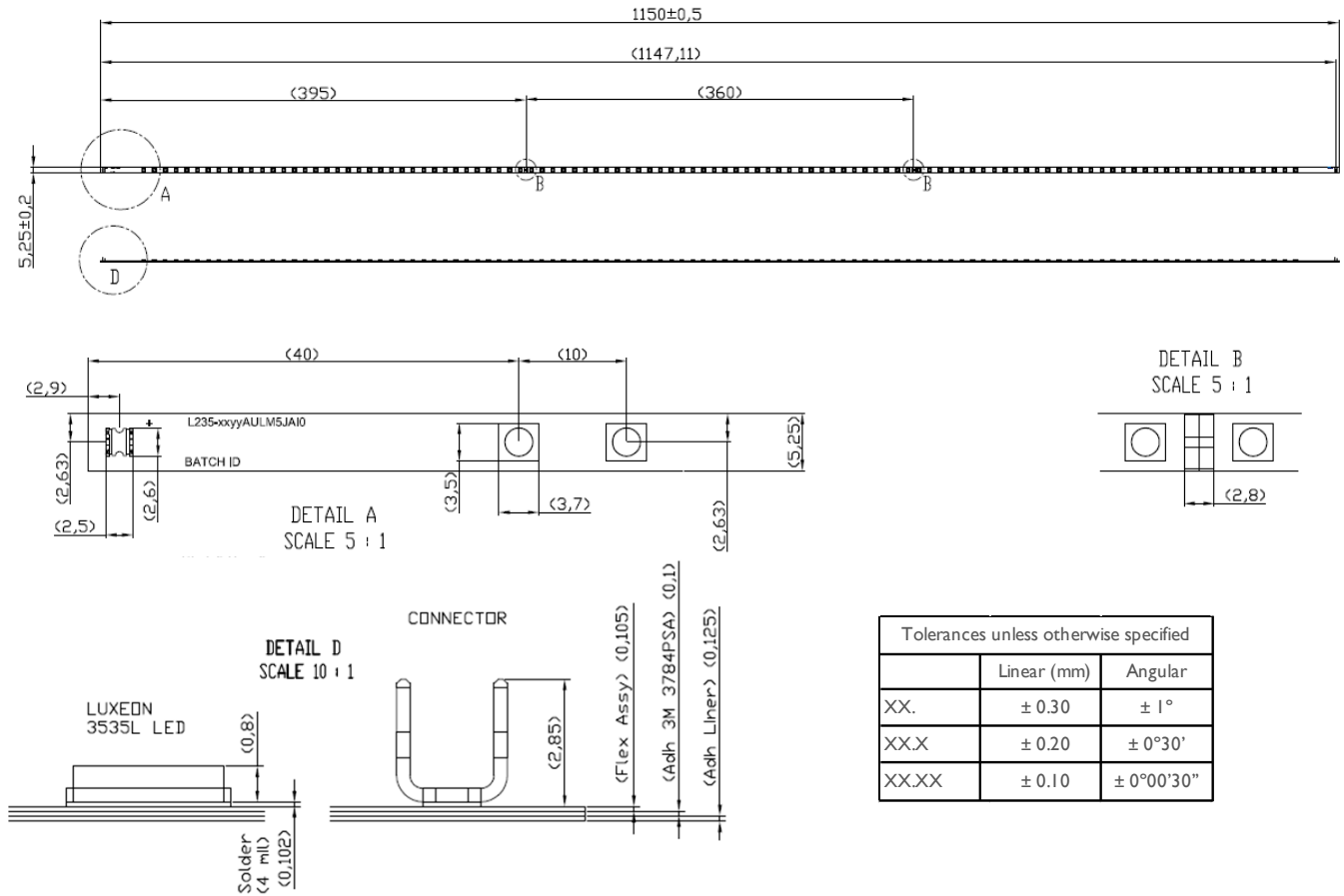


Figure 14: Mechanical dimensions for L235-xyyyAULM5JA10.

- Notes for Figure 14:
1. Drawings are not to scale.
 2. All dimensions are in millimeters.

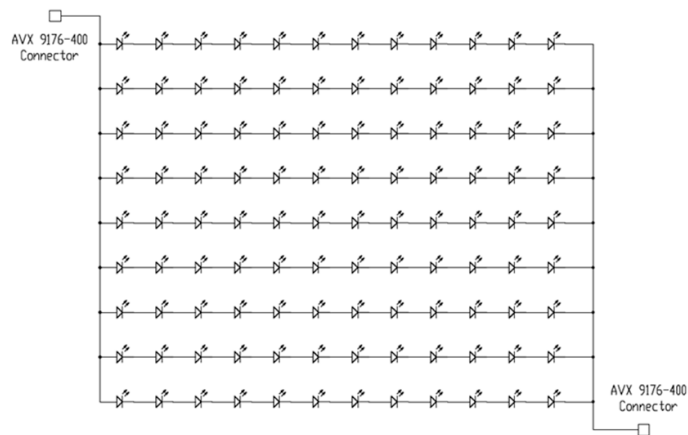


Figure 15. Electrical circuit diagram for L235-xyyyAML5WAD0.

IDC Connector

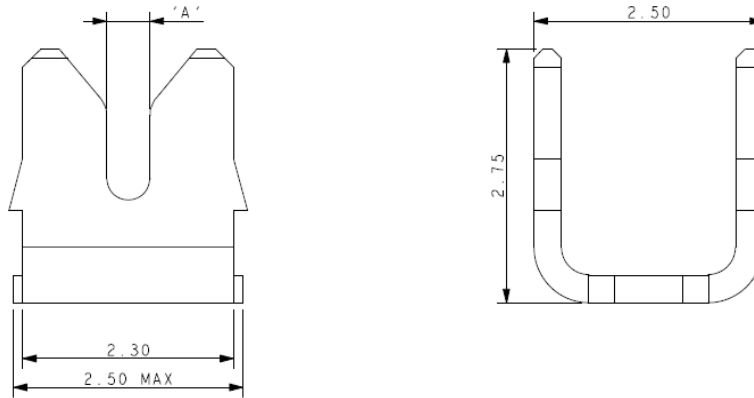


Figure 16: AVX Series 9176-400 IDC Connector for LUXEON XF-3535L.

Notes for Figure 16:

1. Drawings are not to scale.
2. All dimensions are in millimeters.
3. Contact material: Phosphor Bronze. Contact Plating: Pure Tin.
4. Accepted Wire Gauge: 24 Gauge Solid or Stranded. Dimension A=0.37.

Assembly Precautions

LUXEON XF-3535L emitter package contains a silicone overcoat to protect the LED chip and extract the maximum amount of light. As with most silicones used in LED optics, care must be taken to prevent any incompatible chemicals from directly or indirectly reacting with the silicone.

The silicone overcoat used in the LUXEON emitter is gas permeable. Consequently, oxygen and volatile organic compound (VOC) gas molecules can diffuse into the silicone overcoat. VOCs may originate from adhesives, solder fluxes, conformal coating materials, potting materials and even some of the inks that are used to print the PCBs.

Some VOCs and chemicals react with silicone and produce discoloration and surface damage. Other VOCs do not chemically react with the silicone material directly but diffuse into the silicone and oxidize during the presence of heat or light. Regardless of the physical mechanism, both cases may affect the total LED light output. Since silicone permeability increases with temperature, more VOCs may diffuse into and/or evaporate out from the silicone.

Please refer to Application Brief AB203 for more details on VOCs and other incompatible chemicals.

Packaging Information

Reel Dimensions

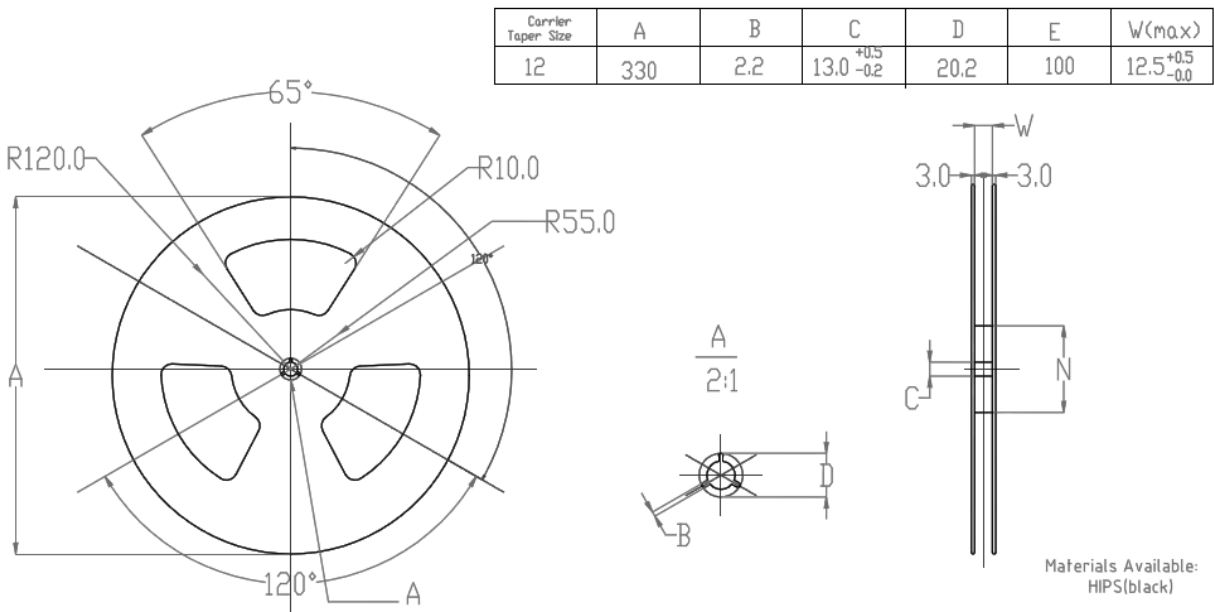


Figure 17: Reel dimensions for LUXEON XF-3535L.

Notes for Figure 17:

1. Drawings are not to scale.
2. All dimensions are in millimeters.
3. Pre-cut individual units delivered mechanically in tape and reel. Units joined together by small Kapton tape for easy separation.

Table 6. Number of units per reel for LUXEON XF-3535L.

| PART NUMBER ⁽¹⁾ | MAXIMUM UNITS PER REEL (SPI) | UNIT DESCRIPTION |
|----------------------------|------------------------------|--------------------------------------|
| L235-xyyAHLGBAAC0 | 100 | 600mm length, without IDC connectors |
| L235-xyyAHLCBAA0 | 200 | 300mm length, without IDC connectors |
| L235-xyyAHLGBBAC0 | 25 | 600mm length, with IDC connectors |
| L235-xyyAHLCBBA0 | 50 | 300mm length, with IDC connectors |
| L235-xyyAMLF5WAD0 | 25 | 525mm length |
| L235-xyyAULM5JA0 | 13 | 1150mm length |

Notes for Table 6:

1. All part numbers use the same reel size.

Appendix

Flexible Substrate Material

The polyimide-based copper-clad laminate flexible substrate has very good bending stability. Recommended usage: bending radius >10mm. The base dielectric is a 1-mil-thick polyimide layer with typical dielectric strength of 5.75 kVDC/mil. A high-reflectivity high-reliability white coating with reflectivity of about 90% in the visible light wavelength range is applied over the flexible substrate. This coating has a typical dielectric strength of 2.85kV_{DC}/mil.

TIM/PSA Material

LUXEON XF-3535L is included with a backside thermally conductive PSA (pressure sensitive adhesive). The backside PSA is designed to provide an improved thermal interface to the heat-sink.

LUXEON XF-3535L adhesive has a typical 4kV dielectric strength (for this 0.1mm thick-layer).

Recommended application process (Flex with backside PSA). See Application Brief for more details:

1. Use a new, lint-free swab and 50:50 mix of IPA and water to clean the mounting surface.
2. Remove the liner on the PSA.
3. Apply the tape to substrate with use of a squeegee, hand roller or finger pressure to help reduce the potential for air entrapment under the tape during its application.
4. The adhesion of the PSA to the mounting surface will reach 90% of its peak strength after 1 day. Heat and pressure can be used to accelerate the curing cycle. For example, good adhesion has been achieved by storing LUXEON XF-3535L for one hour at 80°C. Results may vary with different heat sink materials. Lumileds recommends that customers always perform their own testing.

Connectors

The LUXEON XF-3535L is available with optional electrical connectors. See Table 2 for standard options.

There are two connectors positioned at the same end for the 10mm-wide Flex strips and two connectors at opposite ends for the 5.25-wide Flex strips.

The AVX 9176-400 Series of connectors are Insulation-Displacement Connectors that allow direct wire to board electrical connection.

The connectors allow the use of unstripped (insulated) wires, without soldering and can handle very high drive currents (up to 6000mA at Ta=105°C).

Accepted Wire Gauge Size is: 24 Gauge Solid or Stranded.

Optional white mating cap to cover the wire can be acquired from AVX (MPN: 609176001415100).

About Lumileds

Lumileds is the global leader in light engine technology. The company develops, manufactures and distributes groundbreaking LEDs and automotive lighting products that shatter the status quo and help customers gain and maintain a competitive edge.

With a rich history of industry “firsts,” Lumileds is uniquely positioned to deliver lighting advancements well into the future by maintaining an unwavering focus on quality, innovation and reliability.

To learn more about our portfolio of light engines, visit lumileds.com.



©2016 Lumileds Holding B.V. All rights reserved.
LUXEON is a registered trademark of the Lumileds Holding B.V.
in the United States and other countries.

lumileds.com

Neither Lumileds Holding B.V. nor its affiliates shall be liable for any kind of loss of data or any other damages, direct, indirect or consequential, resulting from the use of the provided information and data. Although Lumileds Holding B.V. and/or its affiliates have attempted to provide the most accurate information and data, the materials and services information and data are provided “as is,” and neither Lumileds Holding B.V. nor its affiliates warrants or guarantees the contents and correctness of the provided information and data. Lumileds Holding B.V. and its affiliates reserve the right to make changes without notice. You as user agree to this disclaimer and user agreement with the download or use of the provided materials, information and data.