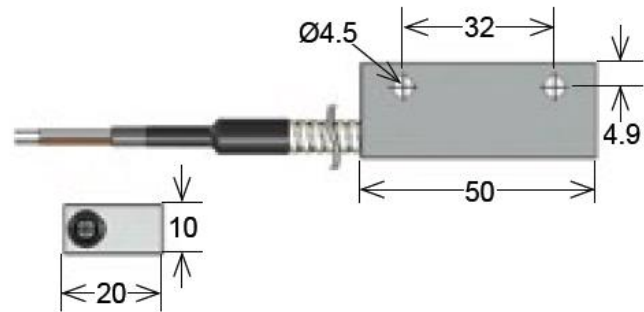


MK27 Series Reed Sensors



- Features: Aluminium Screw Fastening Reed Sensor with Metal-Tubed Cable Termination
- Applications: Harsh Environments Position, Agricultural Engineering & Others
- Markets: Agriculture, Construction, Appliance, Industrial, Security & Others

Part Description: **MK 27 - 0X00X - 000X**

Contact QTY	Contact Form	Switch Model	Magnetic Sensitivity	Cable Length (mm)	Termination
01	A	66, 85	B, C, D, E	500	w

Customer Options	Switch Model		Unit
	66	85	
Contact Data			
Rated Power (max.) Any DC combination of V&A not to exceed their individual max.'s	10	100	W
Switching Voltage (max.) DC or peak AC	200	1000	V
Switching Current (max.) DC or peak AC	0.5	1.0	A
Carry Current (max.) DC or peak AC	1.0	2.5	A
Contact Resistance (max.) @ 0.5V & 50mA	150	150	mOhm
Breakdown Voltage (min.) According to EN60255-5	0.25	1.5	kVDC
Operating Time (max.) Incl. Bounce; Measured with w/ Nominal Voltage	0.7	1.1	ms
Release Time (max.) Measured with no Coil Excitation	0.1	0.1	ms
Insulation Resistance (typ.) Rh<45%, 100V Test Voltage	10 ¹⁰	10 ¹²	GOhm
Capacitance (typ.) @ 10kHz across open Switch	0.3	0.5	pF

Series Datasheet – MK27 Reed Sensors

www.standexmeder.com

Housing and Cable Specifications	
Housing Material	Aluminium
Case Color	-
Sealing Compound	Polyurethan
Cable Typ	Round Cable
Cable Material	PVC
Cross Section (mm ²)	2 x 0.25

Environmental Data		Unit
Shock Resistance (max.) 1/2 sine wave duration 11ms	50	G
Vibration Resistance (max.)	20	g
Operating Temperature Cable not moved	-30 to 80	°C
Operating Temperature Cable moved	-05 to 80	°C
Storage Temperature	-30 to 80	°C

Glossary Contact Form		
Form A	NO = Normally Open Contacts SPST = Single Pole Single Throw	
Form B	NC = Normally Closed Contacts SPST = Single Pole Single Throw	
Form C	Changeover SPDT = Single Pole Double Throw	

Glossary Magnetic Sensitivity							
Sens.	A	B	C	D	E	F	G
AT	05-10	10-15	15-20	20-25	25-30	30-35	35-40



- ### Handling & Assembly Instructions
- Cable bending-radius is diameter x 15
 - Min. bending distance to housing is 20mm
 - Drag mark out of the mounting area forbidden
 - Decrease switching distance by mounting on iron
 - Do not use magnetically inductive screws
 - Series resistor recommended for > 5m cable length

