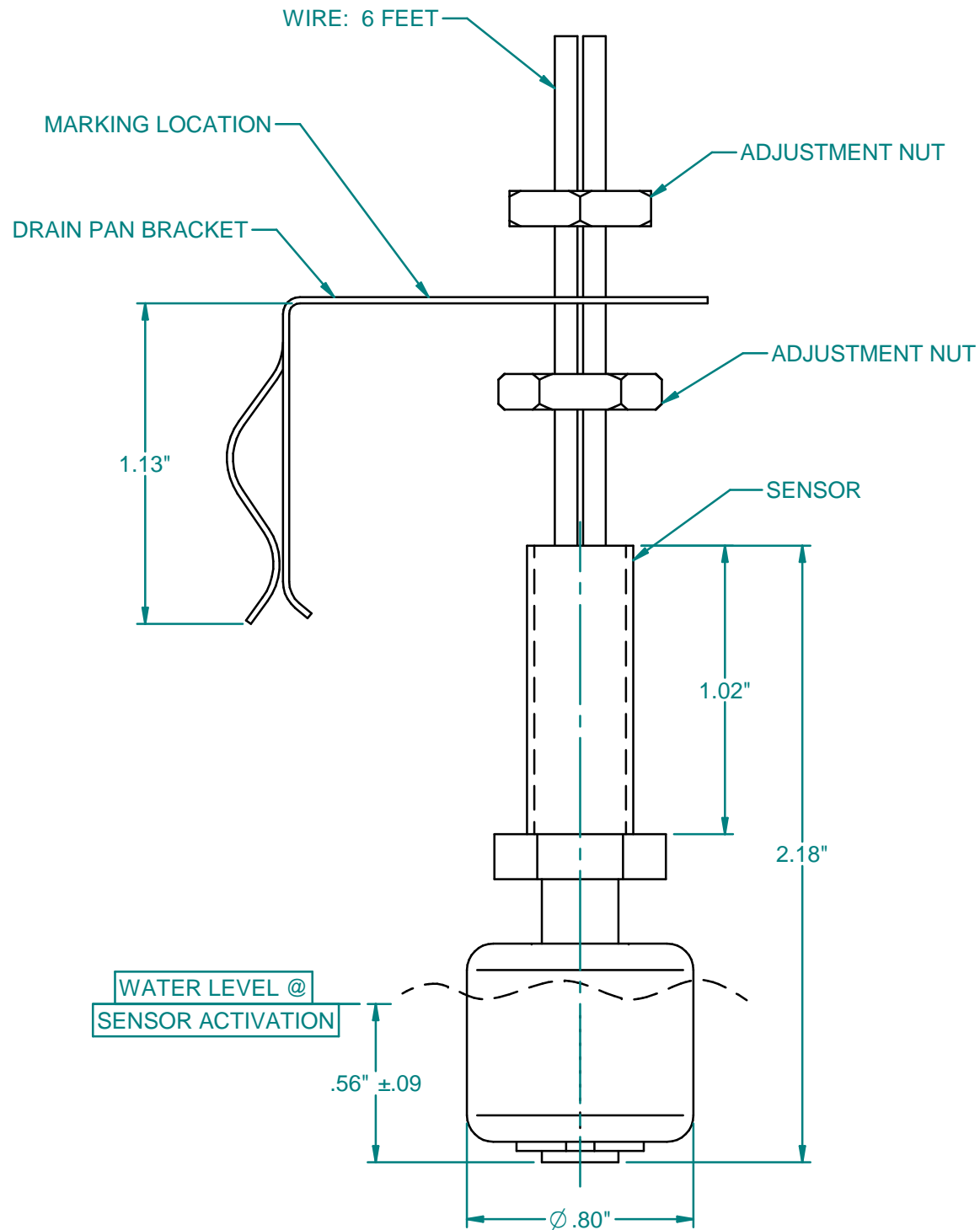


DRAWING NUMBER	REV.
FSC 5002U	3

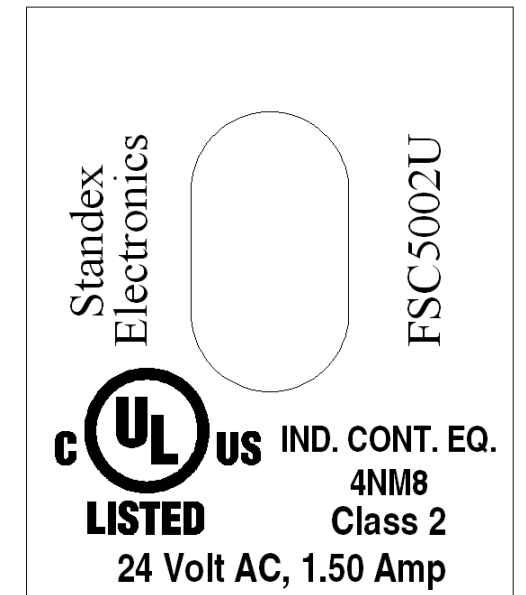
BOM FOR PACKAGE	
ITEM	QTY.
SENSOR	1
ADJUSTMENT NUT	2
BRACKET	1

NOTES:

- FLOAT MATERIAL: POLYPROPYLENE, WHITE
- HOUSING AND RETAINER RING MATERIAL: POLYPROPYLENE, BLACK
- BRACKET MATERIAL: 22 GA, 304 2B STAINLESS STEEL
- O-RING MATERIAL: SILICONE
- OPERATING TEMPERATURES UP TO 70°C
- STORAGE TEMPERATURE UP TO 105°C
- ELECTRICAL CHARACTERISTICS:
 - POWER RATING (MAX) 50VA
 - SWITCHING VOLTAGE (MAX) 200 VDC, 150 VAC
 - BREAKDOWN VOLTAGE (MIN) 250VDC
 - CONTACT ARRANGEMENT SPST
 - SWITCHING CURRENT (MAX) 1.5 A DC, 1.5 A AC
 - CARRY CURRENT (MAX) 2.5 A DC, 2.5 A AC
 - CONTACT RESISTANCE 100 mΩ
 - INSULATION RESISTANCE (MIN) 10¹² Ω
 - SWITCH AGENCY LISTED UL E122752
- WIRE CONNECTIONS: 18AWG UL1007/1569 OR UL2468
- FLOAT SPECIFIC GRAVITY: 0.75 (REFERENCE ONLY)
- PLASTIC MATERIAL REGULATORY COMPLIANCE: FDA, RoHS, UL
- CONFORMS TO UL508
- MUST PASS MINIMUM OF 30 LBS. WIRE PULL TEST USING DEAD WEIGHT FOR ONE MINUTE



**MARKING
DETAIL**



INSTALLATION INSTRUCTIONS	
* SLIDE BRACKET CLIP OVER SIDE OF PAN	
* SECURE BRACKET WITH TAPE AS NEEDED	
* ADJUST THREAD POSITION TO SET SENSOR ACTIVATION HEIGHT	
* REMOVE SENSOR TO CLEAN & INSPECT	

This drawing and the information and technical data contained hereon, are confidential and proprietary to Standex Electronics and shall not be used in whole or in part without Standex written consent

REVISIONS	DATE	DESCRIPTION
1	4/3/12 DCJ	INITIAL RELEASE
2	10/25/12 DCJ	ADD INSTALLATION INSTRUCTIONS; ADD WATER LEVEL; ADD DIMENSIONS
3	1/8/13 DCJ	ADD MARKING DETAIL VIEW

TOLERANCES When Unspecified	
Inches	Millimeters
2 Place Dec. ± .01	1 Place Dec. ± _____
3 Place Dec. ± .005	2 Place Dec. ± _____
Fractions ± _____	Angles ± 1°
Scale : N/A	

TITLE				FSC 5002U	
Standex Electronics		a Standex company		CINCINNATI OHIO	
DATE		DRAWING NUMBER		REV.	
Dwn.	CCR	4/2/2012	FSC 5002U	3	
App'd.	DCJ	4/3/2012			