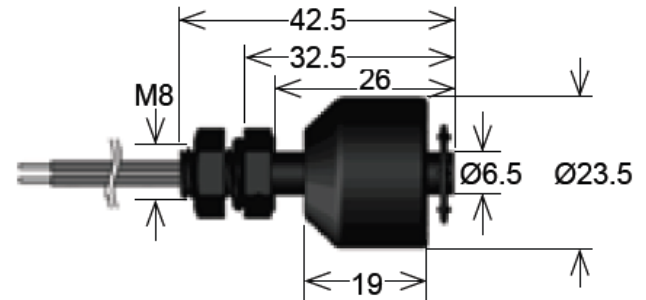


# LS01 Series Level Sensors



- Features: Compact Single Level Vertical Mount LS, High Power Switch Option, Other Cables & Connectors
- Applications: Level Control, Detection and Monitoring
- Markets: Automotive, Appliance, HVAC/R, Test & Measurement

Part-Description: **LS-01 0X00-XX-000X**

| Contact QTY | Contact Form               | Switch Model | Material | Cable Length (mm)    | Cable Termination          |
|-------------|----------------------------|--------------|----------|----------------------|----------------------------|
| 01          | A (SPST-NO)<br>B (SPST-NC) | 66, 85       | PA, PP   | 500, 1,000,<br>5,000 | W = Stripped<br>and Tinned |

| Customer Options   | Switch Model |     | Unit |
|--|--------------|-----|------|
|  | 66           | 85  |      |
| <b>Contact Data</b>  |              |     |      |
| <b>Rated Power (max.)</b><br>Any DC combination of V&A not to exceed their individual max.'s | 10           | 100 | W    |
| <b>Switching Voltage (max.)</b><br>DC or peak AC   | 200          | 400 | V    |
| <b>Switching Current (max.)</b><br>DC or peak AC   | 0.5          | 1.0 | A    |
| <b>Carry Current (max.)</b><br>DC or peak AC   | 1.25         | 2.5 | A    |
| <b>Contact Resistance (max.)</b><br>@ 0.5V & 10mA  | 150          | 150 | mOhm |

| Glossary Contact Form |  |  |
|-----------------------|--|--|
| <b>Form A</b>         | NO = Normally Open Contacts<br>SPST = Single Pole Single Throw   |  |
| <b>Form B</b>         | NC = Normally Closed Contacts<br>SPST = Single Pole Single Throw |  |
| <b>Form C</b>         | Changeover<br>SPDT = Single Pole Double Throw                    |  |

| Glossary Material                    |  |
|--------------------------------------|--|
| <b>PP: Polypropylene</b>             | For water applications and dilute acids  |
| <b>PA: Polyamide</b>                 | For oil                                  |
| <b>NBR: Nitrile Butadiene Rubber</b> | For oil, gasoline & in high temperatures |
| <b>SS: Stainless Steel</b>           | For high temp. (< 160° C)                |

| General Sensor Data              |                                  |    |                                   |
|----------------------------------|----------------------------------|----|-----------------------------------|
| Materials                        |                                  |    |                                   |
| Stem, nut                        | PA                               | PP |                                   |
| Float                            | PA                               | PP | NBR                               |
| Seal                             | Nitrile Rubber                   |    |                                   |
| Cable spec                       | Low voltage<br>(Switch Model 66) |    | High voltage<br>(Switch Model 85) |
| Cross Section (mm <sup>2</sup> ) | 0.14                             |    | 0.25                              |
| Cable material                   | PVC                              |    |                                   |
| Packing                          | Bulk                             |    |                                   |

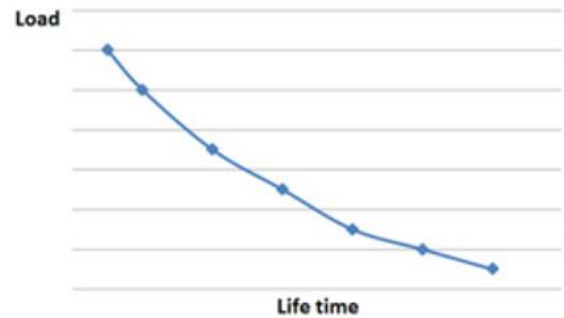
#### LS01 Level Sensor



| Environmental Data                                     |           | Unit |
|--|-----------|------|
| Shock Resistance (max.)<br>1/2 sine wave duration 11ms | 50        | G    |
| Vibration Resistance (max.)                            | 20        | G    |
| Operating Temperature<br>Cable not moved               | -20 to 80 | °C   |
| Operating Temperature<br>Cable moved                   | -5 to 80  | °C   |
| Storage Temperature                                    | -30 to 70 | °C   |

#### Life Test Data

\*Load increase reduces life expectancy of Reed Switches



#### Handling & Assembly Instructions

- Max torque of screw is 1Nm
- Cable bending-radius is diameter x 15
- Min. bending distance to housing is 5mm
- Drag mark out of the mounting area forbidden
- Decrease switching distance by mounting on iron
- Series resistor recommended for > 5m cable length

