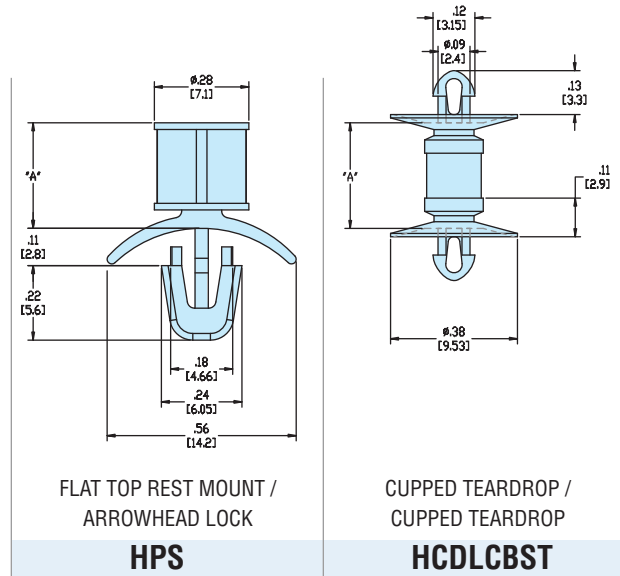




Heyco® Nylon PCB Supports - Imperial Spacing



PCB	Maximum Thickness		Mounting Hole Diameter		Maximum Thickness		Mounting Hole Diameter	
	in.	mm.	in.	mm.	in.	mm.	in.	mm.
	flat top rest mount							
Chassis	.078	2,0	.187	4,8	.062	1,6	.098	2,5

A	PART NO.	DESCRIPTION	PART NO.	DESCRIPTION	
					in.
.187	4,8	10233	HPS-03	10836	HCDLCBST-03
.250	6,4	10234	HPS-04	10837	HCDLCBST-04
.312	7,9	10235	HPS-05	10838	HCDLCBST-05
.375	9,5	10236	HPS-06	10839	HCDLCBST-06
.437	11,1	10237	HPS-07	10840	HCDLCBST-07
.500	12,7	10238	HPS-08	10841	HCDLCBST-08
.562	14,3			10842	HCDLCBST-09
.625	15,9	10239	HPS-10	10843	HCDLCBST-10
.750	19,1	10240	HPS-12		
.875	22,2	10241	HPS-14		

Standard color natural. For special order parts in UL 94V-0 natural material, add the suffix "F" to Part No.

*Consult Heyco for HCDLCBST in V-0 material.

Material: Nylon 6/6
 Flammability Rating: 94V-2
 Temperature Range: .4°F (-18°C) to 185°F (85°C)

Quick Specs