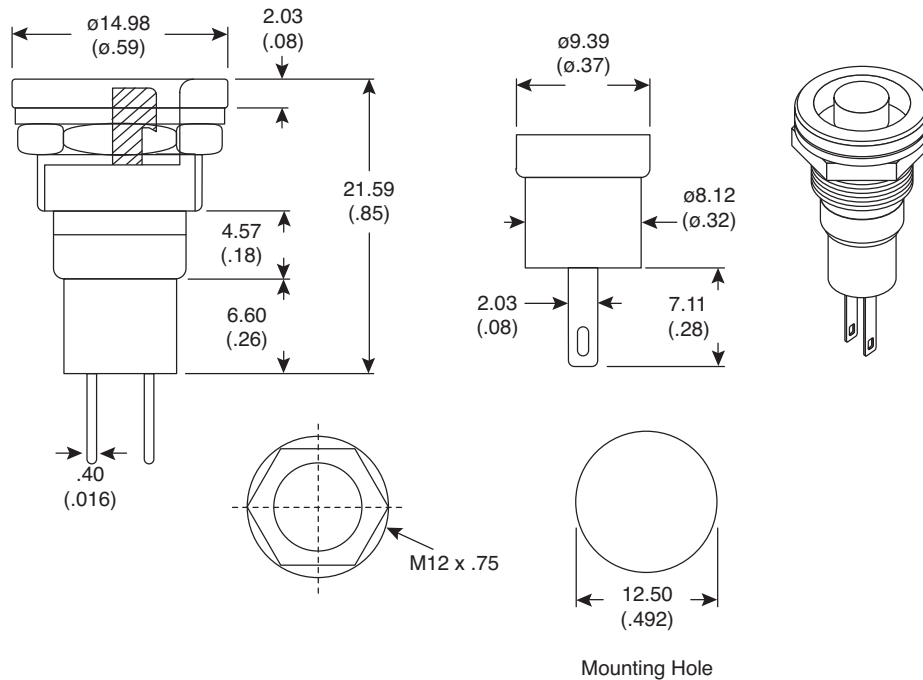


## Dimensions: mm (in.)

**Materials:**

- 10PA032: red button
- 10PA033: black button
- Button: ABS plastic
- Bezel: nickel plated brass
- Washer: copper uni-chromate plated
- Nut: nickel plated brass
- Body: molded black plastic
- Contact: silver plated brass
- Spring: SWPE
- Terminals: silver plated brass

**Mechanical Specifications:**

- Circuit: Off(On)
- Operating Force: 180g
- Travel: 1.2mm  $\pm$  0.3mm

**Electrical Specifications:**

- Rating: 0.5A/125VAC
- Contact resistance: 50m $\Omega$  Max.
- Insulation resistance: 100M $\Omega$  @ 500VDC
- Dielectric strength: 500VAC for 1 minute
- Electrical Life: 5,000 Cycles

Pushbutton Switches  
10PA032, 10PA033

**Mountain  
Switch**

Available from Mouser Electronics

www.mouser.com

1-800-346-6873