
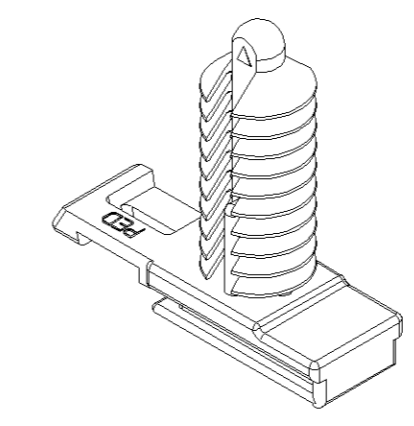
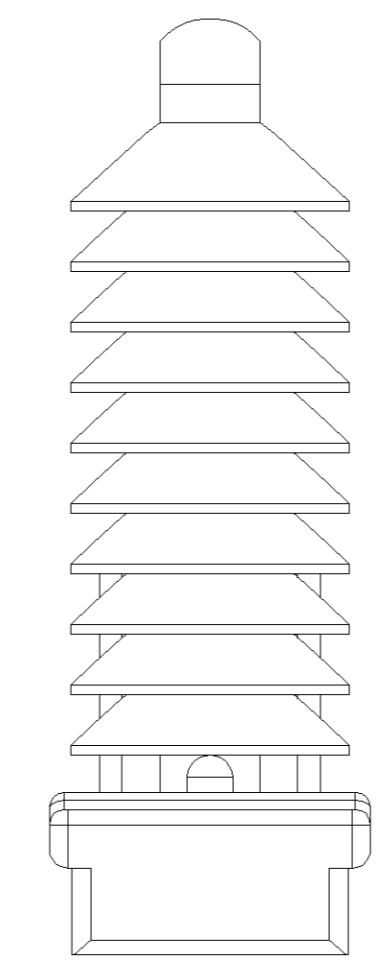
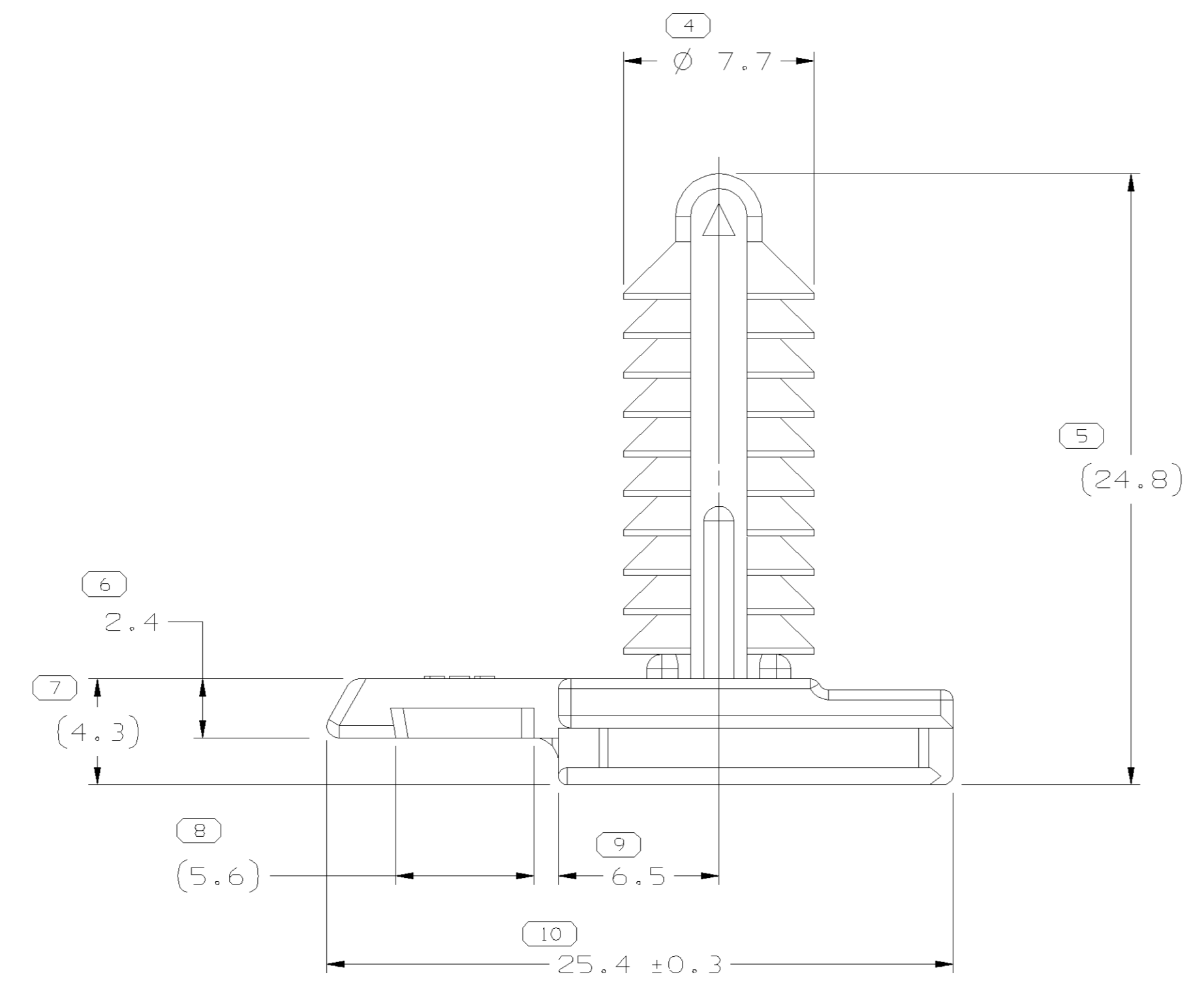
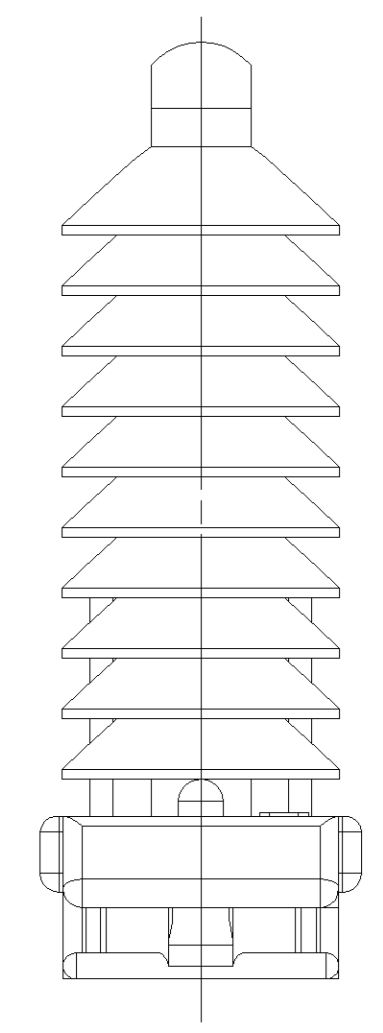
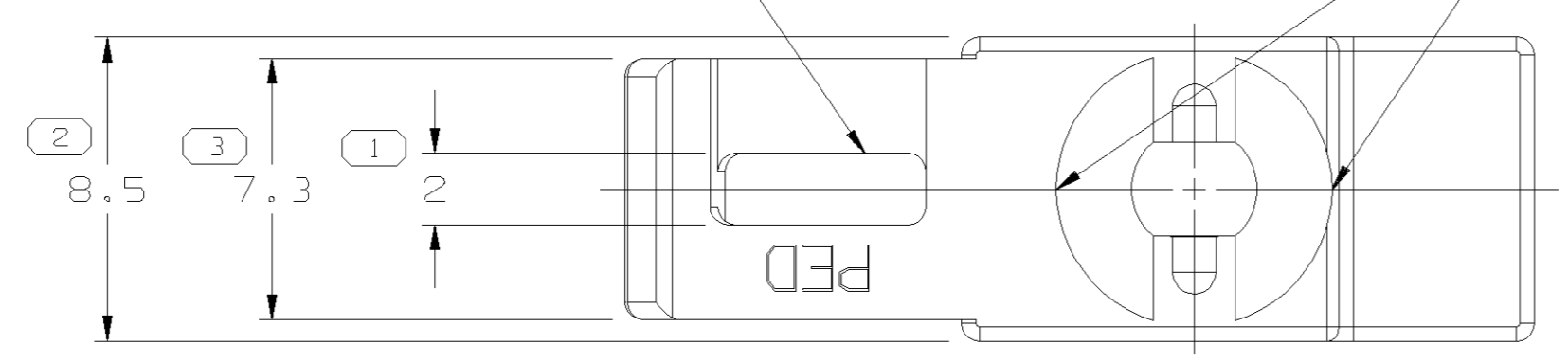


SYMBOL DEFINITION		MISSING NUMBERS	
A DIMENSION WITHOUT AN INSPECTION REPORT SYMBOL  DOES NOT REQUIRE INSPECTION. IT MAY BE CONTROLLED ON AN INDIVIDUAL COMPONENT DRAWING.	TOTAL NO. OF SYMBOLS ON DRAWING	10	
	LAST NO. USED	10	

DWG STATUS					ZONE	REVISION HISTORY	AUTH	DR	APVD 1	APVD 2
DATE	STG	REV	N/P	CHG						
26JA05	R	01	-	-		13521043 - RELEASED; 12186353 WAS SEPARATE DRAWING	263880	GPS	JAA	PYP
04AP05	R	02	-	-		12186353 - ADDED FLASH NOTE	266085	CCV	JAA	TP
05AU05	R	03	-	-		REMOVED THE TYPE 101 & 102 DESIGNATION	270644	CCV	JAA	TP

0.5 MAX FLASH POSSIBLE ON ANY SIDE OF LOCK RAMP WINDOW

0.1 MM FLASH PERMISSIBLE ON PARTING LINE OF FIR-TREE



VIEW SCALE DOES NOT REFLECT ACTUAL PART SIZE

NOTES

- UNLESS OTHERWISE SPECIFIED AND/OR INDICATED:
DIMENSIONS ARE TO FACE OF VIEW SHOWN AND AUTOMATICALLY ROUNDED BY COMPUTER FOR INSPECTION (SEE MATH MODEL FOR PRECISE DIMENSIONS). FOR ALL OTHER DIMENSIONS NOT SHOWN BUT REQUIRED FOR TOOL BUILD, SEE MATH MODEL FOR PRECISE TOOL PATH DATA.
- MATERIAL RECYCLING CODE PER ISO 11469. (1.3)X(0.1) CHARACTERS AS SHOWN TO BE LOCATED ON ANY EXTERIOR SURFACE. OPTIONAL CONSTRUCTION TO BE NO MATERIAL RECYCLING CODE.
- (1.3)X(0.1) DELPHI CORPORATE BRAND TO BE LOCATED ON ANY EXTERIOR SURFACE, PREFERABLY VISIBLE AT FINAL ASSEMBLY. OPTIONAL CONSTRUCTION TO BE "PED" OR NO LOGO.
- RECOMMENDED HOLE SIZE $\varnothing 6.35 + 0.65 / - 0.1$ IN 11 MAX. THICK STOCK.
- THIS PART DOES NOT FALL IN TO THE CATEGORY OF AN APPEARANCE ITEM. MINOR SURFACE IMPERFECTIONS SUCH AS FLOW LINES, EJECTOR PIN MARKS, KNIT LINES, WELD MARKS AND GATE MARKINGS ARE PERMITTED.

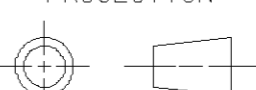


PART NO	REV	N/P	STATUS	MATERIAL SPECIFICATION AND COLOR	VOLUME (CM ³)
13521043	01	AA	-	M3592012 PA66 HS IM GRA LT	0.871
12186353	A8	-	-	M3592001 PA66 HS IM BLK	0.871

DIMENSIONAL RANGE	MM	CHART	EI
FROM	> 0	> 20	> 30
TO	20	30	70
			> 100
			> 150
			> 200
			> 250
			> 300
			> 400

TOLERANCE UNLESS OTHERWISE SPECIFIED

±0.15	±0.2	±0.3	±0.4	±0.5	±0.6	±0.8	±1	±1.2
-------	------	------	------	------	------	------	----	------

ANGULAR TOLERANCE ±2°

DWG TYPE	PART DRAWING	
STYLE		
VOLUME (CM ³)	SEE CHART	DISTR CODE
		D
UNLESS OTHERWISE SPECIFIED		
THIS DOCUMENT IS IN ACCORDANCE WITH ASME Y14.5M-1994 AS AMENDED BY THE GM GLOBAL DIMENSIONING AND TOLERANCING ADDENDUM-2001. SEPARATE PATTERNS OF FEATURES MAY BE GAGED SEPARATELY REGARDLESS OF DATUM REFERENCES.		
ALL DIMENSIONS ARE IN MILLIMETERS		
REFERENCE	12110341	
THIRD ANGLE PROJECTION	DO NOT SCALE	UNIGRAPHICS
		

DELPHI	
DELPHI PACKARD ELECTRIC SYSTEMS WARREN, OH	
DR	DATE
APVD1 PATRICIA SANCHEZ	27JA05
APVD2 J.S. ALVARADO	27JA05
APVD3 PEDRO YABUR	28JA05
APVD4	
APVD5	
SUBSTANCES OF CONCERN AND RECYCLED CONTENT PER DELPHI 10949001	
MATERIAL SEE CHART	
DRAWING NAME	
TAXI MOUN CLIP CONN NAIL	
DRAWING NUMBER	
13521044	
SIZE	SCALE
A1	5:1
FRAME NO	SHEET NO
1 OF 1	1 OF 1
STG	REV
R	03
N/P	
-	