

# DS1904 RTC iButton

## SPECIAL FEATURES

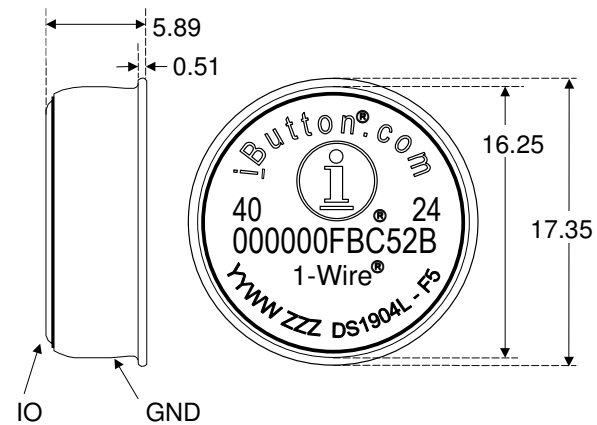
- Real-Time Clock/calendar in binary format
- Uses the same binary time/date representation as the DS1994 but with 1 second resolution
- Clock accuracy is better than  $\pm 2$  minutes per month at 25°C
- Operating temperature range from -40°C to +85°C
- Over 10 years of operation

## COMMON iButton FEATURES

- Unique, factory-lasered and tested 64-bit registration number (8-bit family code + 48-bit serial number + 8-bit CRC tester) assures absolute traceability because no two parts are alike
- Multidrop controller for MicroLAN
- Digital identification and information by momentary contact
- Chip-based data carrier compactly stores information
- Data can be accessed while affixed to object
- Economically communicates to host with a single digital signal at 16.3 kbps
- Standard 16 mm diameter and 1-Wire® protocol ensure compatibility with iButton® Device family
- Button shape is self-aligning with cup-shaped probes
- Durable stainless steel case engraved with registration number withstands harsh environments

- Easily affixed with self-stick adhesive backing, latched by its flange, or locked with a ring pressed onto its rim
- Presence detector acknowledges when reader first applies voltage

## F5 MicroCan



All dimensions are shown in millimeters

## ORDERING INFORMATION

DS1904L-F5# F5 MicroCan  
# Denotes an RoHS-compliant device that may include lead(Pb) that is exempt under the RoHS requirements.

## EXAMPLES OF ACCESSORIES

DS9096P	Self-Stick Adhesive Pad
DS9101	Multi-Purpose Clip
DS9093RA	Mounting Lock Ring
DS9093A	Snap-In Fob
DS9092	<u>i</u> Button Probe

## iButton DESCRIPTION

The DS1904 RTC iButton is a rugged real-time clock module that can be accessed with minimal hardware. Data is transferred serially via the 1-Wire protocol, which requires only a single data lead and a

*1-Wire and iButton are registered trademarks of Maxim Integrated Products, Inc.*

For pricing, delivery, and ordering information, please contact Maxim Direct at 1-888-629-4642, or visit Maxim Integrated's website at [www.maximintegrated.com](http://www.maximintegrated.com).

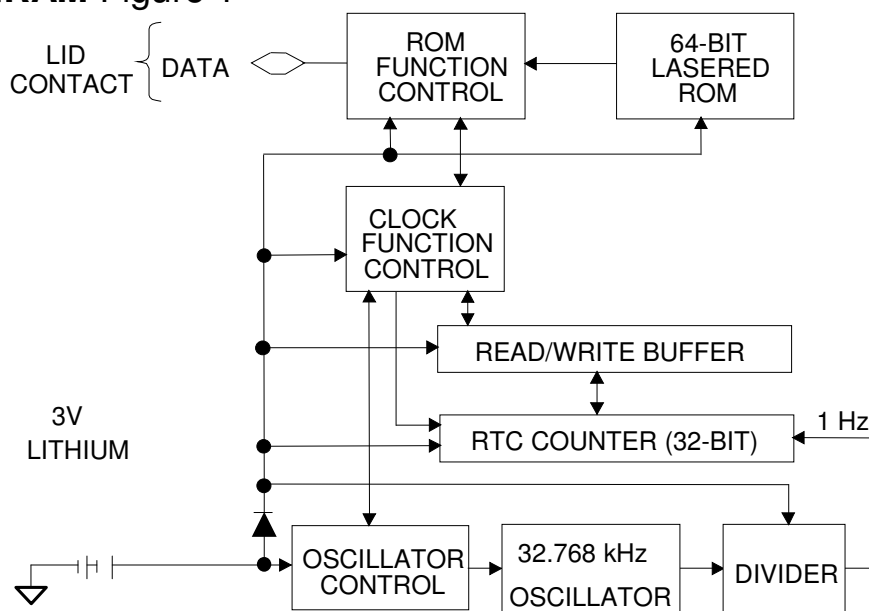
19-4864; Rev 6/13

ground return. The DS1904 contains a unique 64-bit factory-lasered ROM and a real-time clock/calendar implemented as a binary counter. The durable MicroCan package is highly resistant to environmental hazards such as dirt, moisture, and shock. Accessories permit the DS1904 to be mounted on almost any surface including printed circuit boards and plastic key fobs. The DS1904 adds functions such as calendar, time and date stamp, stopwatch, hour meter, interval timer, and logbook to any type of electronic device or embedded application that uses a microcontroller.

## OVERVIEW

The DS1904 has two main data components: 1) 64-bit lasered ROM, and 2) real-time clock counter (Figure 1). The real-time clock utilizes an on-chip oscillator that is connected to a 32.768 kHz crystal. The hierarchical structure of the 1-Wire protocol is shown in Figure 2. The bus master must first provide one of four ROM function commands: 1) Read ROM, 2) Match ROM, 3) Search ROM, 4) Skip ROM. The protocol for these ROM functions is described in Figure 7. After a ROM function command is successfully executed, the real-time clock functions become accessible and the master may then provide one of the real-time clock function commands. The protocol for these commands is described in Figure 5. All data is read and written least significant bit first.

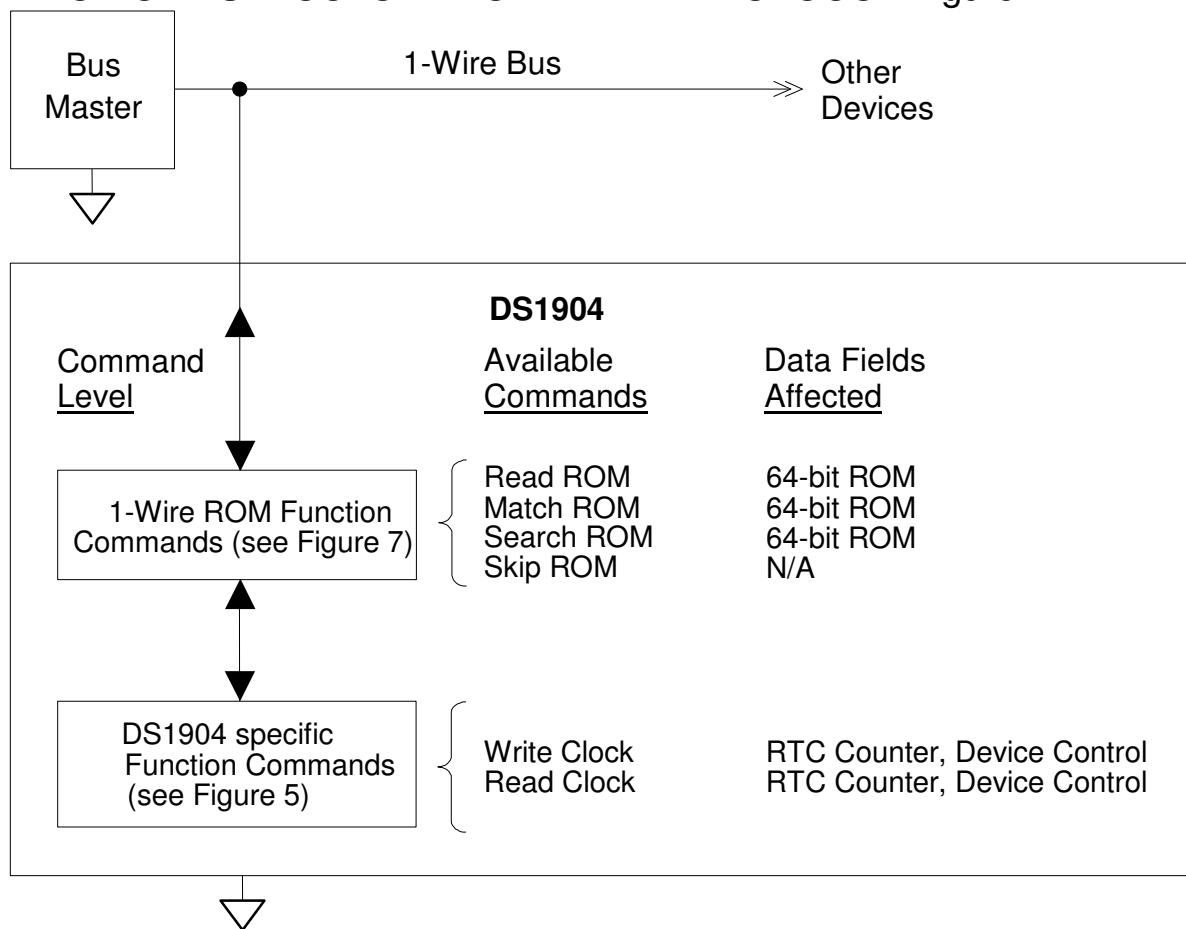
## BLOCK DIAGRAM Figure 1



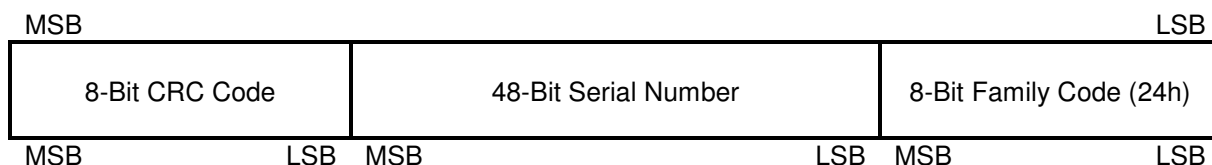
## 64-BIT LASERED ROM

Each DS1904 contains a unique ROM code that is 64 bits long. The first eight bits are a 1-Wire family code. The next 48 bits are a unique serial number. The last eight bits are a CRC of the first 56 bits (see Figure 3). The 1-Wire CRC is generated using a polynomial generator consisting of a shift register and XOR gates as shown in Figure 4. The polynomial is  $X^8 + X^5 + X^4 + 1$ . Additional information about the Maxim 1-Wire Cyclic Redundancy Check is available in Application Note 937: *Book of iButton® Standards*. The shift register bits are initialized to zero. Then starting with the least significant bit of the family code, one bit at a time is shifted in. After the 8th bit of the family code has been entered, then the serial number is entered. After the 48th bit of the serial number has been entered, the shift register contains the CRC value. Shifting in the eight bits of CRC should return the shift register to all zeros. The 64-bit ROM and ROM Function Control section allow the DS1904 to operate as a 1-Wire device and follow the 1-Wire protocol detailed in the *1-Wire Bus System* section.

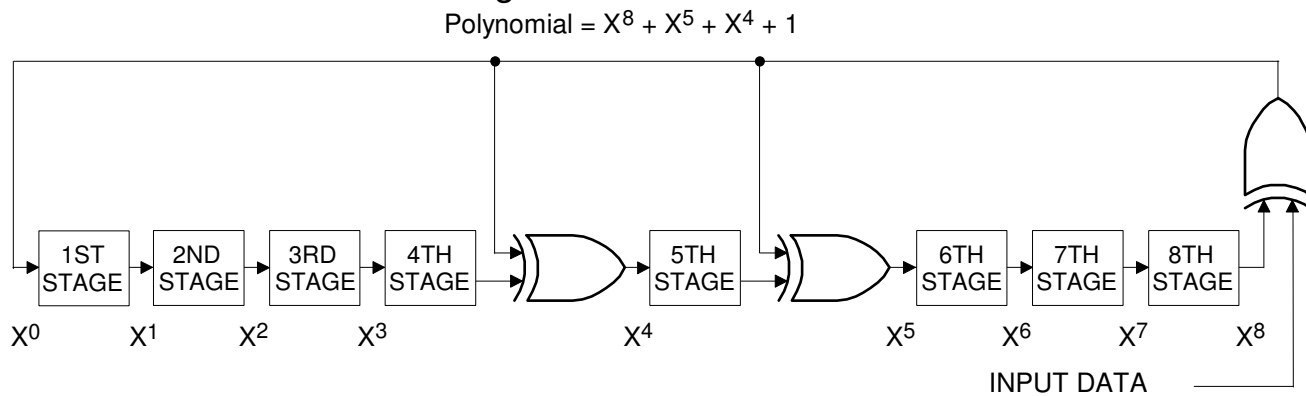
## HIERARCHICAL STRUCTURE FOR 1-WIRE PROTOCOL Figure 2



## 64-BIT LASERED ROM Figure 3



## 1-WIRE CRC GENERATOR Figure 4



## TIMEKEEPING

A 32.768 kHz crystal oscillator is used as the time base for the real-time clock counter. The oscillator can be turned on or off under software control. The oscillator must be on for the real time clock to function. The real-time clock counter is double buffered. This allows the master to read time without the data changing while it is being read. To accomplish this, a snapshot of the counter data is transferred to a read/write buffer, which the user accesses.

## DEVICE CONTROL BYTE

The on/off control of the 32.768 kHz crystal oscillator is done through the device control byte. This byte can be read and written through the Clock Function commands.

### Device Control Byte

7	6	5	4	3	2	1	0
U4	U3	U2	U1	<b>OSC</b>	OSC	0	0

**Bit 0 - 1**  No function

Bits 0 and 1 are hard-wired to read all 0's.

**Bit 2 - 3**  Oscillator Enable/Disable

These bits control/report whether the 32.768 kHz crystal oscillator is running. If the oscillator is running, both OSC bits will read 1. If the oscillator is turned off these bits will all read 0. When writing the device control byte both occurrences of the OSC bit should have identical data. Otherwise the value in bit address 3 (bold) takes precedence.

**Bit 4 - 7**  General-purpose user flags

These non-volatile bits have no particular function within the chip. They can be read and written under the control of the application software.

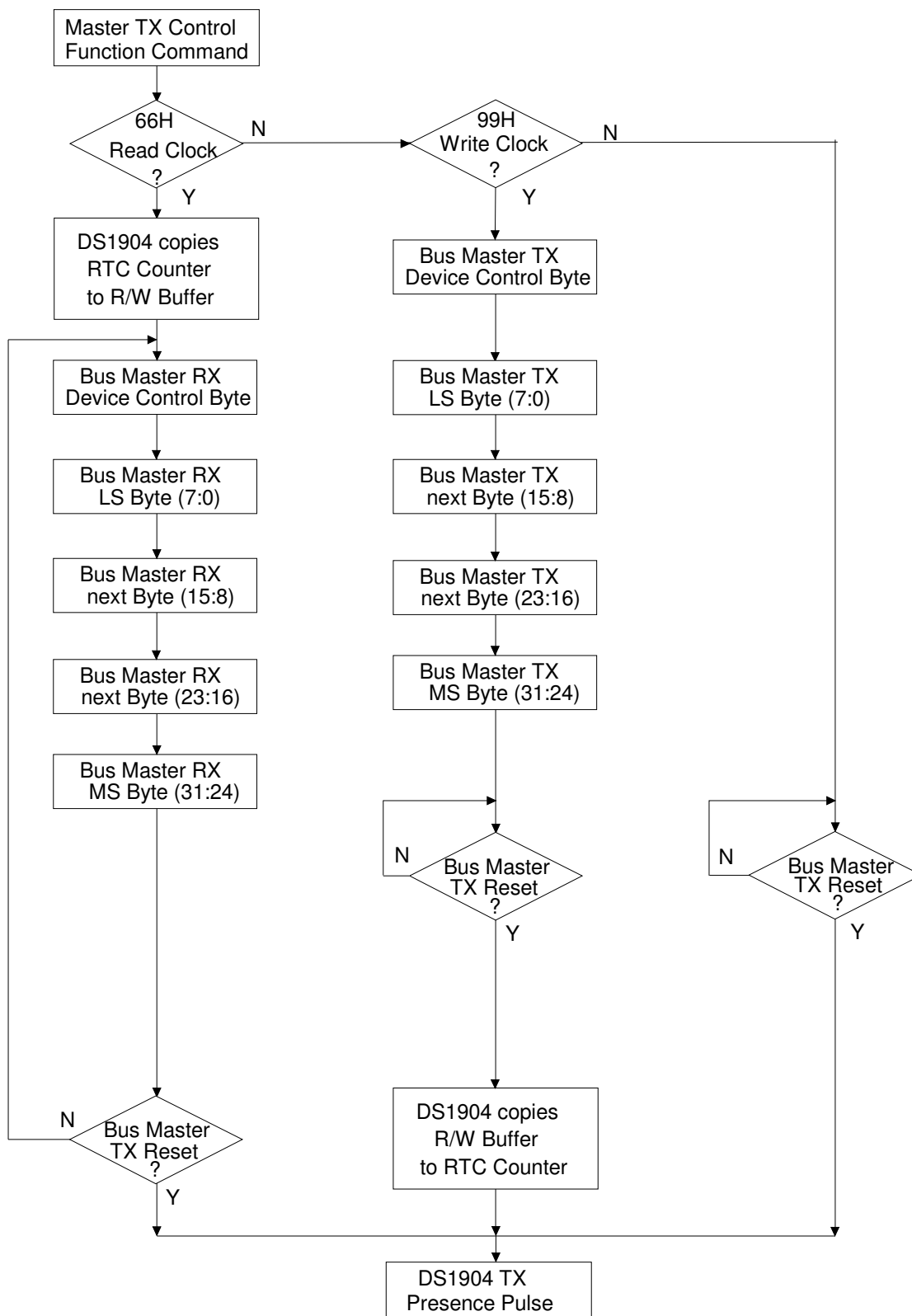
## REAL-TIME CLOCK

The real-time clock is a 32-bit binary counter. It is incremented once per second. The real-time clock can accumulate 136 years of seconds before rolling over. Time/date is represented by the number of seconds since a reference point, which is determined by the user. For example, 12:00 a.m., January 1, 1970 could be a reference point.

## CLOCK FUNCTION COMMANDS

The "Clock Function Flow Chart" (Figure 5) describes the protocols necessary for accessing the real-time clock. With only four bytes of real-time clock and one control byte the DS1904 does not provide random access. Reading and writing always starts with the device control byte followed by the least significant byte of the time data.

# CLOCK FUNCTION COMMAND FLOW CHART Figure 5



## READ CLOCK [66h]

The read clock command is used to read the device control byte and the contents of the real-time clock counter. After having received the most significant bit of the command code the device copies the actual contents of the real-time clock counter to the read/write buffer. Now the bus master reads data beginning with the device control byte followed by the least significant byte through the most significant byte of the real-time clock. After this the bus master may continue reading from the DS1904. The data received will be the same as in the first pass through the command flow. The read clock command can be ended at any point by issuing a Reset Pulse.

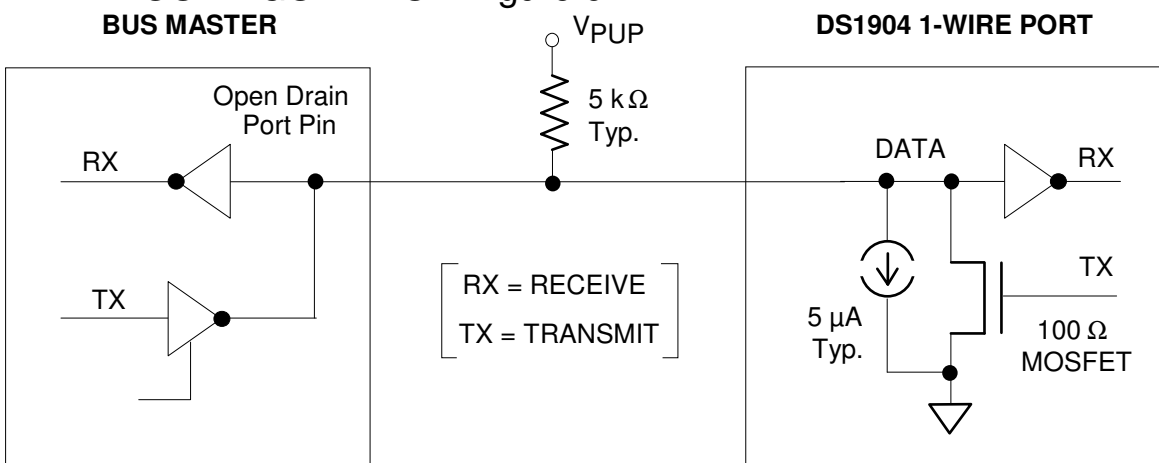
## WRITE CLOCK [99h]

The write clock command is used to set the real-time clock counter and to write the device control byte. After issuing the command, the bus master writes first the device control byte, which becomes immediately effective. After this the bus master sends the least significant byte through the most significant byte to be written to the real-time clock counter. The new time data is copied from the read/write buffer to the real-time clock counter and becomes effective as the bus master generates a reset pulse. If the oscillator is intentionally stopped, the real-time clock counter behaves as a four-byte non-volatile memory.

## 1-WIRE BUS SYSTEM

The 1-Wire bus is a system, which has a single bus master and one or more slaves. In all instances the DS1904 is a slave device. The bus master is typically a microcontroller. The discussion of this bus system is broken down into three topics: hardware configuration, transaction sequence, and 1-Wire signaling (signal types and timing). A 1-Wire protocol defines bus transactions in terms of the bus state during specified time slots that are initiated on the falling edge of sync pulses from the bus master. For a more detailed protocol description, refer to Chapter 4 of the *Book of iButton® Standards*.

## HARDWARE CONFIGURATION Figure 6



## Hardware Configuration

The 1-Wire bus has only a single line by definition; it is important that each device on the bus be able to drive it at the appropriate time. To facilitate this, each device attached to the 1-Wire bus must have open drain or three-state outputs. The 1-Wire input of the DS1904 is open drain with an internal circuit equivalent to that shown in Figure 6. A multidrop bus consists of a 1-Wire bus with multiple slaves attached. The 1-Wire bus has a maximum data rate of 16.3k bits per second and requires a pull-up resistor of approximately 5kΩ.

The idle state for the 1-Wire bus is high. If for any reason a transaction needs to be suspended, the bus **must** be left in the idle state if the transaction is to resume. If this does not occur and the bus is left low for more than 120  $\mu$ s, one or more of the devices on the bus may be reset. Since the DS1904 gets all its energy for operation through its  $V_{DD}$  pin it will **not** perform a power-on reset if the 1-Wire bus is low for an extended time period.

## Transaction Sequence

The protocol for accessing the DS1904 via the 1-Wire port is as follows:

- Initialization
- ROM Function Command
- Clock Function Command

## INITIALIZATION

All transactions on the 1-Wire bus begin with an initialization sequence. The initialization sequence consists of a reset pulse transmitted by the bus master followed by presence pulse(s) transmitted by the slave(s). The presence pulse lets the bus master know that the DS1904 is on the bus and is ready to operate. For more details, see the *1-Wire Signaling* section.

## ROM FUNCTION COMMANDS

Once the bus master has detected a presence, it can issue one of the four ROM function commands that the DS1904 supports. All ROM function commands are eight bits long. A list of these commands follows (refer to flowchart in Figure 7):

### Read ROM [33h]

This command allows the bus master to read the DS1904's 8-bit family code, unique 48-bit serial number, and 8-bit CRC. This command should only be used if there is a single slave on the bus. If more than one slave is present on the bus, a data collision will occur when all slaves try to transmit at the same time (open drain will produce a wired-AND result). The resultant family code and 48-bit serial number read by the master will be invalid.

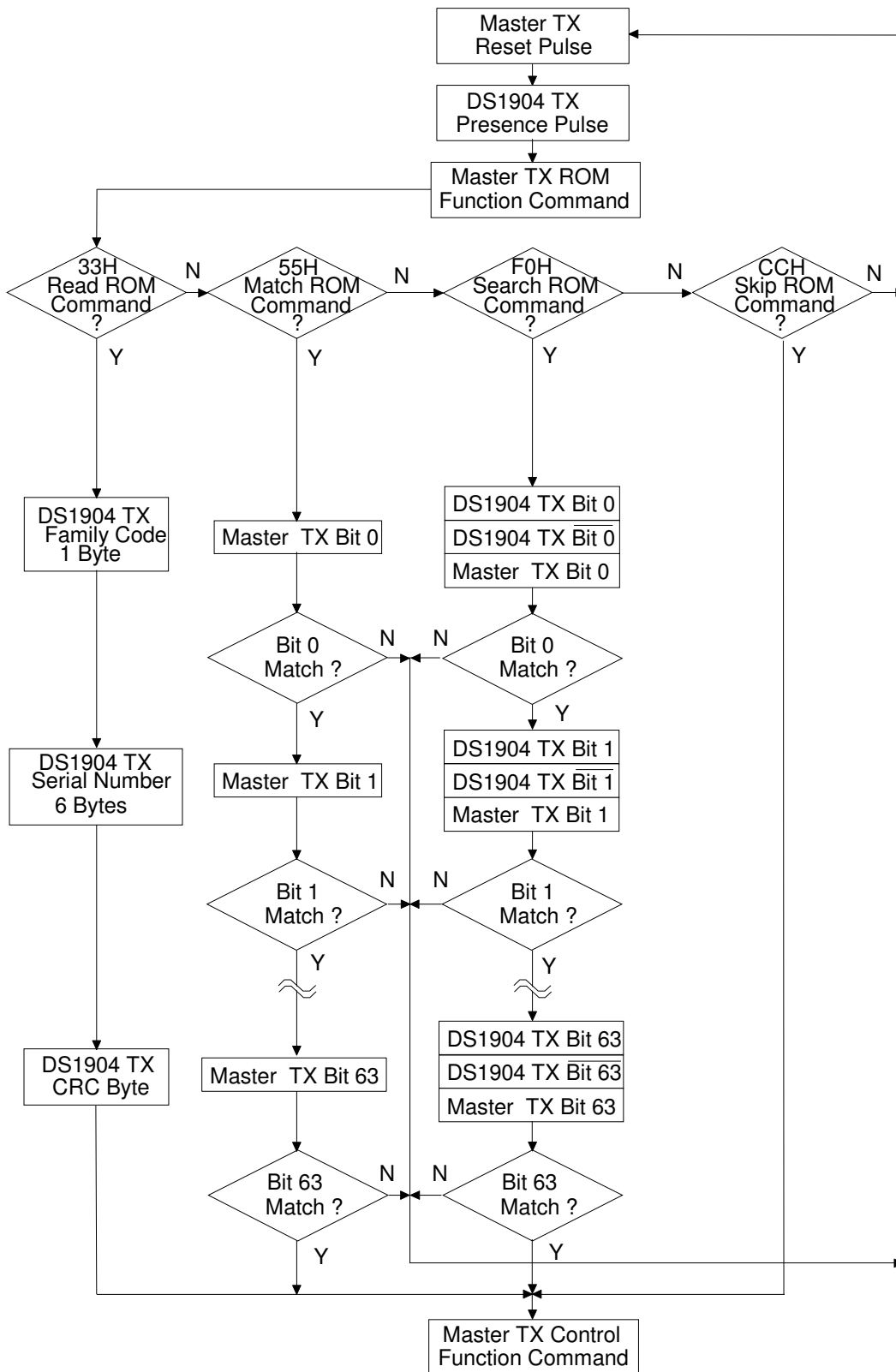
### Match ROM [55h]

The match ROM command, followed by a 64-bit ROM sequence, allows the bus master to address a specific DS1904 on a multidrop bus. Only the DS1904 that exactly matches the 64-bit ROM sequence will respond to the following clock function command. All slaves that do not match the 64-bit ROM sequence will wait for a reset pulse. This command can be used with a single or multiple devices on the bus.

### SEARCH ROM [F0h]

When a system is initially brought up, the bus master might not know the number of devices on the 1-Wire bus or their 64-bit ROM codes. The search ROM command allows the bus master to use a process of elimination to identify the 64-bit ROM codes of all slave devices on the bus. The search ROM process is the repetition of a simple 3-step routine: read a bit, read the complement of the bit, then write the desired value of that bit. The bus master performs this 3-step routine on each bit of the ROM. After one complete pass, the bus master knows the 64-bit ROM code of one device. Additional passes will identify the ROM codes of the remaining devices. See Chapter 5 of the *Book of iButton® Standards* for a comprehensive discussion of a search ROM, including an actual example.

# ROM FUNCTIONS FLOW CHART Figure 7



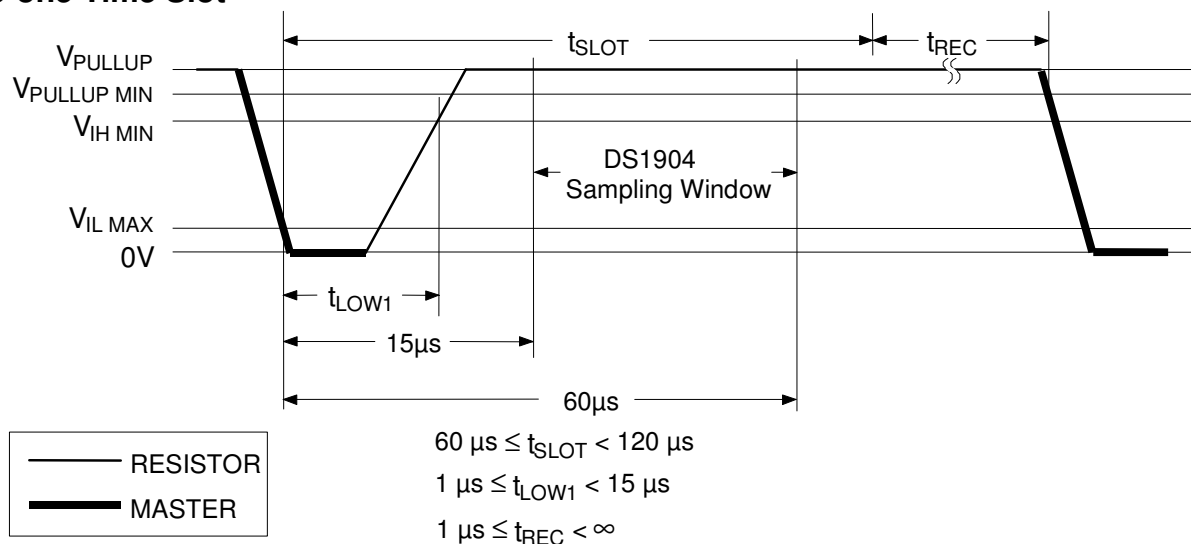
(SEE FIGURE 5)



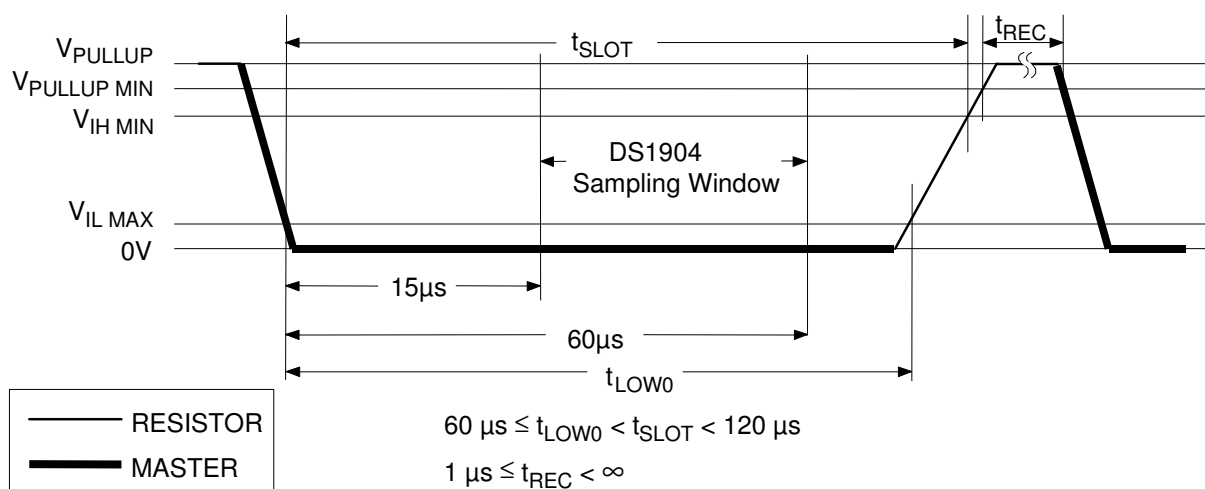


# READ/WRITE TIMING DIAGRAM Figure 9

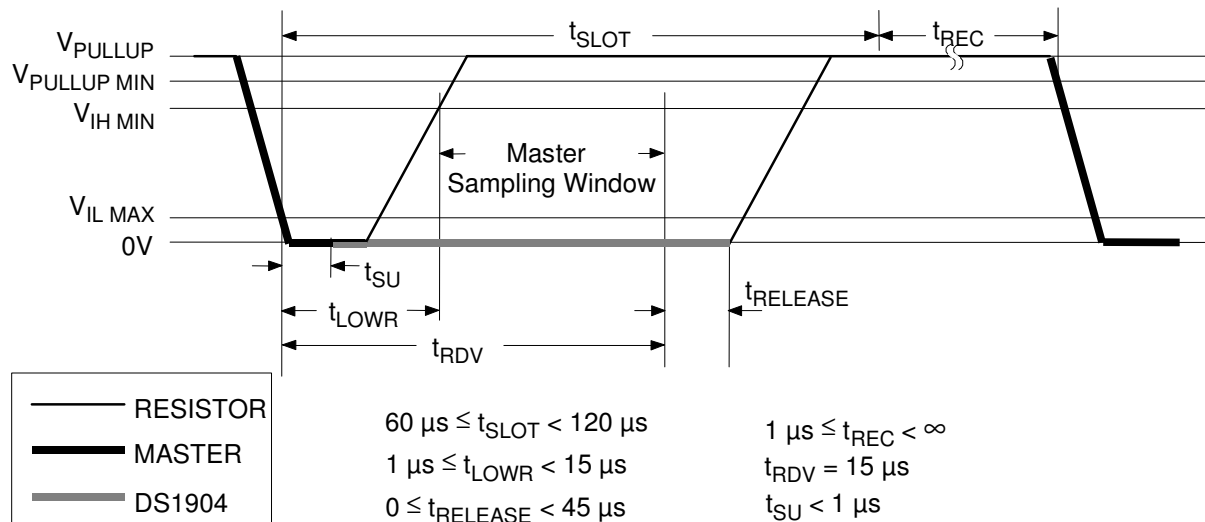
## Write-one Time Slot



## Write-zero Time Slot



## Read-data Time Slot



## PHYSICAL SPECIFICATION

Size	See mechanical drawing
Weight	3.3 grams
Expected Service Life	See Lifetime Graph

## ABSOLUTE MAXIMUM RATINGS

Voltage Range on 1-Wire to Ground	-0.5V to +7.0V
Operating Temperature Range	-40°C to +85°C*
Storage Temperature Range	-40°C to +85°C*

\* Storage or operation above +50°C significantly reduces battery life.

*This is a stress rating only and functional operation of the device at these or any other conditions above those indicated in the operation sections of this specification is not implied. Exposure to absolute maximum rating conditions for extended periods of time may affect reliability.*

## DC ELECTRICAL CHARACTERISTICS

( $T_A = -40^\circ\text{C}$  to  $+85^\circ\text{C}$ )

PARAMETER	SYMBOL	MIN	TYP	MAX	UNITS	NOTES
1-Wire Pullup Voltage	$V_{PUP}$	2.8		6.0	V	1, 2
Logic 1	$V_{IH}$	2.2		6.0	V	1
Logic 0	$V_{IL}$	-0.3		0.8	V	1, 3
Output Logic Low at 4 mA	$V_{OL}$			0.4	V	1
Input Load Current	$I_L$		5		$\mu\text{A}$	4

## CAPACITANCE

( $T_A = +25^\circ\text{C}$ )

PARAMETER	SYMBOL	MIN	TYP	MAX	UNITS	NOTES
Capacitance 1-Wire	$C_{IN}$			50	pF	5

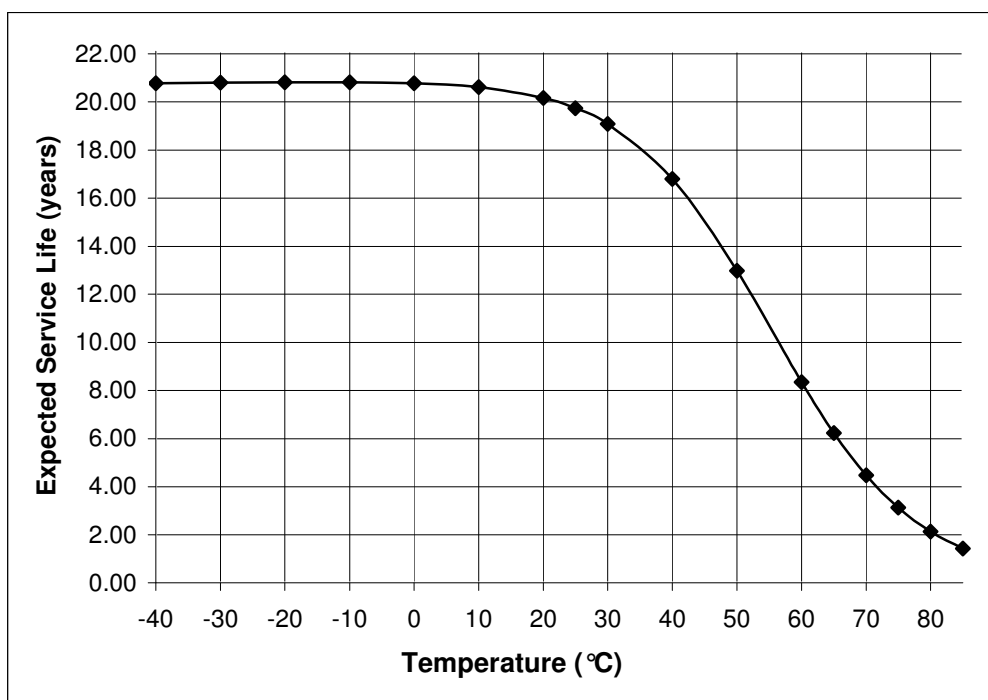
## AC ELECTRICAL CHARACTERISTICS

( $V_{PUP} = 2.8\text{V}$  to  $6.0\text{V}$ ,  $T_A = -40^\circ\text{C}$  to  $+85^\circ\text{C}$ )

PARAMETER	SYMBOL	MIN	TYP	MAX	UNITS	NOTES
Time Slot	$t_{SLOT}$	60		120	$\mu\text{s}$	
Write 1 Low Time	$t_{LOW1}$	1		15	$\mu\text{s}$	
Write 0 Low Time	$t_{LOW0}$	60		120	$\mu\text{s}$	
Read Low Time	$t_{LOWR}$	1		15	$\mu\text{s}$	
Read Data Valid	$t_{RDV}$	exactly 15			$\mu\text{s}$	6
Release Time	$t_{RELEASE}$	0	15	45	$\mu\text{s}$	
Read Data Setup	$t_{SU}$			1	$\mu\text{s}$	7
Recovery Time	$t_{REC}$	1			$\mu\text{s}$	
Reset High Time	$t_{RSTH}$	480			$\mu\text{s}$	
Reset Low Time	$t_{RSTL}$	480		960	$\mu\text{s}$	8
Presence Detect High	$t_{PDH}$	15		60	$\mu\text{s}$	
Presence Detect Low	$t_{PDL}$	60		240	$\mu\text{s}$	
RTC Accuracy at +25°C		-2		+2	min/mth	9

**NOTES:**

1. All voltages are referenced to ground.
2.  $V_{PUP}$  = external pull-up voltage; see Figure 6.
3. Under certain low voltage conditions  $V_{ILIMAX}$  may have to be reduced to as much as 0.5V to always guarantee a presence pulse.
4. Input load is to ground.
5. Guaranteed by design; not production tested.
6. The master must read while the data is valid.
7. Read data setup time refers to the time the host must pull the 1-Wire bus low to read a bit. Data is guaranteed to be valid within 1  $\mu$ s of this falling edge.
8. The reset low time ( $t_{RSTL}$ ) should be restricted to a maximum of 960  $\mu$ s, to allow interrupt signaling, otherwise, it could mask or conceal interrupt pulses.
9. This specification applies if the 1-Wire is idle (high or low). Communication on the 1-Wire may adversely affect the accuracy of the device. For highest accuracy, connect the DS1904 to a separate 1-Wire port and limit the access to the minimum acceptable by the application.

**PRODUCT LIFETIME VS. TEMPERATURE****PACKAGE INFORMATION**

For the latest package outline information and land patterns (footprints), go to [www.maximintegrated.com/packages](http://www.maximintegrated.com/packages). Note that a "+", "#", or "-" in the package code indicates RoHS status only. Package drawings may show a different suffix character, but the drawing pertains to the package regardless of RoHS status.

PACKAGE TYPE	PACKAGE CODE	OUTLINE NO.	LAND PATTERN NO.
F5 iButton	IB#5CB	<a href="#">21-0266</a>	—

**REVISION HISTORY**

<b>REVISION DATE</b>	<b>DESCRIPTION</b>	<b>PAGES CHANGED</b>
2/00	Initial release	—
8/09	Added # to the <i>Ordering Information</i> to reflect the conversion to a RoHS-compliant product.	1
4/11	Updated the UL certificate reference in the <i>Common iButton Features</i> and <i>Physical Specification</i> sections; relocated $V_{PUP}$ from the <i>DC Electrical Characteristics</i> global header to the table and deleted the $V_{OH}$ parameter; added reference to Figure 6 to the EC table note 2; added the <i>Package Information</i> section.	1, 11, 12
6/12	Changed the upper temperature limit from +70°C to +85°C; added lifetime graph; renumbered <i>Electrical Characteristics</i> table notes.	1, 11, 12
6/13	Deleted UL certificate references	1, 11



Maxim Integrated cannot assume responsibility for use of any circuitry other than circuitry entirely embodied in a Maxim Integrated product. No circuit patent licenses are implied. Maxim Integrated reserves the right to change the circuitry and specifications without notice at any time. The parametric values (min and max limits) shown in the *Electrical Characteristics* table are guaranteed. Other parametric values quoted in this data sheet are provided for guidance.

**Maxim Integrated 160 Rio Robles, San Jose, CA 95134 USA 1-408-601-1000**

© 2013 Maxim Integrated Products, Inc. Maxim Integrated and the Maxim Integrated logo are trademarks of Maxim Integrated Products, Inc.