



MICROCHIP

**PIC32 Ethernet Starter Kit
User's Guide**

Note the following details of the code protection feature on Microchip devices:

- Microchip products meet the specification contained in their particular Microchip Data Sheet.
- Microchip believes that its family of products is one of the most secure families of its kind on the market today, when used in the intended manner and under normal conditions.
- There are dishonest and possibly illegal methods used to breach the code protection feature. All of these methods, to our knowledge, require using the Microchip products in a manner outside the operating specifications contained in Microchip's Data Sheets. Most likely, the person doing so is engaged in theft of intellectual property.
- Microchip is willing to work with the customer who is concerned about the integrity of their code.
- Neither Microchip nor any other semiconductor manufacturer can guarantee the security of their code. Code protection does not mean that we are guaranteeing the product as "unbreakable."

Code protection is constantly evolving. We at Microchip are committed to continuously improving the code protection features of our products. Attempts to break Microchip's code protection feature may be a violation of the Digital Millennium Copyright Act. If such acts allow unauthorized access to your software or other copyrighted work, you may have a right to sue for relief under that Act.

Information contained in this publication regarding device applications and the like is provided only for your convenience and may be superseded by updates. It is your responsibility to ensure that your application meets with your specifications. MICROCHIP MAKES NO REPRESENTATIONS OR WARRANTIES OF ANY KIND WHETHER EXPRESS OR IMPLIED, WRITTEN OR ORAL, STATUTORY OR OTHERWISE, RELATED TO THE INFORMATION, INCLUDING BUT NOT LIMITED TO ITS CONDITION, QUALITY, PERFORMANCE, MERCHANTABILITY OR FITNESS FOR PURPOSE. Microchip disclaims all liability arising from this information and its use. Use of Microchip devices in life support and/or safety applications is entirely at the buyer's risk, and the buyer agrees to defend, indemnify and hold harmless Microchip from any and all damages, claims, suits, or expenses resulting from such use. No licenses are conveyed, implicitly or otherwise, under any Microchip intellectual property rights.

Trademarks

The Microchip name and logo, the Microchip logo, dsPIC, KEELOQ, KEELOQ logo, MPLAB, PIC, PICmicro, PICSTART, PIC³² logo, rPIC and UNI/O are registered trademarks of Microchip Technology Incorporated in the U.S.A. and other countries.

FilterLab, Hampshire, HI-TECH C, Linear Active Thermistor, MXDEV, MXLAB, SEEVAL and The Embedded Control Solutions Company are registered trademarks of Microchip Technology Incorporated in the U.S.A.

Analog-for-the-Digital Age, Application Maestro, CodeGuard, dsPICDEM, dsPICDEM.net, dsPICworks, dsSPEAK, ECAN, ECONOMONITOR, FanSense, HI-TIDE, In-Circuit Serial Programming, ICSP, Mindi, MiWi, MPASM, MPLAB Certified logo, MPLIB, MPLINK, mTouch, Omniscient Code Generation, PICC, PICC-18, PICDEM, PICDEM.net, PICKit, PICtail, REAL ICE, rLAB, Select Mode, Total Endurance, TSHARC, UniWinDriver, WiperLock and ZENA are trademarks of Microchip Technology Incorporated in the U.S.A. and other countries.

SQTP is a service mark of Microchip Technology Incorporated in the U.S.A.

All other trademarks mentioned herein are property of their respective companies.

© 2010, Microchip Technology Incorporated, Printed in the U.S.A., All Rights Reserved.

 Printed on recycled paper.

ISBN: 978-1-60932-721-7

Microchip received ISO/TS-16949:2002 certification for its worldwide headquarters, design and wafer fabrication facilities in Chandler and Tempe, Arizona; Gresham, Oregon and design centers in California and India. The Company's quality system processes and procedures are for its PIC[®] MCUs and dsPIC[®] DSCs, KEELOQ[®] code hopping devices, Serial EEPROMs, microperipherals, nonvolatile memory and analog products. In addition, Microchip's quality system for the design and manufacture of development systems is ISO 9001:2000 certified.

**QUALITY MANAGEMENT SYSTEM
CERTIFIED BY DNV
== ISO/TS 16949:2002 ==**



PIC32 ETHERNET STARTER KIT USER'S GUIDE

Table of Contents

Preface	5
Chapter 1. Introduction	
1.1 Kit Contents	11
1.2 PIC32 Functionality and Features	12
Chapter 2. Hardware	
2.1 Hardware Features	15
Appendix A. Board Layout and Schematics	
A.1 PIC32 Ethernet Starter Kit Block Diagram	19
A.2 PIC32 Ethernet Starter Kit Board Layout	20
A.3 PIC32 Ethernet Starter Kit Board Schematics	22
Appendix B. Bill of Materials	
Index	31
Worldwide Sales and Service	32

PIC32 Ethernet Starter Kit User's Guide

NOTES:

Preface

NOTICE TO CUSTOMERS

All documentation becomes dated, and this manual is no exception. Microchip tools and documentation are constantly evolving to meet customer needs, so some actual dialogs and/or tool descriptions may differ from those in this document. Please refer to our web site (www.microchip.com) to obtain the latest documentation available.

Documents are identified with a “DS” number. This number is located on the bottom of each page, in front of the page number. The numbering convention for the DS number is “DSXXXXA”, where “XXXX” is the document number and “A” is the revision level of the document.

For the most up-to-date information on development tools, see the MPLAB® IDE online help. Select the Help menu, and then Topics to open a list of available online help files.

INTRODUCTION

This chapter contains general information that will be useful to know before using the PIC32 Ethernet Starter Kit. Items discussed in this chapter include:

- [Document Layout](#)
- [Conventions Used in this Guide](#)
- [Recommended Reading](#)
- [The Microchip Web Site](#)
- [Development Systems Customer Change Notification Service](#)
- [Customer Support](#)
- [Document Revision History](#)

DOCUMENT LAYOUT

This document describes how to use the PIC32 Ethernet Starter Kit (all also referred to as “starter kit”) as a development tool to emulate and debug firmware on a target board. This user’s guide is composed of the following chapters:

- **Chapter 1. “Introduction”** provides a brief overview of the starter kit, highlighting its features and uses.
- **Chapter 2. “Hardware”** provides the hardware descriptions of the starter kit.
- **Appendix A. “Board Layout and Schematics”** provides a block diagram, board layouts, and detailed schematics of the starter kit.

PIC32 Ethernet Starter Kit User's Guide

CONVENTIONS USED IN THIS GUIDE

This manual uses the following documentation conventions:

DOCUMENTATION CONVENTIONS

Description	Represents	Examples
Arial font:		
Italic characters	Referenced books	<i>MPLAB[®] IDE User's Guide</i>
	Emphasized text	...is the <i>only</i> compiler...
Initial caps	A window	the Output window
	A dialog	the Settings dialog
	A menu selection	select Enable Programmer
Quotes	A field name in a window or dialog	"Save project before build"
Underlined, italic text with right angle bracket	A menu path	<u><i>File>Save</i></u>
Bold characters	A dialog button	Click OK
	A tab	Click the Power tab
Text in angle brackets < >	A key on the keyboard	Press <Enter>, <F1>
Courier New font:		
Plain Courier New	Sample source code	<code>#define START</code>
	Filenames	<code>autoexec.bat</code>
	File paths	<code>C:\mcc18\h</code>
	Keywords	<code>_asm, _endasm, static</code>
	Command-line options	<code>-Opa+, -Opa-</code>
	Bit values	<code>0, 1</code>
	Constants (in source code)	<code>0xFF, 'A'</code>
<i>Italic Courier New</i>	A variable argument	<i>file.o</i> , where file can be any valid filename
Square brackets []	Optional arguments	<code>mcc18 [options] file [options]</code>
Curly brackets and pipe character: { }	Choice of mutually exclusive arguments; an OR selection	<code>errorlevel {0 1}</code>
Ellipses...	Replaces repeated text	<code>var_name [, var_name...]</code>
	Represents code supplied by user	<code>void main (void) { ... }</code>

RECOMMENDED READING

This user's guide describes how to use the starter kit. The following Microchip documents are available and recommended as supplemental reference resources.

PIC32MX5XX/6XX/7XX Family Data Sheet (DS61156)

Refer to this document for detailed information on PIC32 devices. Reference information found in this data sheet includes:

- Device memory maps
- Device pinout and packaging details
- Device electrical specifications
- List of peripherals included on the devices

MPLAB[®] C Compiler for PIC32 User's Guide (DS51686)

This document, formerly the "*MPLAB C32 C Compiler for PIC32 User's Guide*", details the use of Microchip's MPLAB C Compiler for PIC32 to develop an application.

MPLAB[®] IDE User's Guide (DS51519)

Refer to this document for more information pertaining to the installation and implementation of the MPLAB IDE software, as well as the MPLAB Editor and MPLAB SIM Simulator software that are included with it.

Universal Serial Bus Specification and Associated Documents

The Universal Serial Bus is defined by the USB 2.0 specification and its associated supplements and class-specific documents. These documents are available from the USB Implementers Forum. See their web site at: <http://www.usb.org>

THE MICROCHIP WEB SITE

Microchip provides online support via our web site at <http://www.microchip.com>. This web site makes files and information easily available to customers. Accessible by most Internet browsers, the web site contains the following information:

- **Product Support** – Data sheets and errata, application notes and sample programs, design resources, user's guides and hardware support documents, latest software releases and archived software
- **General Technical Support** – Frequently Asked Questions (FAQs), technical support requests, online discussion groups, Microchip consultant program member listings
- **Business of Microchip** – Product selector and ordering guides, latest Microchip press releases, listings of seminars and events; and listings of Microchip sales offices, distributors and factory representatives

PIC32 Ethernet Starter Kit User's Guide

DEVELOPMENT SYSTEMS CUSTOMER CHANGE NOTIFICATION SERVICE

Microchip's customer notification service helps keep customers current on Microchip products. Subscribers will receive e-mail notification whenever there are changes, updates, revisions or errata related to a specified product family or development tool of interest.

To register, access the Microchip web site at <http://www.microchip.com>, click **Customer Change Notification** and follow the registration instructions.

The Development Systems product group categories are:

- **Compilers** – The latest information on Microchip C compilers and other language tools. These include the MPLAB[®] C compiler; MPASM[™] and MPLAB 16-bit assemblers; MPLINK[™] and MPLAB 16-bit object linkers; and MPLIB[™] and MPLAB 16-bit object librarians.
- **Emulators** – The latest information on the Microchip MPLAB REAL ICE[™] in-circuit emulator.
- **In-Circuit Debuggers** – The latest information on the Microchip in-circuit debugger, MPLAB ICD 3.
- **MPLAB IDE** – The latest information on Microchip MPLAB IDE, the Windows[®] Integrated Development Environment for development systems tools. This list is focused on the MPLAB IDE, MPLAB SIM simulator, MPLAB IDE Project Manager and general editing and debugging features.
- **Programmers** – The latest information on Microchip programmers. These include the MPLAB PM3 device programmer and the PICKit[™] 3 development programmers.

CUSTOMER SUPPORT

Users of Microchip products can receive assistance through several channels:

- Distributor or Representative
- Local Sales Office
- Field Application Engineer (FAE)
- Technical Support

Customers should contact their distributor, representative or field application engineer (FAE) for support. Local sales offices are also available to help customers. A listing of sales offices and locations is included in the back of this document.

Technical support is available through the web site at: <http://support.microchip.com>

DOCUMENT REVISION HISTORY

Revision A (December 2010)

This is the initial release of the PIC32 Ethernet Starter Kit User's Guide.

PIC32 Ethernet Starter Kit User's Guide

NOTES:

Chapter 1. Introduction

Thank you for purchasing a Microchip Technology PIC32 Ethernet Starter Kit. This board provides a low-cost, modular development system for Microchip's line of 32-bit microcontrollers.

The starter kit comes preloaded with demonstration software for the user to explore the new features of the PIC32. It is also expandable through a modular expansion interface, which allows the user to extend its functionality. The starter kit also supplies on-board circuitry for full debug and programming capabilities.

This chapter covers the following topics:

- [Kit Contents](#)
- [PIC32 Functionality and Features](#)

The preprogrammed example code on the PIC32 MCU is available via download from the Microchip web site at <http://www.microchip.com>. All project files have been included so that the code may be used directly to restore the PIC32 MCU on the starter kit to its original state (i.e., if the sample device has been reprogrammed with another program) or so you can use the tutorial code as a platform for further experimentation.

1.1 KIT CONTENTS

The PIC32 Ethernet Starter Kit contains the following items:

- PIC32 Ethernet Starter Kit development board
- USB mini-B to full-sized A cable – USB debug cable to debug and power the board
- USB micro-B to full-sized A cable – PIC32 USB cable to communicate with the PIC32 USB port
- RJ-45 CAT5 Ethernet patch cable – Ethernet CAT5 cable to communicate with the PIC32 Ethernet port

Note: If you are missing any part of a kit, contact a Microchip sales office for assistance. A list of Microchip offices for sales and service is provided on the back page of this document.

PIC32 Ethernet Starter Kit User's Guide

1.2 PIC32 FUNCTIONALITY AND FEATURES

Representations of the layout of the PIC32 Ethernet Starter Kit are shown in [Figure 1-1](#) and [Figure 1-2](#).

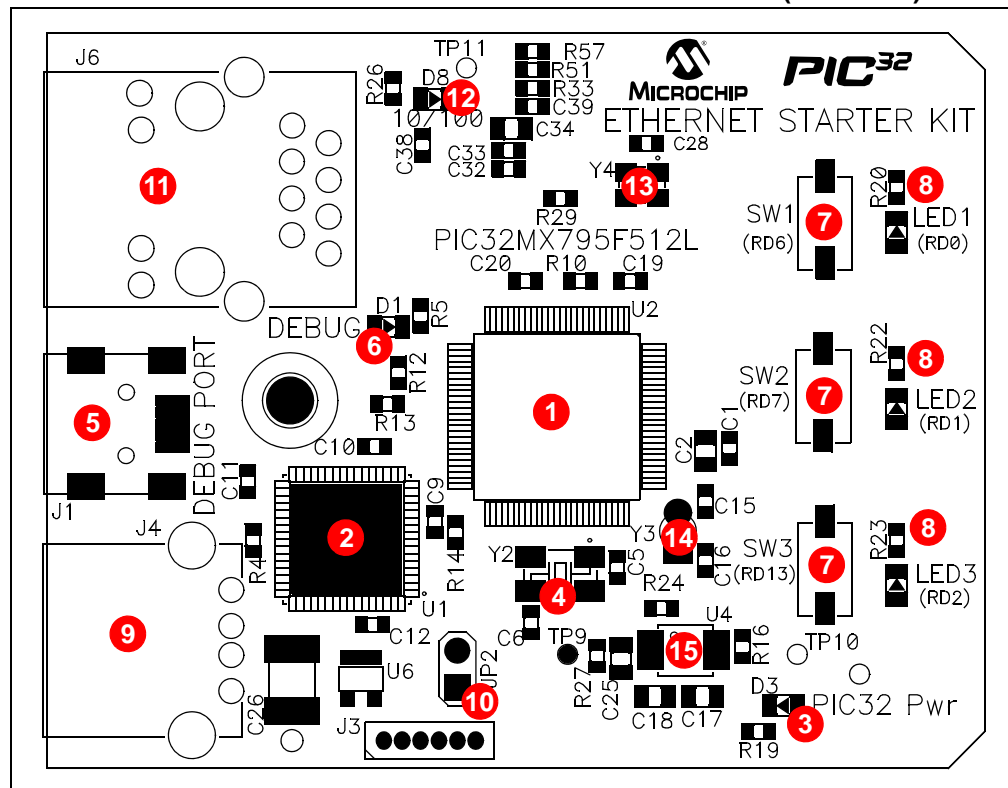
The top assembly of the board includes these key features, as indicated in [Figure 1-1](#):

1. PIC32MX795F512L 32-bit microcontroller.
2. PIC32MX440F512H USB microcontroller for on-board debugging.
3. Green power indicator LED.
4. On-board crystal for precision microcontroller clocking (8 MHz).
5. USB connectivity for on-board debugger communications.
6. Orange debug indicator LED.
7. Three push button switches for user-defined inputs.
8. Three user-defined indicator LEDs.
9. USB Type A receptacle connectivity for PIC32 host-based applications.
10. HOST mode power jumper.
11. RJ-45 Ethernet port.
12. Ethernet 10/100 bus speed indicator LED.
13. 50 MHz Ethernet PHY oscillator.
14. 32 kHz oscillator (optional).
15. USB Host and OTG power supply for powering PIC32 USB applications.

Note: When running self-powered USB device applications, open the jumper JP2 to prevent possibly back-feeding voltage onto the VBUS from one port on the host to another (or from one host to another).

For details on these features, refer to [Chapter 2. "Hardware"](#).

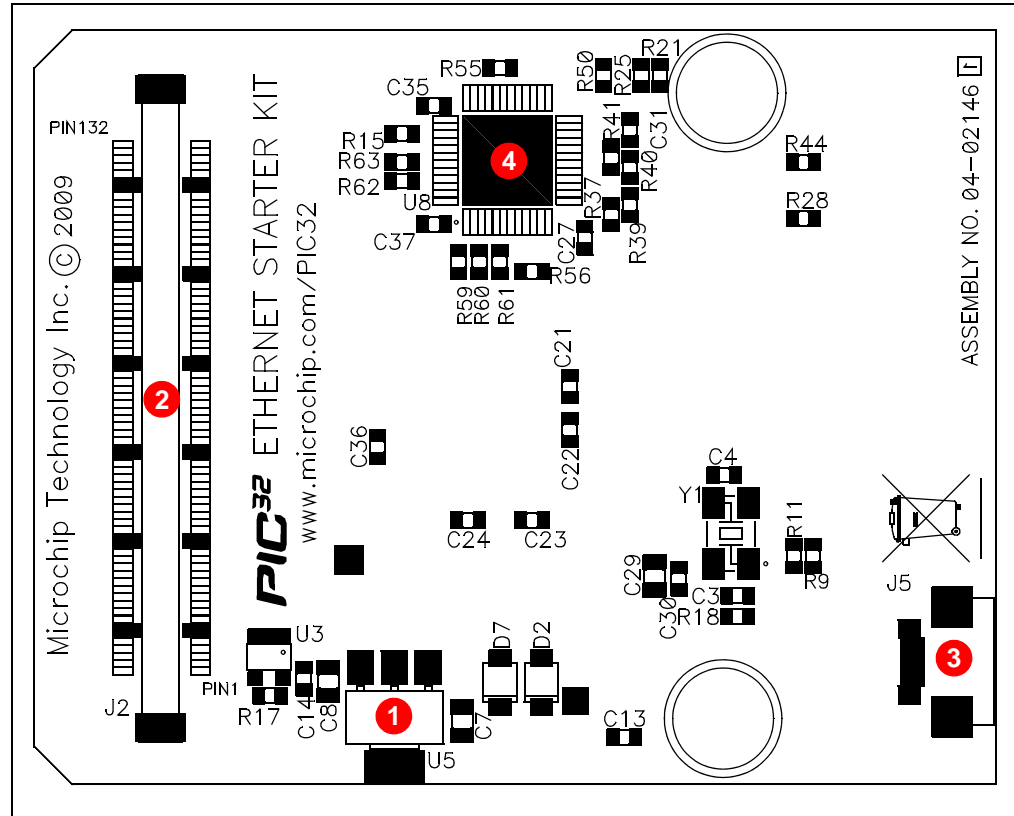
FIGURE 1-1: PIC32 ETHERNET STARTER KIT LAYOUT (TOP SIDE)



The bottom assembly of the board includes these key features, as indicated in [Figure 1-2](#):

1. Regulated +3.3V power supply for powering the starter kit via USB or expansion board.
2. Connector for various expansion boards.
3. USB Type micro-AB receptacle for OTG and USB device connectivity for PIC32 OTG/device-based applications.
4. External Ethernet PHY.

FIGURE 1-2: PIC32 ETHERNET STARTER KIT LAYOUT (UNDERSIDE)



PIC32 Ethernet Starter Kit User's Guide

NOTES:

Chapter 2. Hardware

This chapter describes the hardware features of the PIC32 Ethernet Starter Kit.

2.1 HARDWARE FEATURES

The key features of the PIC32 Ethernet Starter Kit are listed below. They are presented in the order given in [Section 1.2 “PIC32 Functionality and Features”](#). You can refer to [Figure 1-1](#) for their locations on the board.

2.1.1 Processor Support

The PIC32 Ethernet Starter Kit is designed with a permanently mounted (i.e., soldered) PIC32MX795F512L processor.

2.1.2 Power Supply

There are two ways to supply power to the PIC32 Ethernet Starter Kit:

- USB bus power connected to USB debug connector J1.
- An external application board with a regulated DC power supply that provides +5V can be connected to the J2 application board connector that is provided on the bottom side of the board.

One green LED (D3) is provided to show that the PIC32 microcontroller is powered up.

2.1.3 Debug USB Connectivity

The PIC32 Ethernet Starter Kit includes a PIC32MX440F512H USB microcontroller that provides debugger connectivity over USB. The PIC32MX440F512H is hard-wired to the PIC32 device to provide two types of protocol translation:

- I/O pins of PIC32MX440F512H to the ICSP™ pins of the PIC32
- I/O pins of PIC32MX440F512H to the JTAG pins of the PIC32

The PIC32 Ethernet Starter Kit currently uses the JTAG pins of the PIC32 device for programming and debugging.

2.1.4 PIC32 USB Connectivity

There are three possible ways to connect to the PIC32 USB microcontroller:

- HOST Mode

Connect the device to the Type A connector J4, located on the top side of the starter kit. If using the Debug USB port to power the Host port, install jumper JP2 to short the back-power prevention diode. Note that a maximum of ~400 mA can be supplied from the Debug USB port to the Host port using this method.

If the full 500 mA supply is needed, an external supply must be connected to the application board and jumper JP2 must be removed to prevent back-powering the Debug USB port.

PIC32 Ethernet Starter Kit User's Guide

- **DEVICE Mode**

First, connect the debug mini-B USB cable to port J1. Next, connect the starter kit to the host using a cable with a Type-B micro-plug to the starter kit's micro-A/B port J5, located on the bottom side of the starter kit. The other end of the cable must have a Type-A plug. Connect it to a USB host. Jumper JP2 should be removed.

- **OTG Mode**

Connect the starter kit to the OTG device using an OTG micro-A/B cable to the micro-A/B port J5, located on the bottom side of the starter kit. The starter kit provides an on-board power supply capable of providing 120 mA Max. This supply is controlled by the PIC32MX795F512L microcontroller. Jumper JP2 should be removed.

2.1.5 Switches

Push button switches provide the following functionality:

- SW1: Active-low switch connected to RD6
- SW2: Active-low switch connected to RD7
- SW3: Active-low switch connected to RD13

The switches do not have any debounce circuitry and require the use of internal pull-up resistors; this allows you to investigate software debounce techniques. When Idle, the switches are pulled high (+3.3V). When pressed, they are grounded.

2.1.6 LEDs

The RD0 through RD2 LEDs are connected to PORTD of the processor. The PORTD pins are set high to light the LEDs.

2.1.7 Oscillator Options

The installed microcontroller has an oscillator circuit connected to it. The main oscillator uses an 8 MHz crystal (Y2) and functions as the controller's primary oscillator. Use of an external crystal is required to develop USB applications. The USB specification dictates a frequency tolerance of $\pm 0.25\%$ for full speed. Non-USB applications can use the internal oscillators. The starter kit also has provisions for an external secondary 32 kHz oscillator (Y3); however, this is not populated. A suitable oscillator, the ECS-3X8, can be obtained from Digi-Key: Part no. X801-ND CMR200TB32.768KDZFTR.

The PIC32MX440F512H is independently clocked and has its own 8 MHz crystal (Y1).

2.1.8 120-Pin Modular Expansion Connector

The PIC32 Ethernet Starter Kit has been designed with a 120-pin modular expansion interface, which allows the board to provide basic generic functionality now, and easy extendability to new technologies as they become available.

TABLE 2-1: STARTER KIT CONNECTOR PART NUMBERS

Connector	HIROSE Electric PN
Starter Kit Connector	FX10A-120P/12-SV1(71)
Application Board Connector	FX10A-120S/12-SV(71)

2.1.9 Ethernet PHY

The PIC32 Ethernet Starter Kit has been designed with a National DP83848 PHY for connecting the starter kit using an RJ-45 cable to a network. The interface between the PHY and the PIC32 has been configured for the industry standard RMII interface and has been isolated from the Modular Expansion Connector. LED D8 indicates the Ethernet bus speed. When lit, the bus speed is 100 Mbps; when off, the bus speed is 10 Mbps.

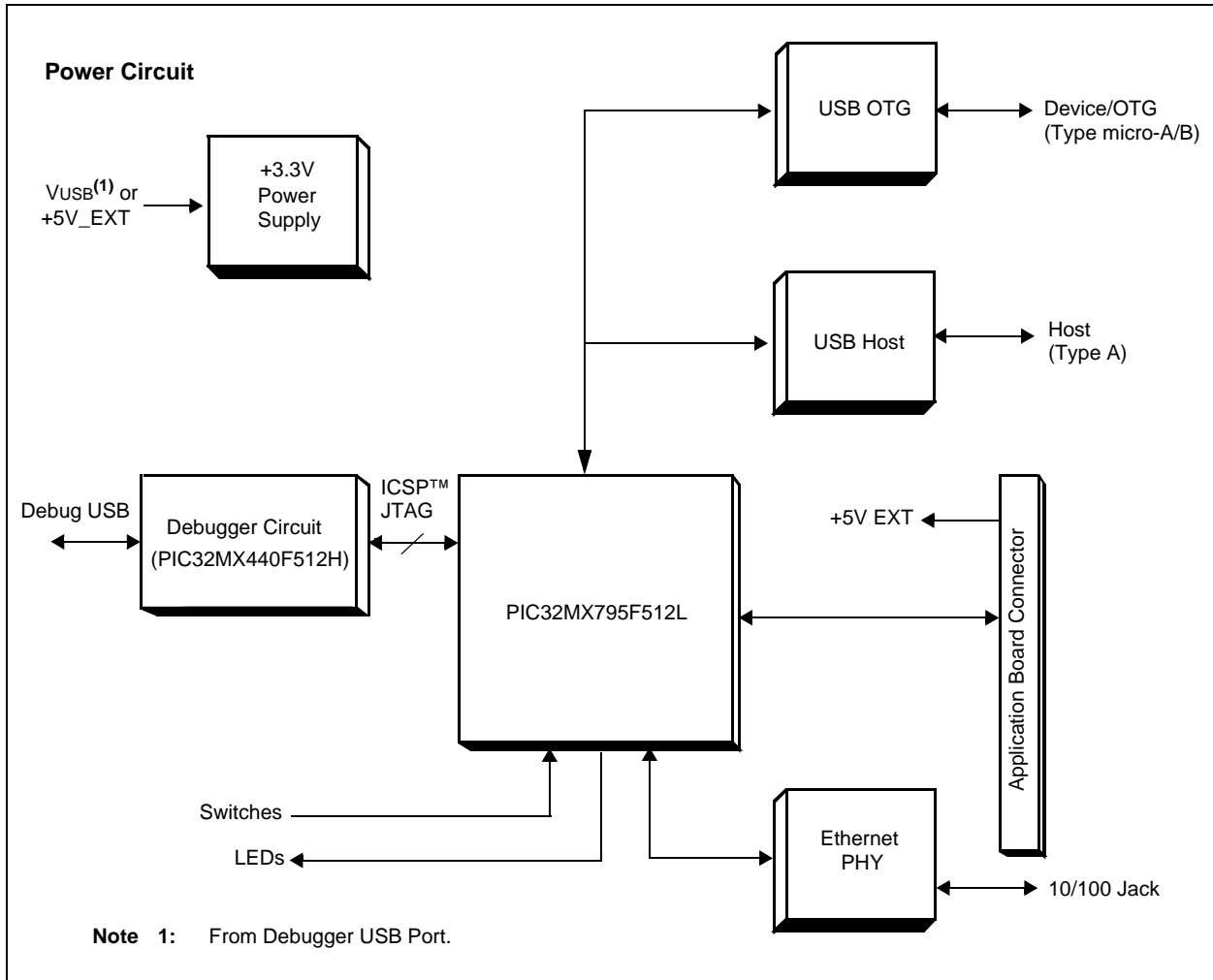
PIC32 Ethernet Starter Kit User's Guide

NOTES:

Appendix A. Board Layout and Schematics

A.1 PIC32 ETHERNET STARTER KIT BLOCK DIAGRAM

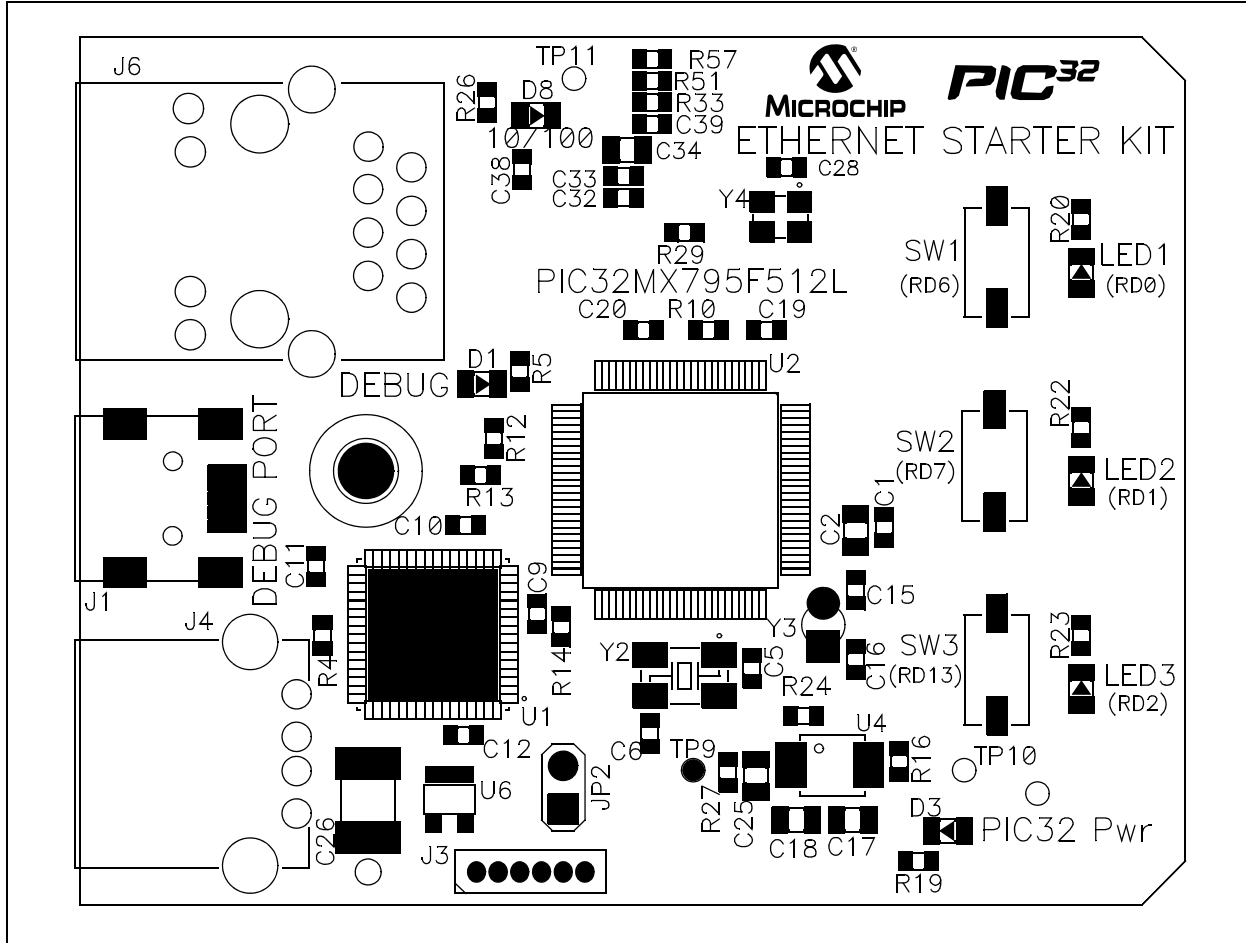
FIGURE A-1: HIGH-LEVEL BLOCK DIAGRAM OF THE PIC32 ETHERNET STARTER KIT



PIC32 Ethernet Starter Kit User's Guide

A.2 PIC32 ETHERNET STARTER KIT BOARD LAYOUT

FIGURE A-2: PIC32 ETHERNET STARTER KIT LAYOUT (TOP ASSEMBLY)



Board Layout and Schematics

FIGURE A-3: PIC32 ETHERNET STARTER KIT LAYOUT (BOTTOM ASSEMBLY)

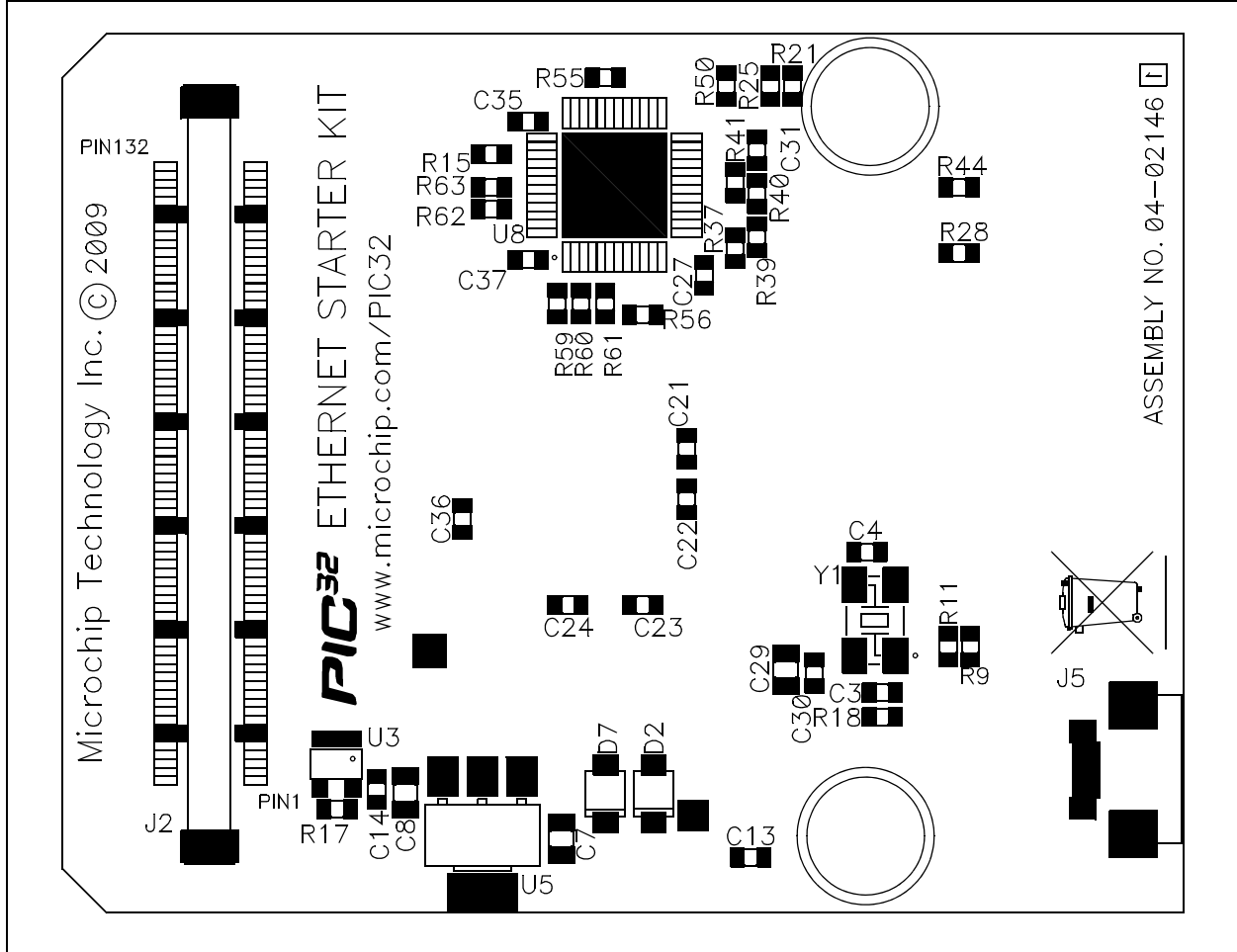


FIGURE A-5: PIC32 ETHERNET STARTER KIT (PIC32 DEVICE)

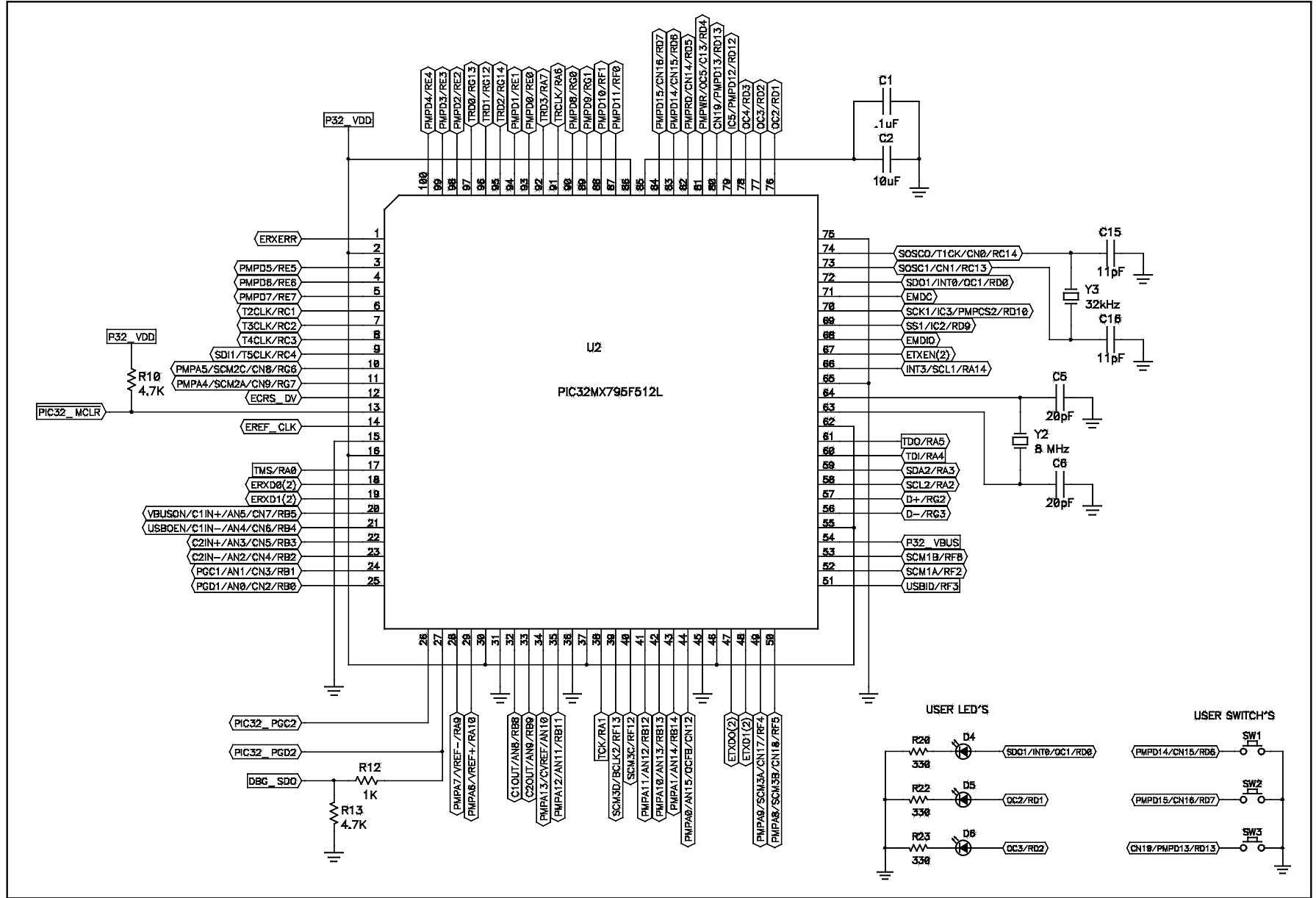


FIGURE A-6: PIC32 ETHERNET STARTER KIT (USB HOST AND OTG POWER SUPPLIES)

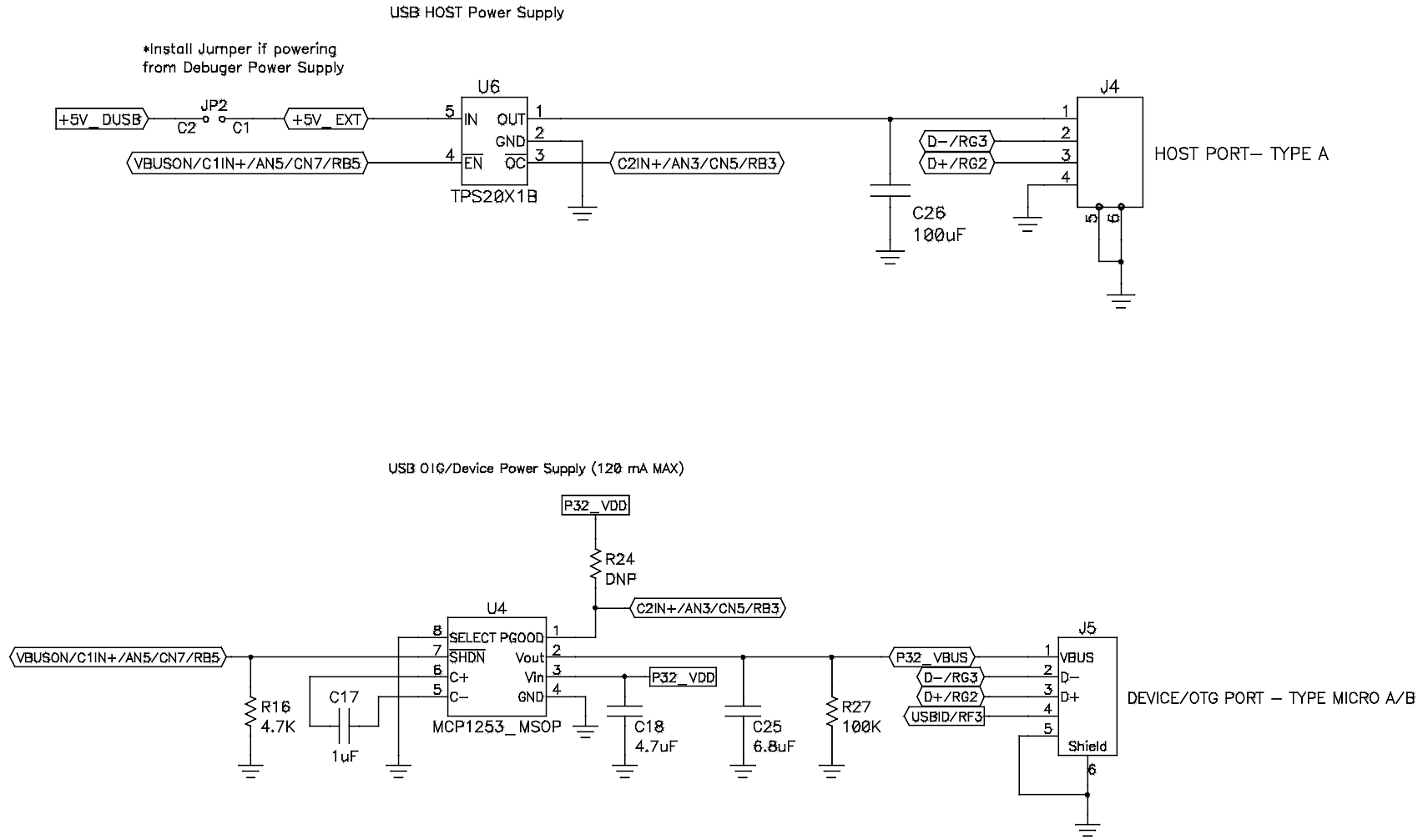
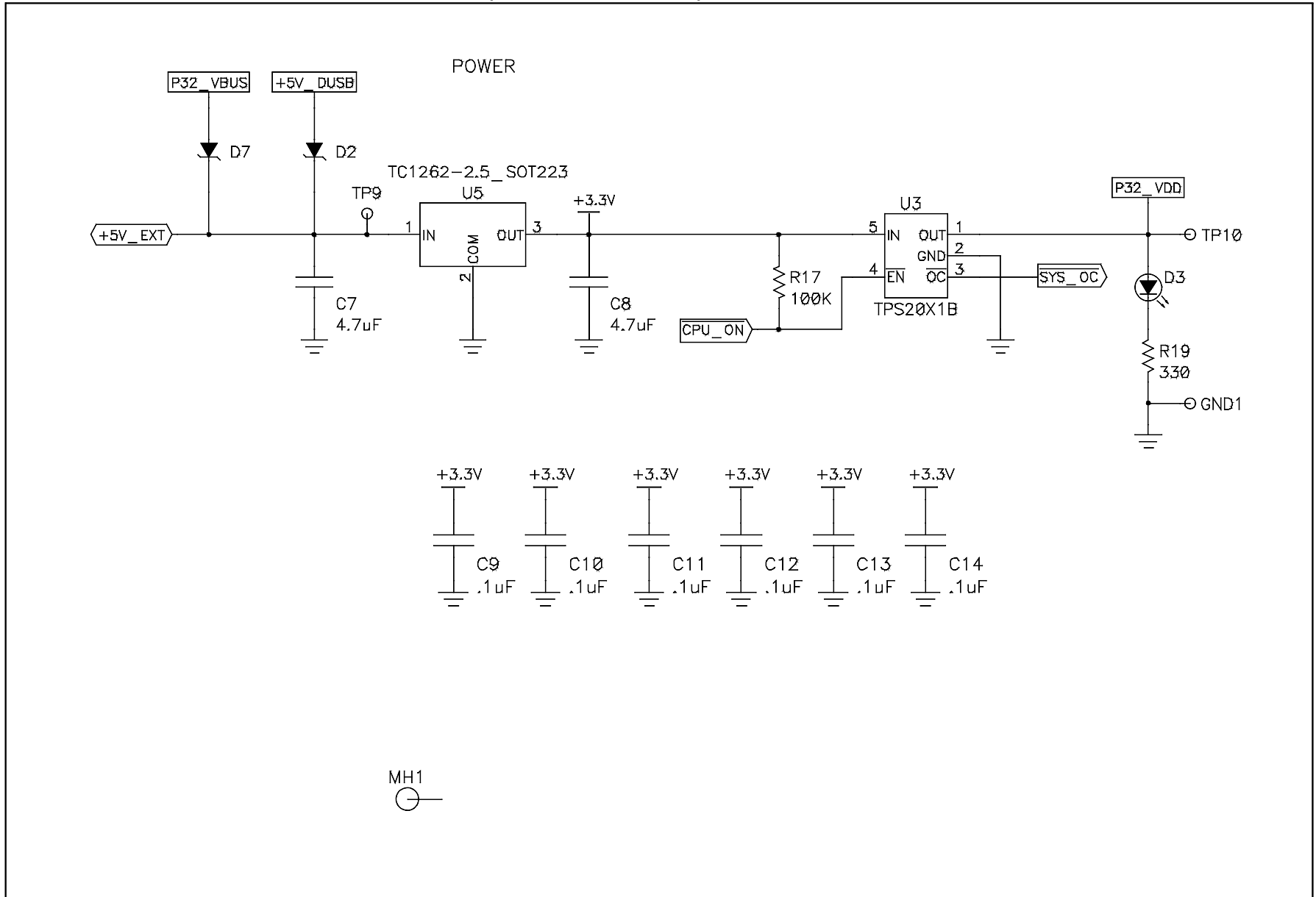


FIGURE A-8: PIC32 ETHERNET STARTER KIT (3.3V POWER SUPPLY)



PIC32 Ethernet Starter Kit User's Guide

NOTES:

Appendix B. Bill of Materials

TABLE B-1: PIC32 ETHERNET STARTER KIT BILL OF MATERIALS

Reference	Description	Manufacturer	Part No.
U4	IC SMT, MCP1253, DC/DC Converter 3.3V 8L MSOP	Microchip	MCP1253-33X50I/MS
U1	IC SMT, PIC32MX440F512H-80I/MR 64P QFN	Microchip	PIC32MX440F512H-80I/MR
U2	IC SMT, PIC32MX795F512L 100L TQFP	Microchip	PIC32MX795F512L-80I/PT
U5	IC SMT, TC1262-3.3VDB, SOT-223	Microchip	TC1262-3.3VDBTR
C1, C9-C14, C27, C28, C30-C33, C35-C39	CAP SMT, 0.1 μ F 0603 CER 16V 10% X7R	Panasonic	ECJ-1VB1C104K
C17	CAP SMT, 1.0 μ F 0805 CER 16V 10% X7R	Kemet	C0805C105K4RACTU
C2, C29, C34	CAP SMT, 10 μ F 0805 CER 6.3V 20% , X5R	Panasonic	ECJ-2FB0J106M
C7, C8, C18	CAP SMT, 4.7 μ F 0805 CER 16V +80-20% Y5V	Panasonic	ECJ-2FB0J475K
C3-C6	CAP SMT, 20 pF 0603 CER 50V, 5% C0G	Rohm	MCH185A200JK
C25	CAP SMT, 6.8 μ F 0805 CER 6.3V 10% X5R	Kemet	C0805C685K9PACTU
C26	CAP SMT, 100 μ F 1812 CER 6.3V -20%,+80% Y5V	Panasonic	ECJ-5YF0J107Z
JP2	CONN, HDR, 1x2 Breakaway, 0.100" Pitch, 0.025 SQ Post (0.100"/0.230")	Samtec	TSW-102-07-G-S
	CONN, Shunt, 2-pin Shorting Shunt (.100" Spacing)	Sullins	SSC02SYAN
J1	CONN SMT, RECPT, USB Mini-B 5POS RA	Delphi	15430262-110
J2	CONN, SMT, HDR, 120P, w/Post	Hirose Electronics	
J4	CONN, RECPT, USB Type-A w/Board Lock	FCI	87520-0010BLF
J5	CONN, RECPT, USB Micro-B SMD TH SHLL	Hirose Electronics	ZX62D-AB-5P8
D2, D7	Diode SMT, Schottky 30V 0.5A SOD-123	On Semiconductor	MBR0530T1G
U6	IC SMT, TPS20X1 .75A Power DIST Switch 5-SOT23	Texas Instruments	TPS2051BDBVR
U3	IC SMT, TPS2041 1A PWR DIST Switch SNGL SOT23-5	Texas Instruments	TPS2041BDBVR
LED1	LED SMT, 0805 Red DIFF 2x1.25 mm Thin	Lumex	SML-LXT0805IW-TR
D1, LED2	LED SMT, 0805 Yellow DIFF 2x1.25 mm Thin	Lumex	SML-LXT0805YW-TR
D3, D8, LED3	LED SMT, 0805 Green DIFF 2x1.25 mm	Lumex	SML-LXT0805GW-TR
Y1, Y2	OSC SMT, Crystal 8.000 MHz 18 pF SMD	Abracon Corp.	ABM3B-8.000MHZ-B2-T
R4, R9, R11, R12	RES SMT, 1.0 K Ω 1/10W 5% 0603	Panasonic	ERJ-3GEYJ102V
R10, R13, R14, R16, R18	RES SMT, 4.7 K Ω 1/10W 5% 0603	Panasonic	ERJ-3GEYJ472V

PIC32 Ethernet Starter Kit User's Guide

TABLE B-1: PIC32 ETHERNET STARTER KIT BILL OF MATERIALS (CONTINUED)

Reference	Description	Manufacturer	Part No.
R5, R19, R20, R22, R23	RES SMT, 330Ω 1/10W 5% 0603	Panasonic	ERJ-3GEYJ331V
R17	RES SMT, 100 KΩ 1/10W 1% 0603	Panasonic	PANASONIC ERJ-3EKF1003V
S1-S3	Switch, Light Touch 160 gF	Panasonic	EVQ-PPBA25
J6	CONN, MAGJACK 1PORT SHLD 10/100BT and LEDs	Bel Stewart	SI-60062-F
U8	IC SMT, TXRX Ethernet PHYTER 48-LQFP	National	DP83848CVV/NOPB
Y4	OSC SMT, Oscillator 50.0000 MHz 3.3V	AVX	ECS-80-20-5PVX
R55, R56	RES SMT, 1.5 KΩ 1/10W 1% 0603	Panasonic	ERJ-3EKF1501V
R15, R21, R25, R33, R51, R57	RES SMT, 2.2 KΩ 1/16W 1% 0603	SPC Technology	MC0603WGF2201T5E-TC
R29, R59-R63	RES SMT, 33Ω 1/10W 5% 0603	Panasonic	ERJ-3GEYJ330V
R37, R39-R41	RES SMT, 49.9Ω 1/10W 1% 0603	Rohm	MCR03EZPFX49R9
R28, R44	RES SMT, 249Ω 1/10W 1% 0603	Yageo	RC0603FR-07249RL
R26	RES SMT, 510Ω 1/16W 1% 100 PPM 0603	Yageo/Phyco	9C06031A5100FKHFT
R50	RES SMT, 4.87 KΩ 1/10W 1% 0603	Yageo	RC0603FR-074K87L
C18, C15, C16, GND1, J3, R24, R27, TP9, TP10, TP11, Y3	Spare Location, Do Not Install	—	—

Index

C		S	
Customer Change Notification Service	8	Starter Kit Board	
Customer Support	8	Block Diagram.....	19
D		Starter Kit Layout	
Documentation		Bottom Assembly	13, 21
Conventions	6	Top Assembly	12, 20
H		Starter Kit Schematics	
Hardware Features		3.3V Power Supply	26
LEDs	15, 16	Application board connector	27
Oscillator Options	16	Debugger	25
PICtail Plus Card Edge Connectors.....	16	Ethernet	22
Power Supply.....	15	PIC32 device.....	23
Processor Support	15	USB Host and OTG power supplies	24
Switches	16	U	
USB Connectivity	15	USB	
I		Connectivity	15
Internet Address.....	7	W	
M		WWW Address.....	7
Microchip Internet Web Site	7		
MPLAB IDE Simulator, Editor User's Guide.....	7		
P			
PIC32			
Layout			
32-bit microcontroller	12		
Debug indicator LED	12		
Ethernet 10/100 Bus Speed LED	12		
Ethernet PHY oscillator	12		
Expansion board connector	13		
External Ethernet PHY	13		
HOST mode power jumper	12		
On-board crystal	12		
Optional 32 kHz oscillator.....	12		
Power supply	13		
Power-indicator LED.....	12		
RJ-45 Ethernet port	12		
Switches	12		
USB connectivity	12		
USB Host and OTG power supply.....	12		
USB microcontroller.....	12		
USB Type A receptacle	12		
USB Type micro-AB receptacle	13		
User-defined LEDs	12		



MICROCHIP

Worldwide Sales and Service

AMERICAS

Corporate Office
2355 West Chandler Blvd.
Chandler, AZ 85224-6199
Tel: 480-792-7200
Fax: 480-792-7277
Technical Support:
<http://support.microchip.com>
Web Address:
www.microchip.com

Atlanta
Duluth, GA
Tel: 678-957-9614
Fax: 678-957-1455

Boston
Westborough, MA
Tel: 774-760-0087
Fax: 774-760-0088

Chicago
Itasca, IL
Tel: 630-285-0071
Fax: 630-285-0075

Cleveland
Independence, OH
Tel: 216-447-0464
Fax: 216-447-0643

Dallas
Addison, TX
Tel: 972-818-7423
Fax: 972-818-2924

Detroit
Farmington Hills, MI
Tel: 248-538-2250
Fax: 248-538-2260

Kokomo
Kokomo, IN
Tel: 765-864-8360
Fax: 765-864-8387

Los Angeles
Mission Viejo, CA
Tel: 949-462-9523
Fax: 949-462-9608

Santa Clara
Santa Clara, CA
Tel: 408-961-6444
Fax: 408-961-6445

Toronto
Mississauga, Ontario,
Canada
Tel: 905-673-0699
Fax: 905-673-6509

ASIA/PACIFIC

Asia Pacific Office
Suites 3707-14, 37th Floor
Tower 6, The Gateway
Harbour City, Kowloon
Hong Kong
Tel: 852-2401-1200
Fax: 852-2401-3431

Australia - Sydney
Tel: 61-2-9868-6733
Fax: 61-2-9868-6755

China - Beijing
Tel: 86-10-8528-2100
Fax: 86-10-8528-2104

China - Chengdu
Tel: 86-28-8665-5511
Fax: 86-28-8665-7889

China - Chongqing
Tel: 86-23-8980-9588
Fax: 86-23-8980-9500

China - Hong Kong SAR
Tel: 852-2401-1200
Fax: 852-2401-3431

China - Nanjing
Tel: 86-25-8473-2460
Fax: 86-25-8473-2470

China - Qingdao
Tel: 86-532-8502-7355
Fax: 86-532-8502-7205

China - Shanghai
Tel: 86-21-5407-5533
Fax: 86-21-5407-5066

China - Shenyang
Tel: 86-24-2334-2829
Fax: 86-24-2334-2393

China - Shenzhen
Tel: 86-755-8203-2660
Fax: 86-755-8203-1760

China - Wuhan
Tel: 86-27-5980-5300
Fax: 86-27-5980-5118

China - Xian
Tel: 86-29-8833-7252
Fax: 86-29-8833-7256

China - Xiamen
Tel: 86-592-2388138
Fax: 86-592-2388130

China - Zhuhai
Tel: 86-756-3210040
Fax: 86-756-3210049

ASIA/PACIFIC

India - Bangalore
Tel: 91-80-3090-4444
Fax: 91-80-3090-4123

India - New Delhi
Tel: 91-11-4160-8631
Fax: 91-11-4160-8632

India - Pune
Tel: 91-20-2566-1512
Fax: 91-20-2566-1513

Japan - Yokohama
Tel: 81-45-471- 6166
Fax: 81-45-471-6122

Korea - Daegu
Tel: 82-53-744-4301
Fax: 82-53-744-4302

Korea - Seoul
Tel: 82-2-554-7200
Fax: 82-2-558-5932 or
82-2-558-5934

Malaysia - Kuala Lumpur
Tel: 60-3-6201-9857
Fax: 60-3-6201-9859

Malaysia - Penang
Tel: 60-4-227-8870
Fax: 60-4-227-4068

Philippines - Manila
Tel: 63-2-634-9065
Fax: 63-2-634-9069

Singapore
Tel: 65-6334-8870
Fax: 65-6334-8850

Taiwan - Hsin Chu
Tel: 886-3-6578-300
Fax: 886-3-6578-370

Taiwan - Kaohsiung
Tel: 886-7-213-7830
Fax: 886-7-330-9305

Taiwan - Taipei
Tel: 886-2-2500-6610
Fax: 886-2-2508-0102

Thailand - Bangkok
Tel: 66-2-694-1351
Fax: 66-2-694-1350

EUROPE

Austria - Wels
Tel: 43-7242-2244-39
Fax: 43-7242-2244-393

Denmark - Copenhagen
Tel: 45-4450-2828
Fax: 45-4485-2829

France - Paris
Tel: 33-1-69-53-63-20
Fax: 33-1-69-30-90-79

Germany - Munich
Tel: 49-89-627-144-0
Fax: 49-89-627-144-44

Italy - Milan
Tel: 39-0331-742611
Fax: 39-0331-466781

Netherlands - Drunen
Tel: 31-416-690399
Fax: 31-416-690340

Spain - Madrid
Tel: 34-91-708-08-90
Fax: 34-91-708-08-91

UK - Wokingham
Tel: 44-118-921-5869
Fax: 44-118-921-5820

08/04/10