

NPN-SWITCHING SILICON TRANSISTOR

Qualified per MIL-PRF-19500/251

DEVICES

2N2218	2N2219
2N2218A	2N2219A
2N2218AL	2N2219AL

LEVELS

JAN
JANTX
JANTXV
JANS *

* Also available in Radiation Hardened versions. See datasheet for JANSR2N2218 & JANSR2N2219

ABSOLUTE MAXIMUM RATINGS ($T_C = +25^\circ\text{C}$ unless otherwise noted)

Parameters / Test Conditions	Symbol	2N2218 2N2219	2N221A; L 2N2219A; L	Unit
Collector-Emitter Voltage	V_{CEO}	30	50	Vdc
Collector-Base Voltage	V_{CBO}	60	75	Vdc
Emitter-Base Voltage	V_{EBO}	5.0	6.0	Vdc
Collector Current	I_C	800		mA
Total Power Dissipation	P_T	@ $T_A = +25^\circ\text{C}$	0.8	W
		@ $T_C = +25^\circ\text{C}$	3.0	W
Operating & Storage Junction Temp. Range	T_{op}, T_{stg}	-55 to +200		$^\circ\text{C}$

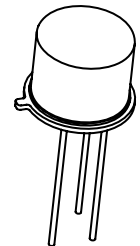
THERMAL CHARACTERISTICS

Parameters / Test Conditions	Symbol	Value	Unit
Thermal Resistance, Junction-to-Case	$R_{\theta JC}$	59	$^\circ\text{C}/\text{W}$

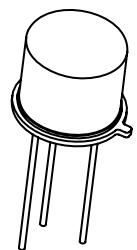
Note: (1) Derate linearly 4.6mW/ $^\circ\text{C}$ above $T_A > +25^\circ\text{C}$
 (2) Derate linearly 17.0mW/ $^\circ\text{C}$ above $T_C > +25^\circ\text{C}$

ELECTRICAL CHARACTERISTICS ($T_A = +25^\circ\text{C}$, unless otherwise noted)

Parameters / Test Conditions	Symbol	Min.	Max.	Unit
OFF CHARACTERISTICS				
Collector-Emitter Breakdown Voltage $I_E = 10\text{mA}$	$V_{(BR)CEO}$	30	50	Vdc
2N2218; 2N2219 2N2218A; 2N2219A / AL				
Emitter-Base Cutoff Current $V_{EB} = 5.0\text{Vdc}$	I_{EBO}		10	μA
$V_{EB} = 6.0\text{Vdc}$			10	ηA
$V_{EB} = 4.0\text{Vdc}$			10	
Collector-Base Cutoff Current $V_{CE} = 30\text{Vdc}$	I_{CES}		10	ηA
$V_{CE} = 50\text{Vdc}$			10	



TO-39 (TO-205AD)
 2N2218, 2N2218A
 2N2219, 2N2219A



TO-5
 2N2218AL
 2N2219AL

ELECTRICAL CHARACTERISTICS ($T_A = +25^\circ\text{C}$, unless otherwise noted) (Con't)

Parameters / Test Conditions	Symbol	Min.	Max.	Unit	
Collector-Base Cutoff Current					
$V_{CB} = 50\text{Vdc}$ 2N2218; 2N2219	I_{CBO}		10	ηAdc	
$V_{CB} = 60\text{Vdc}$ 2N2218; 2N2219		10	μAdc		
$V_{CB} = 60\text{Vdc}$ 2N2218A; 2N2219A / AL		10	ηAdc		
$V_{CB} = 75\text{Vdc}$ 2N2218A; 2N2219A / AL		10	μAdc		
ON CHARACTERISTICS (3)					
Forward-Current Transfer Ratio					
$I_C = 0.1\text{mA}$, $V_{CE} = 10\text{Vdc}$	h_{FE}	2N2218 2N2219 2N2218A; 2N2218AL 2N2219A; 2N2219AL	20 35 30 50		
$I_C = 1.0\text{mA}$, $V_{CE} = 10\text{Vdc}$		2N2218 2N2219 2N2218A; 2N2218AL 2N2219A; 2N2219AL	25 50 35 75	150 325 150 325	
$I_C = 10\text{mA}$, $V_{CE} = 10\text{Vdc}$		2N2218 2N2219 2N2218A; 2N2218AL 2N2219A; 2N2219AL	35 75 40 100		
$I_C = 150\text{mA}$, $V_{CE} = 10\text{Vdc}$		2N2218; A; AL 2N2219; A; AL	40 100	120 300	
$I_C = 500\text{mA}$, $V_{CE} = 10\text{Vdc}$		2N2218; A; AL 2N2219; A; AL	20 30		
Collector-Emitter Saturation Voltage					
$I_C = 150\text{mA}$, $I_B = 15\text{mA}$		$V_{CE(sat)}$	2N2218; 2N2219 2N2218A; 2N2219A / AL	0.4 0.3	Vdc
$I_C = 500\text{mA}$, $I_B = 50\text{mA}$			2N2218; 2N2219 2N2218A; 2N2219A / AL	1.6 1.0	
Base-Emitter Saturation Voltage					
$I_C = 150\text{mA}$, $I_B = 15\text{mA}$		$V_{BE(sat)}$	2N2218; 2N2219 2N2218A; 2N2219A / AL	0.6 0.6	Vdc
$I_C = 500\text{mA}$, $I_B = 50\text{mA}$			2N2218; 2N2219 2N2218A; 2N2219A / AL	2.6 2.0	

DYNAMIC CHARACTERISTICS

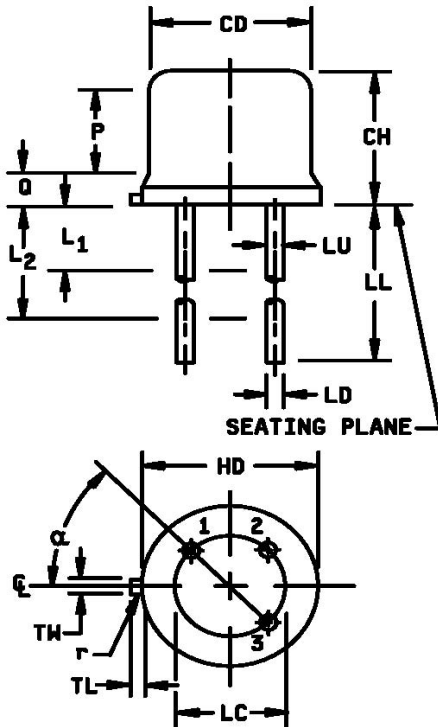
Parameters / Test Conditions	Symbol	Min.	Max.	Unit
Magnitude of Small-Signal Forward Current Transfer Ratio $I_C = 20\text{mA dc}$, $V_{CE} = 20\text{V dc}$, $f = 100\text{MHz}$	$ h_{fe} $	2.5	12	
Small-Signal Forward Current Transfer Ratio $I_C = 1.0\text{mA dc}$, $V_{CE} = 10\text{V dc}$, $f = 1.0\text{kHz}$	h_{fe}	2N2218	25	
		2N2219	50	
		2N2218A, AL	35	
		2N2219A, AL	75	
Output Capacitance $V_{CB} = 10\text{V dc}$, $I_E = 0$, $100\text{ kHz} \leq f \leq 1.0\text{MHz}$	C_{obo}		8.0	pF
Input Capacitance $V_{EB} = 0.5\text{V dc}$, $I_C = 0$, $100\text{ kHz} \leq f \leq 1.0\text{MHz}$	C_{ibo}		25	pF

SWITCHING CHARACTERISTICS

Parameters / Test Conditions	Symbol	Min.	Max.	Unit
$V_{CC} = 30\text{V dc}$; $I_C = 150\text{mA dc}$; $I_{B1} = 15\text{mA dc}$				
Turn-On Time (See Figure 3 of MIL-PRF-19500/251)	t_{on}	2N2218, 2N2219	40	ηs
		2N2218A, 2N2219A / AL	35	
Turn-Off Time (See Figure 4 of MIL-PRF-19500/251)	t_{off}	2N2218, 2N2219	250	ηs
		2N2218A, 2N2219A / AL	300	

(3) Pulse Test: Pulse Width = 300 μs , Duty Cycle $\leq 2.0\%$.

PACKAGE DIMENSIONS



Symbol	Dimensions				Notes
	Inches		Millimeters		
	Min	Max	Min	Max	
CD	.305	.335	7.75	8.51	
CH	.240	.260	6.10	6.60	
HD	.335	.370	8.51	9.40	
LC	.200 TP		5.08 TP		7
LD	.016	.019	0.41	0.48	8, 9
LL	See note 14				
LU	.016	.019	0.41	0.48	8, 9
L ₁		.050		1.27	8, 9
L ₂	.250		6.35		8, 9
P	.100		2.54		7
Q		.030		0.76	5
TL	.029	.045	0.74	1.14	3, 4
TW	.028	.034	0.71	0.86	3
r		.010		0.25	10
α	45° TP		45° TP		7

NOTES:

- Dimensions are in inches.
- Millimeters are given for general information only.
- Beyond r (radius) maximum, TW shall be held for a minimum length of .011 (0.28 mm).
- Dimension TL measured from maximum HD.
- Body contour optional within zone defined by HD, CD, and Q.
- CD shall not vary more than .010 inch (0.25 mm) in zone P. This zone is controlled for automatic handling.
- Leads at gauge plane .054 +.001 -.000 inch (1.37 +0.03 -0.00 mm) below seating plane shall be within .007 inch (0.18 mm) radius of true position (TP) at maximum material condition (MMC) relative to tab at MMC.
- Dimension LU applies between L1 and L2. Dimension LD applies between L2 and LL minimum. Diameter is uncontrolled in L1 and beyond LL minimum.
- All three leads.
- The collector shall be internally connected to the case.
- Dimension r (radius) applies to both inside corners of tab.
- In accordance with ASME Y14.5M, diameters are equivalent to ϕx symbology.
- Lead 1 = emitter, lead 2 = base, lead 3 = collector.
- For L suffix devices (TO-5), dimension LL = 1.5 inches (38.10 mm) min. and 1.75 inches (44.45 mm) max. For non-L suffix types (TO-39), dimension LL = .5 inch (12.70 mm) min. and .750 inch (19.05 mm) max.

FIGURE 1. Physical dimensions (similar to TO-39, TO-5).