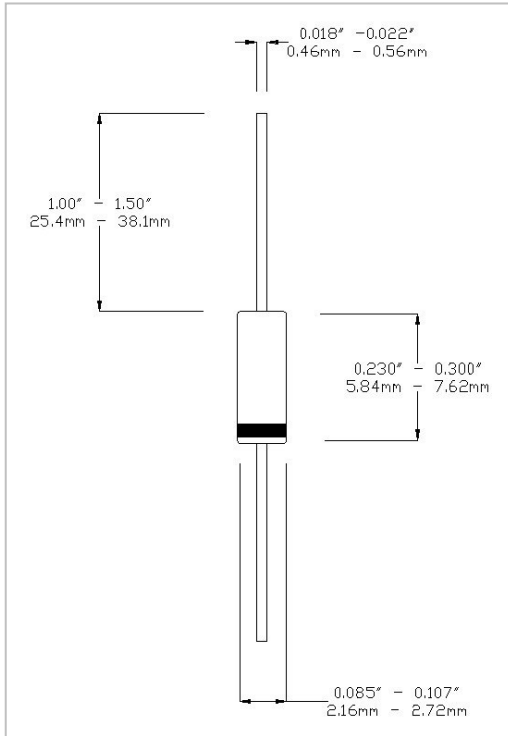


1N3064

FEATURES

- 1N3064 AVAILABLE IN JAN, JANTX, AND JANTXV PER MIL-PRF-19500/144
- SWITCHING DIODE
- METALLURGICALLY BONDED
- HERMETICALLY SEALED
- DOUBLE PLUG CONSTRUCTION



MAXIMUM RATINGS AT 25 °C

Operating Temperature:	-55°C to +175°C
Storage Temperature:	-55°C to +175°C
Surge Current, Sine, 1uS:	2.0A
Total Power Dissipation:	500mW
Operating Current:	75mA, T _A = +25°C
Derating Factor:	0.5mA/°C above T _A = +25°C
D.C. Reverse Voltage (VRWM):	50V

DC ELECTRICAL CHARACTERISTICS

Ambient (°C)	V _F			Ambient (°C)	I _R			Ambient (°C)	V _{BR}		
	I _F mA	Min V	Max V		V (dc)	Min μA	Max μA		I _R μA	Min V	Max V
25	10	-	1.0	25	50	-	0.1	25	5	75	-
150	10	-	0.7	150	50	-	100	-55	10	75	-

DESIGN DATA

Case: Hermetically sealed glass package per MIL-PRF-19500/144 DO-7 outline

Lead Material: Copper clad steel

Lead Finish: Tin/Lead

Thermal Resistance (R_{θJL}): 250°C/W maximum at L=.375"

Thermal Impedance (Z_{θJX}): 70°C/W maximum

Marking: Alpha numeric.

Polarity: Cathode end is banded.

AC ELECTRICAL CHARACTERISTICS AT 25°C

	Symbol	Min	Max
Capacitance @ 0V	pF	-	2.0
T _{RR} @ I _F =I _R =10mA, I _{Rec} = 1mA.	nsec	-	4.0
T _{FR} @ IF = 100mA	nsec	-	30
V _{FR} @ IF = 100mA	V(pk)	-	5



WWW.MICROSEMI.COM

IRELAND - GORT ROAD, ENNIS, CO. CLARE

PHONE: +353 65 6840044

TOLL FREE: +186 62 702434

FAX: +353 65 6822298

U.S.A. DOMESTIC SALES CONTACT

PHONE: (617) 926 0404

TOLL FREE: 1 800 666 2999