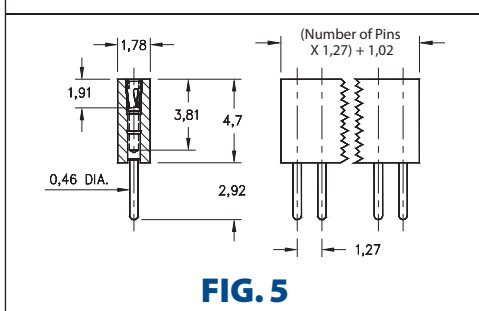
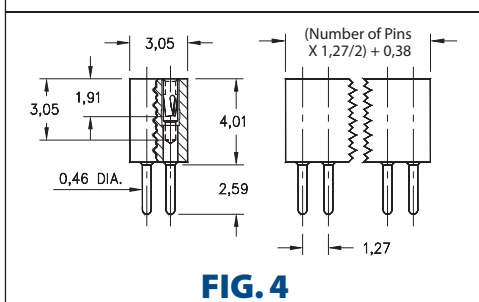
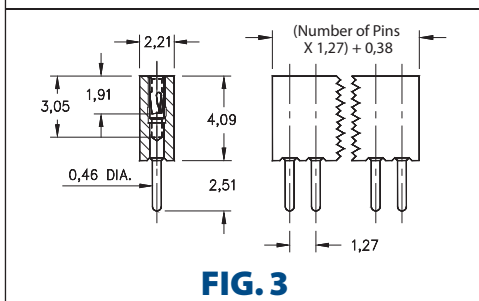
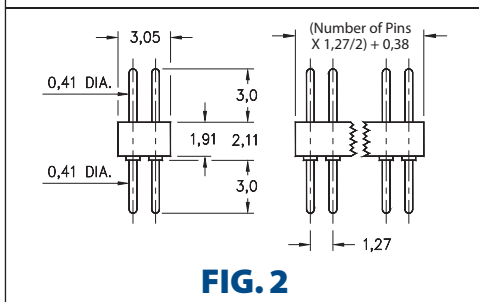
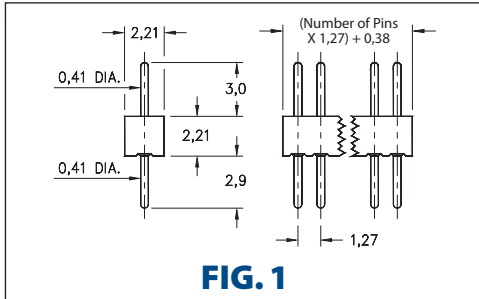
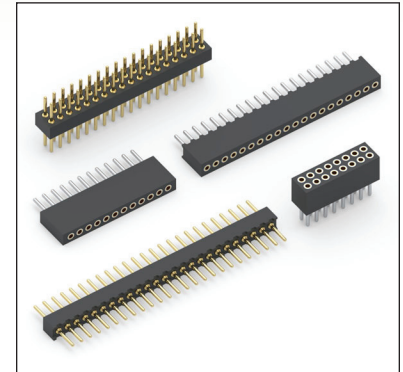


# INTERCONNECTS

## SERIES 850, 851, 852, 853 • 1,27 GRID HEADERS AND SOCKETS • SINGLE AND DOUBLE ROW STRIPS



- Series 850, 851, 852, 853 single and double row interconnects have 1,27 pin spacing and permit board stacking as low as 6,3
- Pin headers have 0,41 dia. pins (MM #4006-0) See page 208 for details
- MM #0467 and MM #4890 receptacles use Hi-Rel, 3-finger BeCu #11 contact rated at 3 amps. (#11 contact accepts pin diameters from 0,38 - 0,51). See pages 158 and 160 for details
- Insulators are high temperature thermoplastic, suitable for all soldering operations



### ORDERING INFORMATION

|                                 |                         |   |                    |  |                    |                    |                    |
|---------------------------------|-------------------------|---|--------------------|--|--------------------|--------------------|--------------------|
| <b>FIG. 1</b>                   | <b>Series 850...001</b> | <b>Single Row 2,21 Profile Pin Header</b> |                    |  |                    |                    |                    |
|                                 | 850-XX-0__-10-001000    | Specify number of pins $\uparrow$ 01-50   |                    |  |                    |                    |                    |
| <b>FIG. 2</b>                   | <b>Series 852...001</b> | <b>Double Row 2,11 Profile Pin Header</b> |                    |  |                    |                    |                    |
|                                 | 852-XX-__-10-001000     | Specify number of pins $\uparrow$ 004-100 |                    |  |                    |                    |                    |
|                                 |                         | <b>XX=Plating Code</b><br>See Below       |                    | <i>For Electrical, Mechanical &amp; Environmental Data, See page 264</i> |                    |                    |                    |
| <b>SPECIFY PLATING CODE XX=</b> |                         | 10 $\blacklozenge$                        | 90                 | 40 $\blacklozenge$   |                    |                    |                    |
| Pin Plating                     |                         | 0,25 $\mu$ m Au                           | 5,08 $\mu$ m Sn/Pb | 5,08 $\mu$ m Sn  |                    |                    |                    |
| <b>FIG. 3</b>                   | <b>Series 851...001</b> | <b>Single Row 4,09 Profile Socket</b>     |                    |  |                    |                    |                    |
|                                 | 851-XX-0__-10-001000    | Specify number of pins $\uparrow$ 01-50   |                    |  |                    |                    |                    |
| <b>FIG. 4</b>                   | <b>Series 853...001</b> | <b>Double Row 4,09 Profile Socket</b>     |                    |  |                    |                    |                    |
|                                 | 853-XX-__-10-001000     | Specify number of pins $\uparrow$ 004-100 |                    |  |                    |                    |                    |
| <b>FIG. 5</b>                   | <b>Series 851...002</b> | <b>Single Row 4,7 Profile Socket</b>      |                    |  |                    |                    |                    |
|                                 | 851-XX-0__-10-002000    | Specify number of pins $\uparrow$ 01-77   |                    |  |                    |                    |                    |
|                                 |                         | <b>XX=Plating Code</b><br>See Below       |                    | <i>For Electrical, Mechanical &amp; Environmental Data, See page 264</i> |                    |                    |                    |
| <b>SPECIFY PLATING CODE XX=</b> |                         | 91  | 93                 | 99   | 41 $\blacklozenge$ | 43 $\blacklozenge$ | 47 $\blacklozenge$ |
| Sleeve (Pin)                    |                         | 5,08 $\mu$ m Sn/Pb                        | 5,08 $\mu$ m Sn/Pb | 5,08 $\mu$ m Sn/Pb   | 5,08 $\mu$ m Sn    | 5,08 $\mu$ m Sn    | 5,08 $\mu$ m Sn    |
| Contact (Clip)                  |                         | 0,25 $\mu$ m Au                           | 0,76 $\mu$ m Au    | 2,54 $\mu$ m Sn/Pb   | 0,25 $\mu$ m Au    | 0,76 $\mu$ m Au    | Au Flash           |