

INTERCONNECTS

SERIES 714...00X • .100" GRID LOW PROFILE CARRIERS • SINGLE AND DOUBLE ROW STRIPS

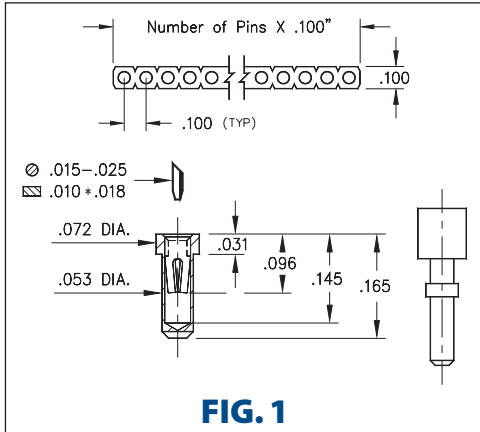


FIG. 1

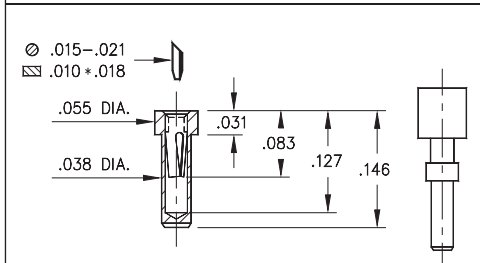


FIG. 2

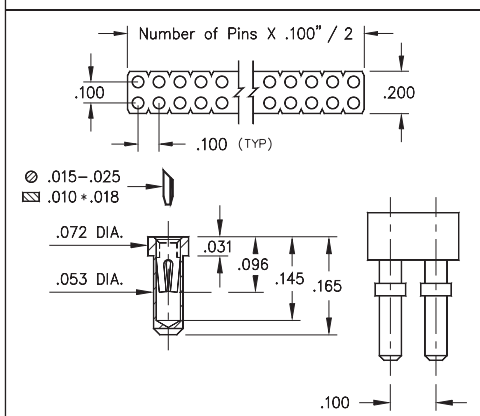


FIG. 3

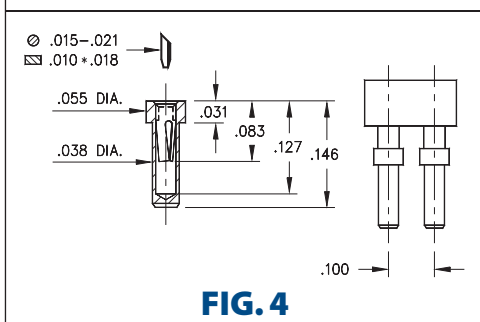
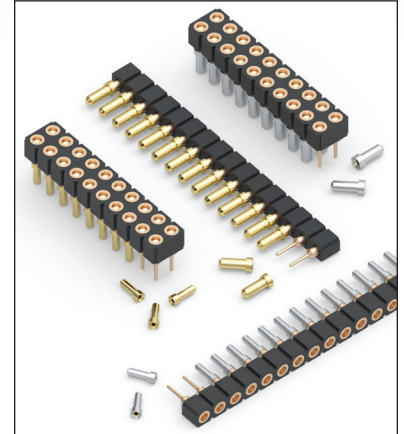


FIG. 4

- Low profile receptacles sit .031" above the board
- Series 714 use MM #1401 and MM #1407 pin receptacles. See pages 157 and 170 for details
- Hi-Rel, 4-finger BeCu #30 contact is used in the #1401 receptacle and a BeCu #11 contact is used in the #1407. Both contacts are rated at 3 amps. See pages 251 and 253 for details
- Insulators are high temperature thermoplastic, suitable for all soldering operations



ORDERING INFORMATION

FIG. 1	Single Row (.055" min. mounting hole)					
	714-XX-1-__-41-001000					
Specify number of pins				01-64		
FIG. 2	Single Row (.039" min. mounting hole)					
	714-XX-1-__-31-007000					
Specify number of pins				01-64		
FIG. 3	Double Row (.055" min. mounting hole)					
	714-XX-2-__-41-001000					
Specify number of pins				04-64		
FIG. 4	Double Row (.039" min. mounting hole)					
	714-XX-2-__-31-007000					
Specify number of pins				04-64		
<div style="display: flex; justify-content: space-around; align-items: center;"> <div style="border: 1px solid black; padding: 5px; background-color: #90EE90;">RoHS-2 2011/65/EU</div> <div style="border: 1px solid black; border-radius: 50%; padding: 5px;">XX=Plating Code See Below</div> <div style="border: 1px solid black; border-radius: 50%; padding: 5px;">For Electrical, Mechanical & Environmental Data, See page 264</div> </div>						
SPECIFY PLATING CODE XX=						
		91	93	41	43	
Sleeve (Pin)		200 μ"Sn/Pb	200 μ"Sn/Pb	200 μ"Sn	200 μ"Sn	
Contact (Clip)		10 μ"Au	30 μ"Au	10 μ"Au	30 μ"Au	

