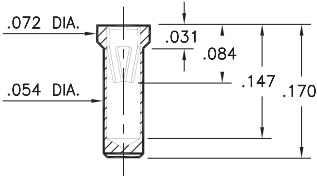
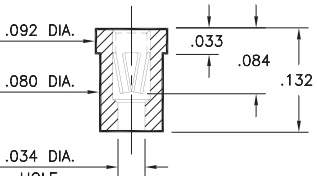
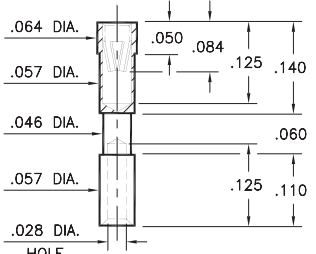
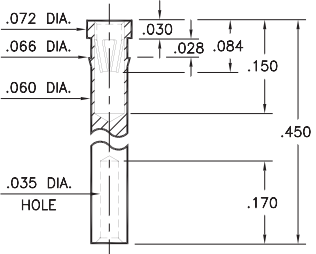
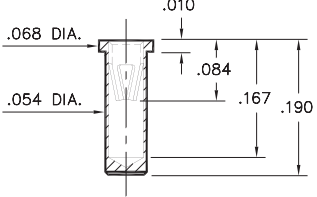
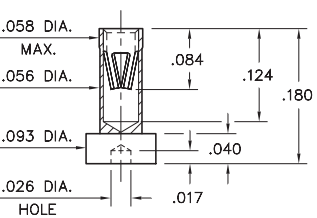


# PIN RECEPTACLES

FOR .020" - .032" DIAMETER PINS

<p><b>0338</b>  <b>0338-0-15-XX-15-XX-10-0</b>                  Solder mount in .057 min. mounting hole                  Also available on 16mm wide carrier tape:                  1,700 parts per 13" reel                  Order as: 0338-0-57-XX-15-XX-10-0</p> 	<p><b>0378</b>  <b>0378-0-15-XX-15-XX-10-0</b>                  Solder mount in .082 min. mounting hole</p> 	<p><b>6002</b>  <b>6002-0-19-XX-15-XX-10-0</b>                  Solder mount in .059 min. mounting hole                  Wire Termination. Accepts wire sizes                  26 AWG Max. / 30 AWG Min.</p> 	<p><b>7009</b>  <b>7009-0-19-XX-15-XX-10-0</b>                  Press-fit in .063 min. mounting hole                  Wire Termination. Accepts wire sizes                  22 AWG Max. / 26 AWG Min.</p> 
<p><b>0339</b>  <b>0339-0-15-XX-15-XX-10-0</b>                  Solder mount in .057 min. mounting hole                  Also available on 24mm wide carrier tape:                  1,540 parts per 13" reel                  Order as: 0339-0-57-XX-15-XX-10-0</p> 	<p><b>5200</b>  <b>5200-0-19-XX-15-27-10-0</b>                  Surface mount on a .103" dia. P.C.B. pad</p> 		

**SPECIFICATIONS:**

**Shell Material:** Brass Alloy 360, 1/2 Hard  
**Contact Material:** Beryllium Copper Alloy 172, HT  
**Dimensions:** Inches  
**Tolerances On:** Lengths: ±.005  
 Diameters: ±.002  
 Angles: ± 2°



**ORDER CODE:** XXXX - X - XX - XX - 15 - XX - 10 - 0

**BASIC PART #**

**SPECIFY SHELL FINISH:**

- 01 200 μ" TIN/LEAD OVER NICKEL
- ◆ 80 200 μ" TIN OVER NICKEL (RoHS)
- ◆ 15 10 μ" GOLD OVER NICKEL (RoHS)

**SPECIFY CONTACT FINISH:**

- 01 200 μ" TIN/LEAD OVER NICKEL
- ◆ 80 200 μ" TIN OVER NICKEL (RoHS)
- ◆ 27 30 μ" GOLD OVER NICKEL (RoHS)

**SELECT CONTACT:**

**#15 CONTACT (DATA ON PAGE 254)**

(For alternate contact choices, see group K on page 248)

