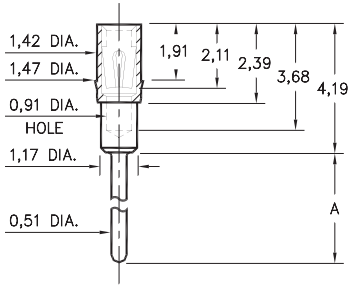


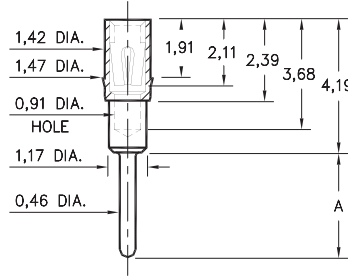
### 1802/3802/4030/8866



Basic Part Number	Length A
1802-0	3,18
3802-0	4,19
8866-0	19,69
4030-0	20,70

**XXXX-0-15-XX-XX-XX-04-0**  
Press-fit in 1,45 mounting hole

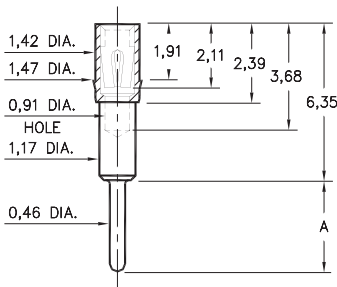
### 1803/1805/1808/3805



Basic Part Number	Length A
1808-0	2,54
1803-0	3,68
1805-0	5,41
3805-0	9,98

**XXXX-0-15-XX-43-XX-04-0**  
Press-fit in 1,45 mounting hole

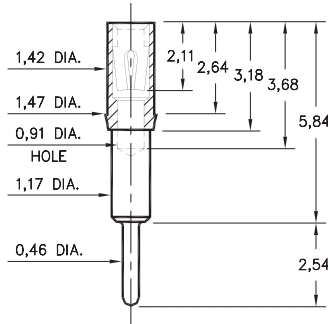
### 1804/1806



Basic Part Number	Length A
1804-0	2,03
1806-0	2,92

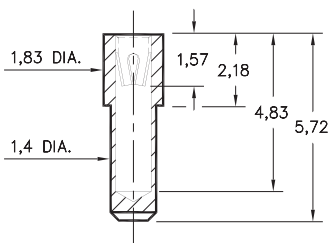
**180X-0-15-XX-43-XX-04-0**  
Press-fit in 1,45 mounting hole

### 1807



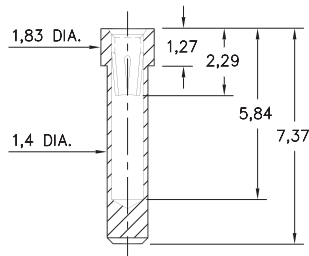
**1807-0-15-XX-43-XX-04-0**  
Press-fit in 1,45 mounting hole

### 8830



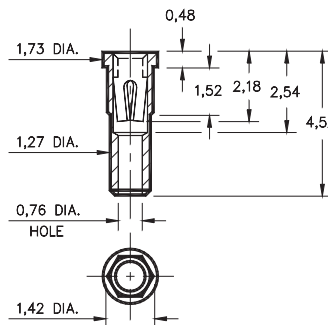
**8830-0-15-XX-22-XX-10-0**  
Solder mount in 1,45 min. mounting hole

### 8363



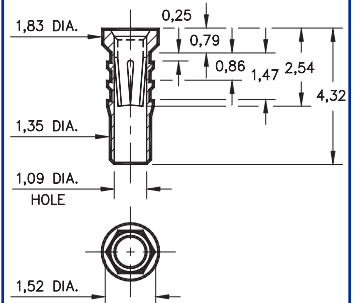
**8363-0-15-XX-35-XX-10-0**  
Solder mount in 1,45 min. mounting hole

### 4622



**4622-0-15-XX-30-XX-10-0**  
Hex press-fit in 1,35 plated thru hole

### 6252



**6252-0-15-XX-32-XX-10-0**  
Hex press-fit in 1,45 plated thru hole

## SPECIFICATIONS

**SHELL MATERIAL:**  
Brass Alloy 360, 1/2 Hard

**CONTACT MATERIAL:**  
Beryllium Copper Alloy 172, HT

**DIMENSION IN INCHES TOLERANCES ON:**  
LENGTHS: ±0,13  
DIAMETERS: ±0,05  
ANGLES: ± 2°

**ORDER CODE: XXXX - X - 15 - XX - XX - XX - XX - 0**

**BASIC PART #**

**SPECIFY SHELL FINISH:**  
01 5,08µm TIN/LEAD OVER NICKEL  
◇ 80 5,08µm TIN OVER NICKEL (RoHS)  
◇ 15 0,25µm GOLD OVER NICKEL (RoHS)

**SPECIFY CONTACT FINISH:**  
02 2,54µm TIN/LEAD OVER NICKEL  
◇ 84 2,54µm TIN OVER NICKEL (RoHS)  
◇ 27 0,76µm GOLD OVER NICKEL (RoHS)

**SELECT CONTACT**

#22, #30, #32 or #43 CONTACT (DATA ON PAGES 218, 219 & 220)

