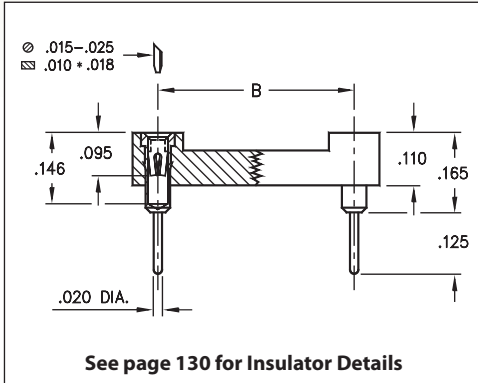
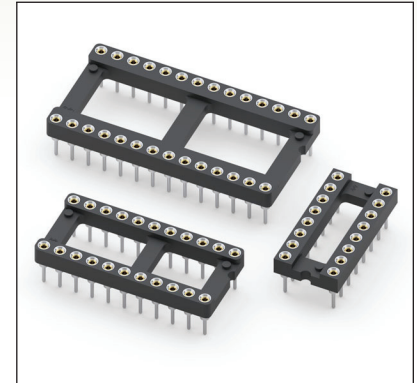


DUAL-IN-LINE SOCKETS

SERIES 110...001 • STANDARD SOLDER TAIL • OPEN FRAME



- All DIP sockets accept .015" - .025" diameter and standard IC leads
- Hi-Rel, 4-finger BeCu #30 contact is rated at 3 amps. See page 253 for details
- Series 110 uses MM #1001 pins. See page 165 for details
- Insulators are high temperature thermoplastic, suitable for all soldering operations
- For Electrical, Mechanical and Environmental Data, see page 264 for details



| Total number of pins | | | | Quantity per tube | <h3>ORDERING INFORMATION</h3> | | | | | | | | | |
|----------------------------------|-----|-----|-----|-------------------|-------------------------------|----------|--------------|--------------|--------------|-----------|-----------|-----------|-----------|--|
| | A | B | C | | | | | | | | | | | |
| 10 | 0.5 | 0.2 | 0.3 | 40 | 110-XX-210-41-001000 | | | | | | | | | |
| 4 | 0.2 | 0.3 | 0.4 | 102 | 110-XX-304-41-001000 | | | | | | | | | |
| 6 | 0.3 | 0.3 | 0.4 | 67 | 110-XX-306-41-001000 | | | | | | | | | |
| 8 | 0.4 | 0.3 | 0.4 | 50 | 110-XX-308-41-001000 | | | | | | | | | |
| 10 | 0.5 | 0.3 | 0.4 | 40 | 110-XX-310-41-001000 | | | | | | | | | |
| 14 | 0.7 | 0.3 | 0.4 | 28 | 110-XX-314-41-001000 | | | | | | | | | |
| 16 | 0.8 | 0.3 | 0.4 | 25 | 110-XX-316-41-001000 | | | | | | | | | |
| 18 | 0.9 | 0.3 | 0.4 | 22 | 110-XX-318-41-001000 | | | | | | | | | |
| 20 | 1.0 | 0.3 | 0.4 | 20 | 110-XX-320-41-001000 | | | | | | | | | |
| 22 | 1.1 | 0.3 | 0.4 | 18 | 110-XX-322-41-001000 | | | | | | | | | |
| 24 | 1.2 | 0.3 | 0.4 | 16 | 110-XX-324-41-001000 | | | | | | | | | |
| 28 | 1.4 | 0.3 | 0.4 | 14 | 110-XX-328-41-001000 | | | | | | | | | |
| 20 | 1.0 | 0.4 | 0.5 | 20 | 110-XX-420-41-001000 | | | | | | | | | |
| 22 | 1.1 | 0.4 | 0.5 | 18 | 110-XX-422-41-001000 | | | | | | | | | |
| 24 | 1.2 | 0.4 | 0.5 | 16 | 110-XX-424-41-001000 | | | | | | | | | |
| 28 | 1.4 | 0.4 | 0.5 | 14 | 110-XX-428-41-001000 | | | | | | | | | |
| 32 | 1.6 | 0.4 | 0.5 | 12 | 110-XX-432-41-001000 | | | | | | | | | |
| 24 | 1.2 | 0.6 | 0.7 | 16 | 110-XX-624-41-001000 | | | | | | | | | |
| 28 | 1.4 | 0.6 | 0.7 | 14 | 110-XX-628-41-001000 | | | | | | | | | |
| 32 | 1.6 | 0.6 | 0.7 | 12 | 110-XX-632-41-001000 | | | | | | | | | |
| 36 | 1.8 | 0.6 | 0.7 | 11 | 110-XX-636-41-001000 | | | | | | | | | |
| 40 | 2.0 | 0.6 | 0.7 | 10 | 110-XX-640-41-001000 | | | | | | | | | |
| 42 | 2.1 | 0.6 | 0.7 | 9 | 110-XX-642-41-001000 | | | | | | | | | |
| 48 | 2.4 | 0.6 | 0.7 | 8 | 110-XX-648-41-001000 | | | | | | | | | |
| 50 | 2.5 | 0.6 | 0.7 | 8 | 110-XX-650-41-001000 | | | | | | | | | |
| 52 | 2.6 | 0.6 | 0.7 | 7 | 110-XX-652-41-001000 | | | | | | | | | |
| 50 | 2.5 | 0.9 | 1.0 | 8 | 110-XX-950-41-001000 | | | | | | | | | |
| 52 | 2.6 | 0.9 | 1.0 | 7 | 110-XX-952-41-001000 | | | | | | | | | |
| 64 | 3.2 | 0.9 | 1.0 | 6 | 110-XX-964-41-001000 | | | | | | | | | |
| SPECIFY PLATING CODE XX = | | | | | 11 | 13 | 91 | 93 | 99 | 41 | 43 | 44 | 47 | |
| Sleeve (Pin) | | | | | 10 μ" Au | 10 μ" Au | 200 μ" Sn/Pb | 200 μ" Sn/Pb | 200 μ" Sn/Pb | 200 μ" Sn | 200 μ" Sn | 200 μ" Sn | 200 μ" Sn | |
| Contact (Clip) | | | | | 10 μ" Au | 30 μ" Au | 10 μ" Au | 30 μ" Au | 100 μ" Sn/Pb | 10 μ" Au | 30 μ" Au | 100 μ" Sn | Au Flash | |

XX=Plating Code
See Below

