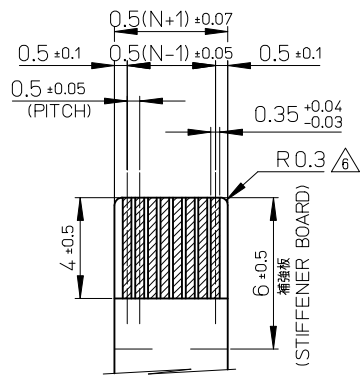


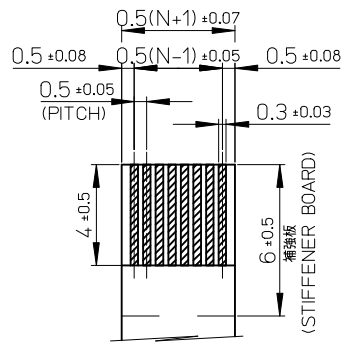
21.6	19.6	15.65	14.5	52437-3072	30
21.1	19.1	15.15	14.0	52437-2972	29
20.6	18.6	14.65	13.5	52437-2872	28
20.1	18.1	14.15	13.0	52437-2772	27
19.6	17.6	13.65	12.5	52437-2672	26
19.1	17.1	13.15	12.0	52437-2572	25
18.6	16.6	12.65	11.5	52437-2472	24
18.1	16.1	12.15	11.0	52437-2372	23
17.6	15.6	11.65	10.5	52437-2272	22
17.1	15.1	11.15	10.0	52437-2172	21
D	C	B	(A)	EMBOSSED PACKAGE ORDER No. オーダー番号	極数 CKT.

CONNECTOR SERIES NO. : 52437-***26

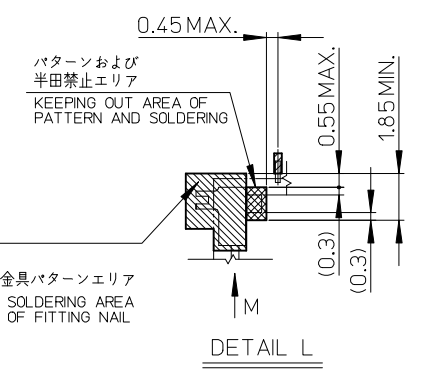
REVISED EC NO. J2013-1532 2013/06/21 DRWN: NIINOUE01 2013/06/21 CHKD: HIJIMA 2013/06/21 APPR: YNOGAWA 2013/06/28	GENERAL TOLERANCES (UNLESS SPECIFIED)		DIMENSION STYLE MM ONLY		SCALE ---		DESIGN UNITS METRIC		THIRD ANGLE PROJECTION	
	10 UNDER	±0.2	DRAWN BY	DATE	TITLE					
	10 OVER 30 UNDER	±0.25	YSAKIYAM	'04/01/08	0.5 FPC CONN. ZIF FOR SMT R/A (BOTTOM CONTACT) TIN-BISMUTH PLATING molex					
	30 OVER	±0.3	MSASAO	'04/01/08						
ANGULAR ±3 °		APPROVED BY MSASAO '04/01/08		MATERIAL NO.		DOCUMENT NO.		SHEET NO.		
DRAFT WHERE APPLICABLE MUST REMAIN WITHIN DIMENSIONS		SEE CHART		THIS DRAWING CONTAINS INFORMATION THAT IS PROPRIETARY TO MOLEX INCORPORATED AND SHOULD NOT BE USED WITHOUT WRITTEN PERMISSION		SD-52437-017		1 OF 2		



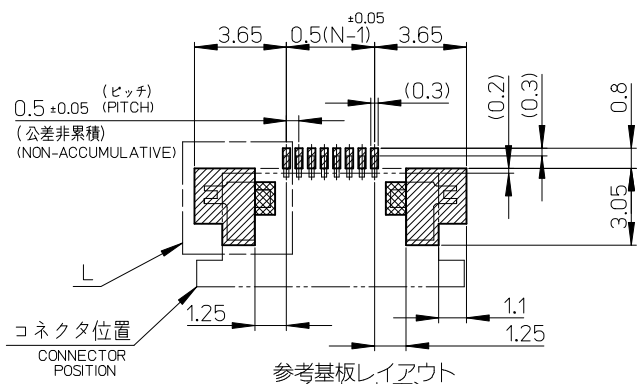
適合錫系めっきFPC推奨寸法
 APPLICABLE FPC OF TIN
 PLATING RECOMMENDED DIMENSION
 仕上がり厚さ: 0.3±0.05
 THICKNESS: 0.3+0.05/-0.05



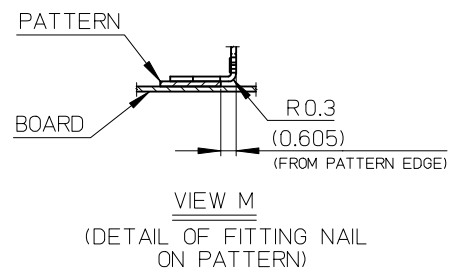
適合錫系めっきFFC推奨寸法
 APPLICABLE FFC OF TIN
 PLATING RECOMMENDED DIMENSION
 仕上がり厚さ: 0.3±0.05
 THICKNESS: 0.3+0.05/-0.05



DETAIL L



参考基板レイアウト
 (マウント面)
 RECOMMENDED P.C.BOARD
 PATTERN DIMENSION (REF.)
 (MOUNTING SIDE)



VIEW M
 (DETAIL OF FITTING NAIL
 ON PATTERN)

注記NOTES

1. 使用材料
 MATERIAL
 ハウジング: 46ナイロン、ガラス充填、UL94V-0、白
 HOUSING: PA46, GLASS FILLED, UL94V-0, WHITE
 アクチュエータ: ポリフェニレンサルフィド (PPS)、ガラス充填、UL94V-0、茶色
 ACTUATOR: POLYPHENYLENE SULFIDE, GLASS FILLED, UL94V-0, BROWN
 ターミナル: リン青銅、ニッケル下地錫ビスマスめっき (t=0.2)
 TERMINAL: PHOSPHOR BRONZE, TIN BISMUTH OVER NICKEL PLATING
 金具: リン青銅、ニッケル下地錫めっき (t=0.2)
 FITTING NAIL: PHOSPHOR BRONZE, TIN OVER NICKEL PLATING
2. エンボステープ梱包時は、アクチュエータがロックした状態になります。
 IN THE PACKAGE, ACTUATOR OF PART NO.52437-**26 SHOULD BE LOCKED.
- △ ソルダータール半田付け面のズレ量、及び金具半田付け面のズレ量は、基準面Hに対して上方向に0.1MAXIMUM、下方向0.15MAXIMUMとする。
 MISALIGNMENT OF SOLDER TAILS AND FITTING NAILS FROM DATUM-H.
 UPPER DIRECTION: 0.1MAXIMUM
 LOWER DIRECTION: 0.15 MAXIMUM
- △ 偶数極に適用
 APPLY FOR EVEN CIRCUIT.
- △ ハターン剥離止め金具
 FITTING NAIL FOR PREVENTION OF PEELING OF P.W.B. PATTERN.
- △ R0.3は、FPCの導体部にかからないこと
 R0.3 MUST NOT BE OVERLAPED TO PATTERN OF FPC.
7. ソルダータールの平坦度は、0.1MAXIMUMとする。
 SOLDER TAIL COPLANARITY IS 0.1 MAXIMUM.
8. ELV 及び RoHS 適合品
 ELV AND RoHS COMPLIANT

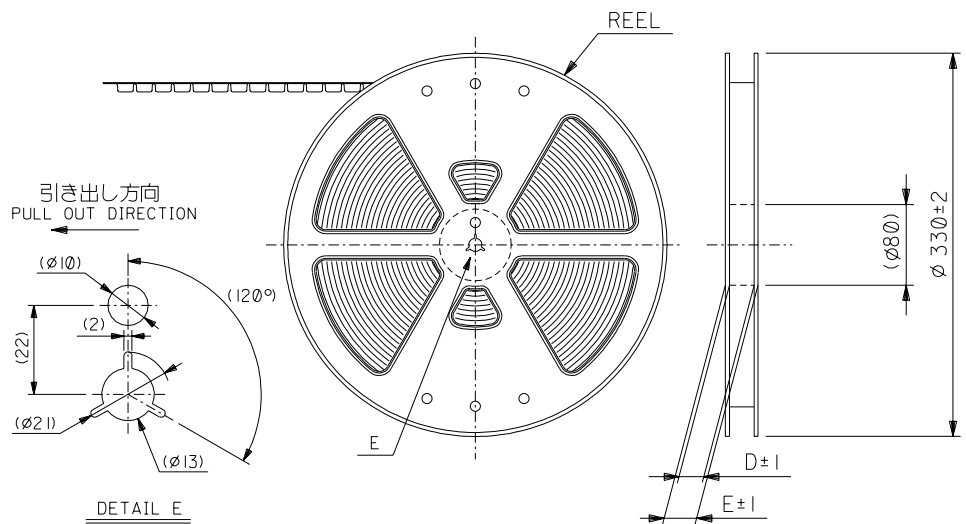
FPCについて:

打抜き方向は導体側から補強板側を推奨致します。
 補強フィルム材質はポリイミドを推奨致します。
 接着剤は熱硬化接着剤を推奨致します。

ABOUT FPC:

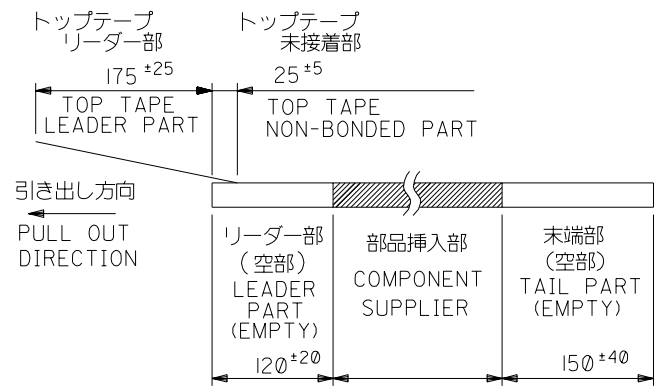
RECOMMENDED PUNCHER DIRECTION :
 FROM CONDUCTOR SIDE TO STIFFENER BOARD SIDE.
 RECOMMENDED MATERIAL:
 STIFFENER FILM : POLYIMIDE
 BONDING AGENT : THERMOSETTING BONDING AGENT

REVISED EC NO: J2013-1532 2013/06/21 DRWNN:INOUE01 2013/06/21 CHKDHI:JIMA 2013/06/21 APPR:YNOGAWA 2013/06/28	DESCRIPTION	GENERAL TOLERANCES (UNLESS SPECIFIED)		DIMENSION STYLE MM ONLY		SCALE ---	DESIGN UNITS METRIC	THIRD ANGLE PROJECTION	
		10 UNDER	±0.2	DRAWN BY YSAKIYAM	DATE '04/01/08	TITLE 0.5 FPC CONN. ZIF FOR SMT R/A (BOTTOM CONTACT) TIN-BISMUTH PLATING			
		10 OVER 30 UNDER	±0.25	CHECKED BY MSASAO	DATE '04/01/08				
		30 OVER	±0.3	APPROVED BY MSASAO	DATE '04/01/08				
ANGULAR	±3 °	DRAFT WHERE APPLICABLE MUST REMAIN WITHIN DIMENSIONS		MATERIAL NO. SEE CHART	DOCUMENT NO. SD-52437-017	SHEET NO. 2 OF 2			
SIZE A3	THIS DRAWING CONTAINS INFORMATION THAT IS PROPRIETARY TO MOLEX INCORPORATED AND SHOULD NOT BE USED WITHOUT WRITTEN PERMISSION								



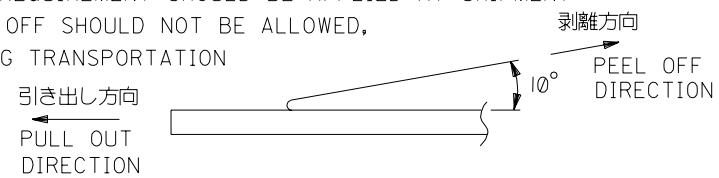
注記 NOTES

- 製品番号 52437-***26 の梱包状態はアクチュエータがロックした状態とする。
 詳細寸法については図面 SD-52437-017 を参照下さい。
 IN THE PACKAGE,ACTUATOR OF PART NO.52437-***26 SHOULD BE LOCKED RE DETAILED DIMENSIONS,SEE SD-52437-017.
- 梱包数量：1000個/リール
 NUMBER OF CONNECTORS:1000PCS/REEL
- リードテープ長さ LEAD TAPE LENGTH



- トップテープの剥離強度：(剥離方向は下図参照)
 0.1N~1.3N {10gf~130gf}尚、本規格値は、出荷時に適用。
 (但し、輸送時に剥離が発生しない事。)

PEELING OFF FORCE OF TOP TAPE
 0.1N ~1.3N(10gf ~130gf)(PEELING DIRECTION AS SHOWN IN FOLLOWING FIG.)
 THIS REQUIREMENT SHOULD BE APPLIED AT SHIPMENT
 PEEL OFF SHOULD NOT BE ALLOWED,
 DURING TRANSPORTATION



- 材料 (MATERIAL)
 キャリアテープ (CARRIER TAPE) :ポリプロピレン (POLYPROPYLENE)
 トップテープ (TOPTAPE) : PET, PE, PEF
 リール (REEL) : ポリスチレン (PS) <リサイクル材を含む>
 POLYSTYREN (PS) <RECYCLE MATERIAL CONTAINED>

6. 本製品は 52437-***91 の鉛フリー品である。
 THIS PRODUCT IS LEAD FREE OF 52437-***91.

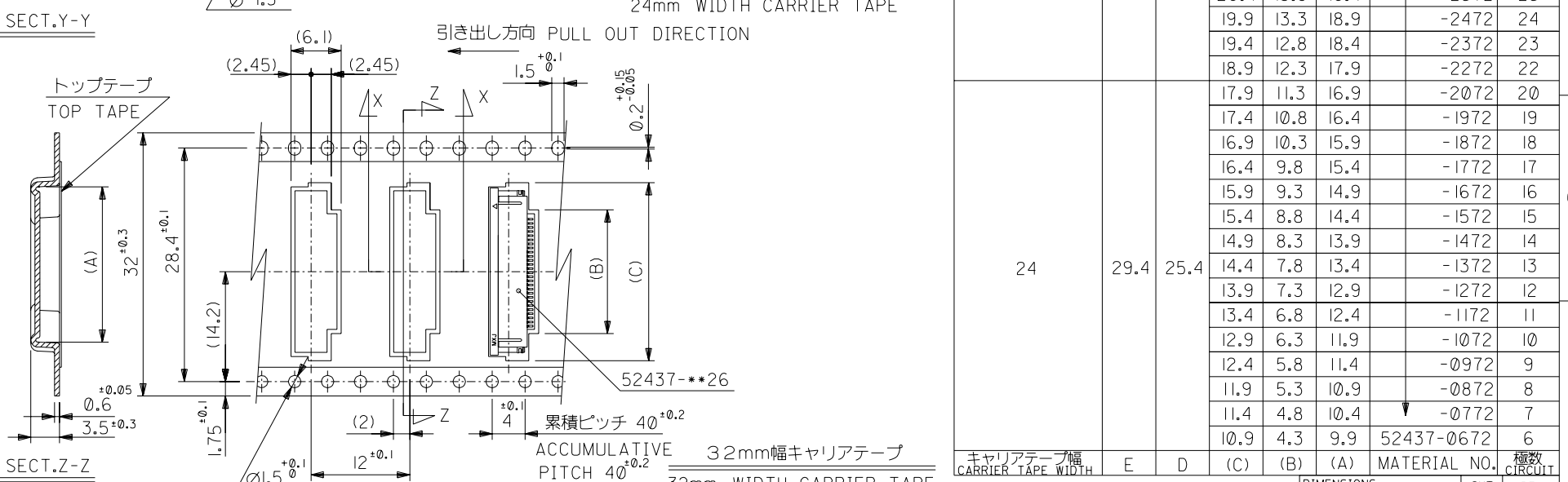
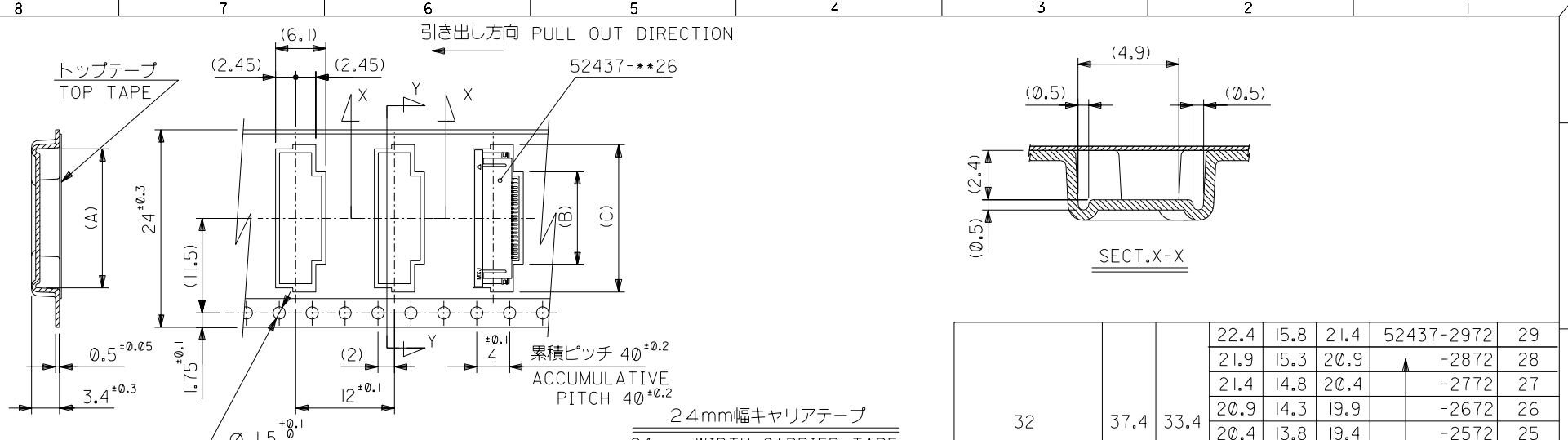
DO NOT SCALE DRAWING

EC NO. DRWN: CHK: APPR:	EC NO. DRWN: CHK: APPR:	EC NO. DRWN: CHK: APPR:	REVISED '04/02/09	MATERIAL 材料	GENERAL TOLERANCES: (UNLESS SPECIFIED) 一般公差	SCALE —//	DESIGN UNITS <input checked="" type="checkbox"/> mm <input type="checkbox"/> INCH	THIRD ANGLE PROJECTION	DIMENSIONS:		SHT	REV		
			EC NO. J2004-2350 DRWN: N.AIDA CHK: K.TOJO APPR: M.SASAO						FINISH 仕上げ	10 UNDER 未満			±0.2	mm mm
A	0	REVISED '04/01/08	EC NO. J2004-1850 DRWN: Y.SAKIYAMA CHK: M.SASAO APPR: M.SASAO	DESCRIPTION	WIRE RANGE 適用層被範囲	ANGLE 角度	DRAWN BY & DATE Y.SAKIYAMA '04/01/08	CHECKED BY & DATE M.SASAO '04/01/08	APPROVED BY & DATE M.SASAO '04/01/08	CAD FILENAME SD-52437-018.S01	TITLE: 0.5 FPC Conn Assy ZIF SMT RA With Tape Embstp Pkg -LEAD FREE-	MATERIAL NO. 52437-***72	DRAWING NO. SD-52437-018	SHEET NO. 1 OF 3
			INS. RANGE 被覆外径											

THIS DRAWING CONTAINS INFORMATION THAT IS PROPRIETARY TO MOLEX INCORPORATED AND SHOULD NOT BE USED WITHOUT WRITTEN PERMISSION.

DO NOT SCALE DRAWING

DWG. NO.
SD-52437-018

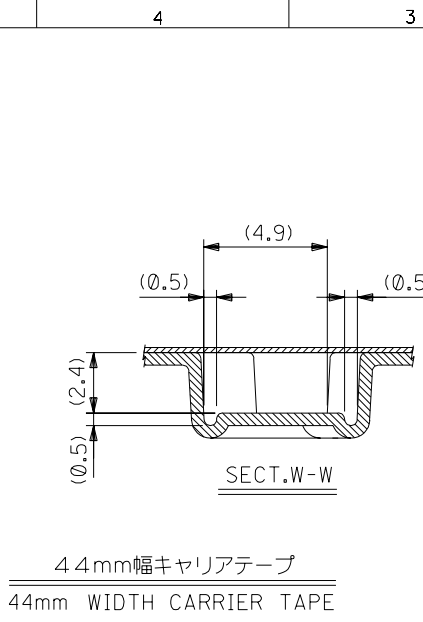
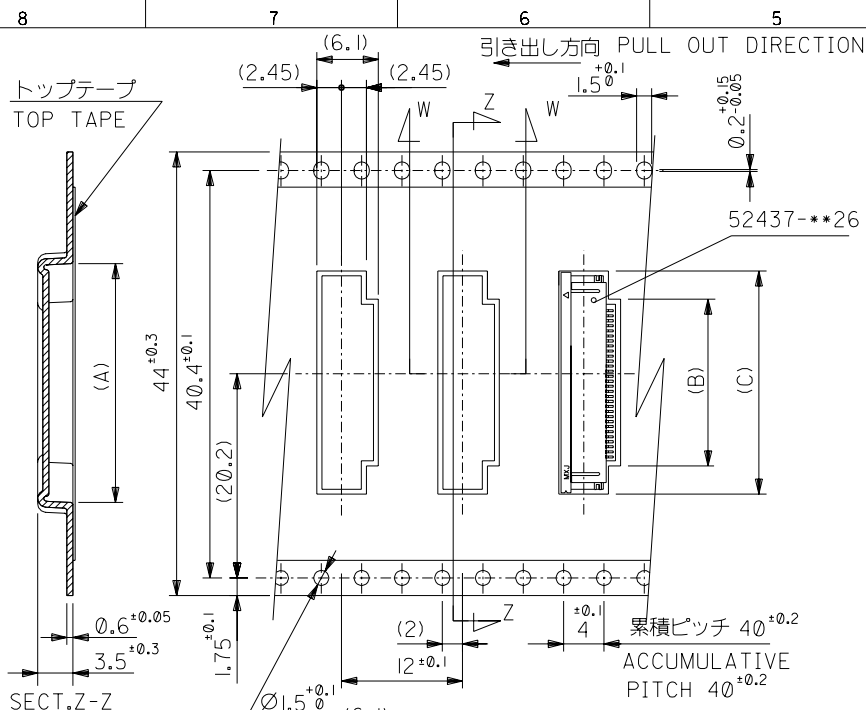


32	37.4	33.4	22.4	15.8	21.4	52437-2972	29
			21.9	15.3	20.9	-2872	28
			21.4	14.8	20.4	-2772	27
			20.9	14.3	19.9	-2672	26
			20.4	13.8	19.4	-2572	25
			19.9	13.3	18.9	-2472	24
			19.4	12.8	18.4	-2372	23
			18.9	12.3	17.9	-2272	22
			17.9	11.3	16.9	-2072	20
			17.4	10.8	16.4	-1972	19
24	29.4	25.4	16.9	10.3	15.9	-1872	18
			16.4	9.8	15.4	-1772	17
			15.9	9.3	14.9	-1672	16
			15.4	8.8	14.4	-1572	15
			14.9	8.3	13.9	-1472	14
			14.4	7.8	13.4	-1372	13
			13.9	7.3	12.9	-1272	12
			13.4	6.8	12.4	-1172	11
			12.9	6.3	11.9	-1072	10
			12.4	5.8	11.4	-0972	9
11.9	5.3	10.9	-0872	8			
11.4	4.8	10.4	-0772	7			
10.9	4.3	9.9	52437-0672	6			
キャリアテープ幅 CARRIER TAPE WIDTH	E	D	(C)	(B)	(A)	MATERIAL NO.	極数 CIRCUIT

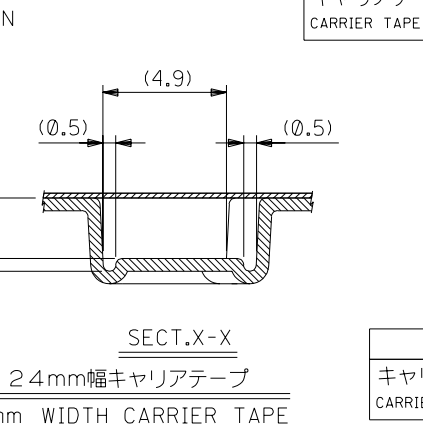
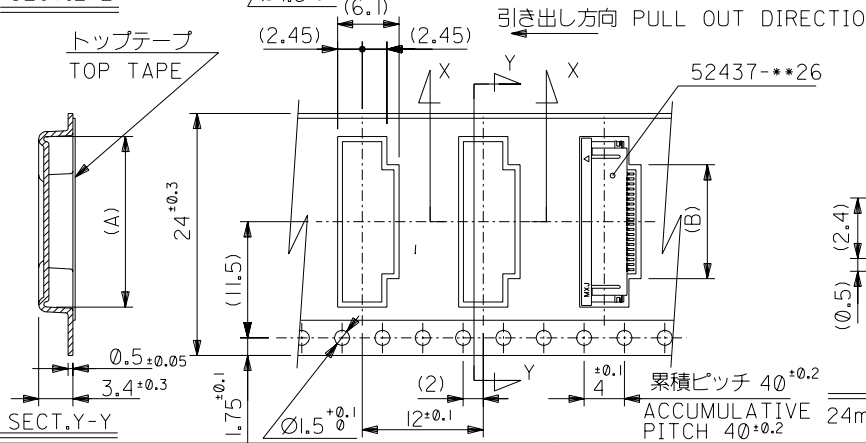
EC NO. DRWN: CHK: APPR:	EC NO. DRWN: CHK: APPR:	EC NO. DRWN: CHK: APPR:	REVISED '04/02/09 EC NO. J2004-2350 DRWN: N.AIDA CHK: K.TOJO APPR: M.SASAO	RELEASED '04/01/08 EC NO. J2004-1850 DRWN: Y.SAKIYAMA CHK: M.SASAO APPR: M.SASAO	MATERIAL 材料 SHEET 1 OF 3 参照 REFER TO SHEET 1 OF 3	GENERAL TOLERANCES: (UNLESS SPECIFIED) 一般公差	SCALE —//	DESIGN UNITS <input checked="" type="checkbox"/> mm <input type="checkbox"/> INCH	THIRD ANGLE PROJECTION <input checked="" type="checkbox"/> mm <input type="checkbox"/> INCH	DIMENSIONS: <input type="checkbox"/> mm <input type="checkbox"/> INCH	SHT REV
EC NO. DRWN: CHK: APPR:	EC NO. DRWN: CHK: APPR:	EC NO. DRWN: CHK: APPR:	A	0	FINISH 仕上げ —//	10 UNDER 未滿 ±0.2	DRAWN BY & DATE Y.SAKIYAMA '04/01/08	TITLE: 0.5 FPC Conn Assy ZIF SMT RA With Tape Embstp Pkg -LEAD FREE-	MOLEX MOLEX INCORPORATED	MATERIAL NO. 52437-***72	DRAWING NO. SD-52437-018
EC NO. DRWN: CHK: APPR:	EC NO. DRWN: CHK: APPR:	EC NO. DRWN: CHK: APPR:	A	0	WIRE RANGE 適用層線範囲 —//	10 OVER 30 UNDER 以上 未滿 ±0.25	CHECKED BY & DATE M.SASAO '04/01/08	REVISIONS	REVISIONS	SHEET NO. 2 OF 3	SHEET NO. 2 OF 3
EC NO. DRWN: CHK: APPR:	EC NO. DRWN: CHK: APPR:	EC NO. DRWN: CHK: APPR:	A	0	INS. RANGE 被覆外径 —//	30 OVER 以上 ±0.3	APPROVED BY & DATE M.SASAO '04/01/08	CAD FILENAME SD-52437-018.S02	MATERIAL NO. 52437-***72	DRAWING NO. SD-52437-018	SHEET NO. 2 OF 3
EC NO. DRWN: CHK: APPR:	EC NO. DRWN: CHK: APPR:	EC NO. DRWN: CHK: APPR:	A	0	ANGLE 角度 —//	ANGLE 角度 ≠3°	CAD FILENAME SD-52437-018.S02	MATERIAL NO. 52437-***72	DRAWING NO. SD-52437-018	SHEET NO. 2 OF 3	SIZE B

DO NOT SCALE DRAWING

DWG. NO.
SD-52437-018



44	49.4	45.4	22.9	16.3	21.9	52437-3072	30
キャリアテープ幅 CARRIER TAPE WIDTH	E	D	(C)	(B)	(A)	MATERIAL NO.	極数 CIRCUIT



24	29.4	25.4	11.8	17.4	52437-2172	21
キャリアテープ幅 CARRIER TAPE WIDTH	E	D	(B)	(A)	MATERIAL NO.	極数 CIRCUIT

EC NO. DRWN: CHK: APPR:	EC NO. DRWN: CHK: APPR:	EC NO. DRWN: CHK: APPR:	REVISED '04/02/09 EC NO. J2004-2350 DRWN: N.AIDA CHK: K.TOJO APPR: M.SASAO	RELEASED '04/01/08 EC NO. J2004-1850 DRWN: Y.SAKIYAMA CHK: M.SASAO APPR: M.SASAO
A				

MATERIAL 材料	SHEET 1 OF 3 参照 REFER TO SHEET 1 OF 3	
FINISH 仕上げ	//	
WIRE RANGE 適用線径範囲	//	
INS. RANGE 被覆外径	//	

GENERAL TOLERANCES: (UNLESS SPECIFIED) 一般公差	10 UNDER 未満	±0.2
	10 OVER 30 UNDER 以上 未満	±0.25
	30 OVER 以上	±0.3
ANGLE 角度	±3°	

SCALE //	DESIGN UNITS <input checked="" type="checkbox"/> mm <input type="checkbox"/> INCH	THIRD ANGLE PROJECTION	DIMENSIONS: <input type="checkbox"/> mm <input type="checkbox"/> INCH <input checked="" type="checkbox"/> mm ONLY	SHT REVISE ON CAD ONLY
DRAWN BY & DATE Y.SAKIYAMA '04/01/08	TITLE: 0.5 FPC Conn Assy ZIF SMT RA With Tape Embstp Pkg -LEAD FREE-			
CHECKED BY & DATE M.SASAO '04/01/08	MOLEX MOLEX INCORPORATED			
APPROVED BY & DATE M.SASAO '04/01/08	CAD FILENAME SD-52437-018.S03	MATERIAL NO. 52437-***72	DRAWING NO. SD-52437-018	SHEET NO. 3 OF 3
THIS DRAWING CONTAINS INFORMATION THAT IS PROPRIETARY TO MOLEX INCORPORATED AND SHOULD NOT BE USED WITHOUT WRITTEN PERMISSION.				SIZE B