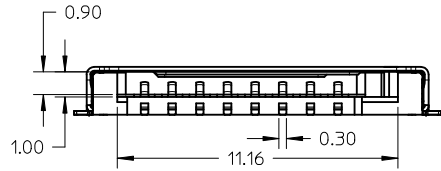
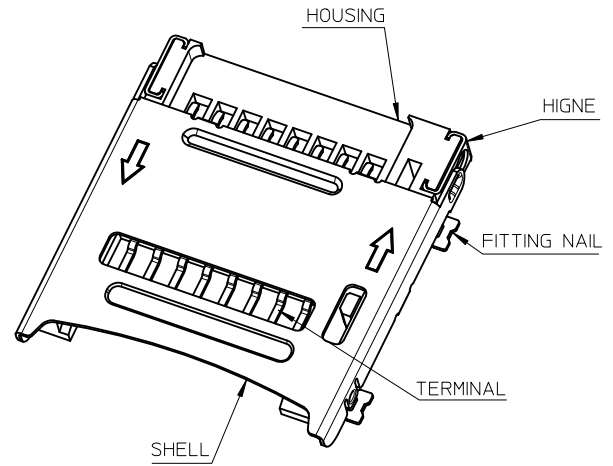
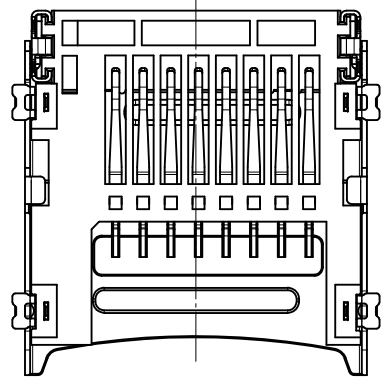
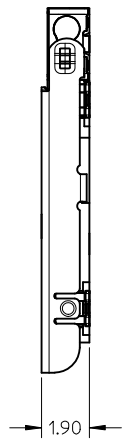
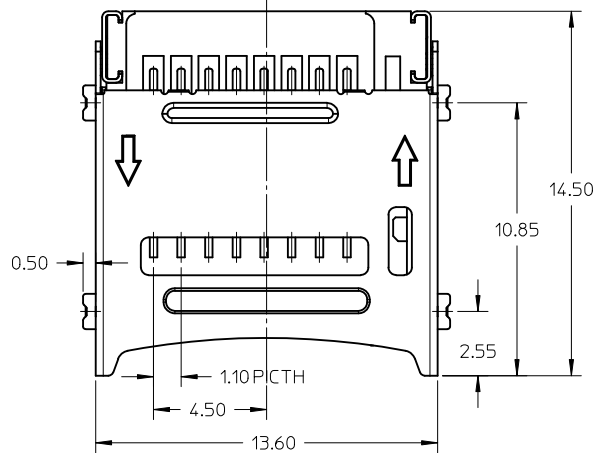


10 9 8 7 6 5 4 3 2 1

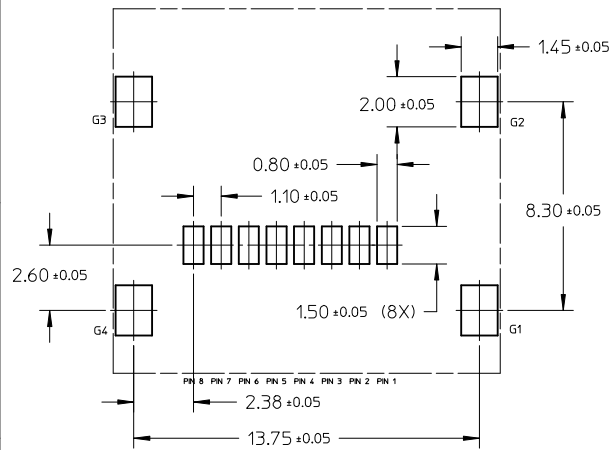


|           |                              |
|-----------|------------------------------|
| P/N       | Gold PLATING ON CONTACT AREA |
| 472190001 | 2u" min.                     |
| 472192001 | 20u" min.                    |

NOTES:

- MATERIAL:
  - 1-1 TERMINAL, FITTING NAIL, HIGE : COPPER ALLOY
  - 1-2 SHELL : STAINLESS STEEL
  - 1-3 HOUSING : LCP, UL 94-V0, BLACK
- FINISH:
  - 2-1 TERMINAL : OVERALL NICKEL UNDERPLATED, GOLD PLATING ON CONTACT AREA TIN PLATING ON SOLDER TAIL
  - 2-2 FITTING NAIL : OVERALL NICKEL UNDERPLATED, TIN PLATED ON SOLDER AREA
  - 2-3 HIGE : OVERALL NICKEL PLATING
- MECHANICAL SPECIFICATION:
  - DURABILITY MATED 5,000 TIMES AND STILL MEET ELECTRICAL CHARACTERISTICS
- ELECTRICAL SPECIFICATION:
  - 4-1 RATED CURRENT (PER CONTACT) : 0.5AMPS MAX AND TEMPERATURE RISE SHOULD BE 30°C MAX
  - 4-2 INSULATION RESISTANCE(I.R):100 MEGOHMS MIN.
  - 4-3 DIELECTRIC WITHSTANDING VOLTAGE : N/A
  - 4-4 CONTACT RESISTANCE: 100 MILLIOHMS MAX
- COMPLIANT TO RoHS DIRECTIVE 2002/95/EC AND ELV 2000/53/EC.
- PRODUCT PACKING: PK-47219-001.
- PRODUCT SPECIFICATION: PS-47219-001.

|            |          |
|------------|----------|
| G4         | GND      |
| G3         | GND      |
| G2         | GND      |
| G1         | GND      |
| PIN8       | DAT1     |
| PIN7       | DAT0     |
| PIN6       | VSS      |
| PIN5       | CLK      |
| PIN4       | VDD      |
| PIN3       | CMD      |
| PIN2       | CD/DAT3  |
| PIN1       | DAT2     |
| PIN NUMBER | PIN NAME |



RECOMMENDED PCB LAYOUT

IN CASE OF STENCIL THICKNESS: 0.12MM OPEN RATIO IS 100%.  
 IN CASE OF STENCIL THICKNESS : 0.1MM OPEN RATIO IS 100% MINIMUM.  
 (0.08MM STENCIL THICKNESS CAN NOT BE RECOMMENDED)

|         |                    |            |             |
|---------|--------------------|------------|-------------|
| REVISED | EC NO: SH2012-0233 | 2012/01/18 | DESCRIPTION |
|         | DRWING: GLL        | 2012/01/18 |             |
|         | CHKD: XQZHANG      | 2012/01/18 |             |
|         | APPR: AYIN         | 2012/01/20 |             |
| REV     |                    |            |             |

|  |         |
|--|---------|
| QUALITY SYMBOLS                                      | $F_A=0$ |
|  | $F_C=0$ |
| $F_B=0$  |         |
| ANGULAR $\pm 3^\circ$                                |         |
| DRAFT WHERE APPLICABLE MUST REMAIN WITHIN DIMENSIONS |         |

|                                       |                      |
|---------------------------------------|----------------------|
| GENERAL TOLERANCES (UNLESS SPECIFIED) |                      |
|                                       | mm INCH              |
| 4 PLACES                              | $\pm$ --- $\pm$ ---  |
| 3 PLACES                              | $\pm$ --- $\pm$ ---  |
| 2 PLACES                              | $\pm 0.15$ $\pm$ --- |
| 1 PLACE                               | $\pm$ --- $\pm$ ---  |
| MATERIAL NO. SEE TABLE                |                      |
| SIZE A3                               |                      |

|   |            |                           |                        |
|---|------------|---------------------------|------------------------|
| DIMENSION STYLE   | SCALE      | DESIGN UNITS              | THIRD ANGLE PROJECTION |
| MM ONLY   | 5:1        | METRIC                    |                        |
| DRAWN BY  | DATE       | TITLE                     |                        |
| GLL1  | 2012/01/18 | TFR READER HINGE TYPE     |                        |
| CHECKED BY  | DATE       | MOLEX INCORPORATED        |                        |
| XQZHANG   | 2012/01/18 | DOCUMENT NO. SD-47219-001 |                        |
| APPROVED BY   | DATE       | SHEET NO. 1 OF 1          |                        |
| THIS DRAWING CONTAINS INFORMATION THAT IS PROPRIETARY TO MOLEX INCORPORATED AND SHOULD NOT BE USED WITHOUT WRITTEN PERMISSION |            |                           |                        |

9 8 7 6 5 4 3 2 1