

**PLEASE CHECK WWW.MOLEX.COM FOR LATEST PART INFORMATION**

**Part Number:** [35441-9902](#)  
**Status:** **Active**  
**Description:** 0.187mm Female Terminal

**Documents:**

[Drawing \(PDF\)](#) [RoHS Certificate of Compliance \(PDF\)](#)  
[Product Specification PS-49006-001 \(PDF\)](#)

**General**

Product Family	Crimp Terminals
Series	<a href="#">35441</a>
Application	Signal
Comments	Box Type
Crimp Quality Equipment	Yes
Product Name	N/A
UPC	822348114771

**Physical**

Durability (mating cycles max)	10
Gender	Receptacle
Material - Metal	Brass
Material - Plating Mating	Tin
Material - Plating Termination	Tin
Net Weight	0.677/g
Packaging Type	Reel
Termination Interface: Style	Crimp or Compression
Wire Insulation Diameter	5.10mm
Wire Size AWG	16, 18, 20
Wire Size mm <sup>2</sup>	0.81, 1.02, 1.29

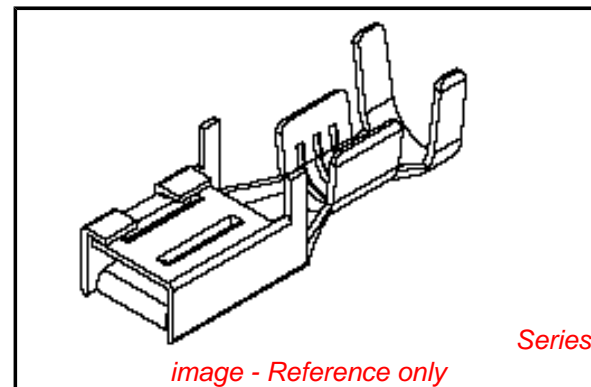
**Electrical**

Current - Maximum per Contact	3.5A
Voltage - Maximum	13V DC (RMS)

**Material Info**

**Reference - Drawing Numbers**

Product Specification	PS-49006-001
Sales Drawing	SD-35441-001



**EU RoHS**

**ELV and RoHS Compliant**  
**REACH SVHC Contains SVHC: No**  
**Low-Halogen Status Low-Halogen**

**China RoHS**



**Need more information on product environmental compliance?**

Email [productcompliance@molex.com](mailto:productcompliance@molex.com)  
 For a multiple part number RoHS Certificate of Compliance, [click here](#)

Please visit the [Contact Us](#) section for any non-product compliance questions.

**Search Parts in this Series**

35441Series

**Mates With**

49701-9902

**Application Tooling | FAQ**

*Tooling specifications and manuals are found by selecting the products below. Crimp Height Specifications are then contained in the Application Tooling Specification document.*

**Global**

Description	Product #
Hand Crimp Tool for .187 Receptacle Terminal	<a href="#">0638270600</a>