

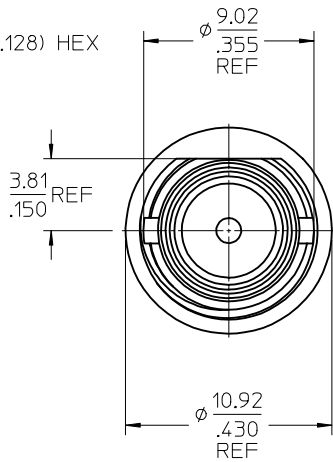
MATERIALS AND FINISHES

BODY, CRIMP TUBE, PRESS RING BRASS
PLATED NICKEL

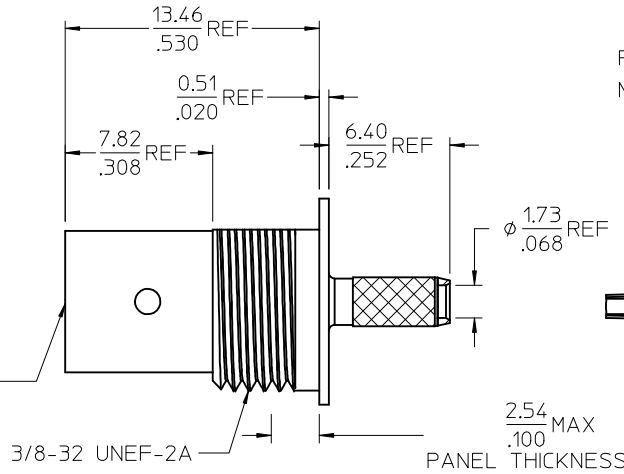
CENTER CONTACT PHOSPHOR BRONZE
PLATED GOLD

INSULATOR TEFLON

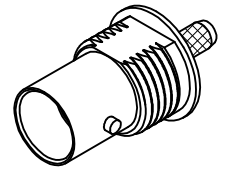
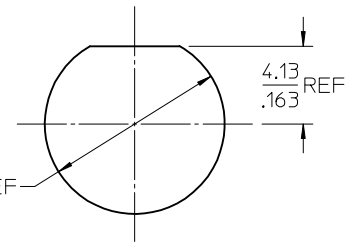
CRIMP DIE 3.25 (.128) HEX



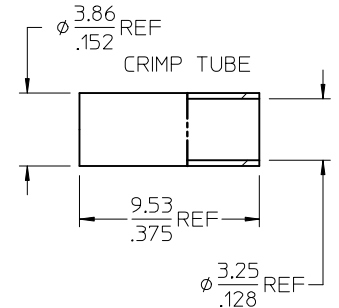
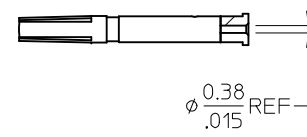
MINI BNC JACK
INTERFACE



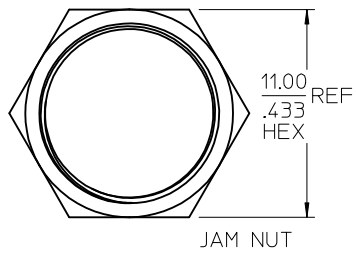
RECOMMENDED
MOUNTING HOLE



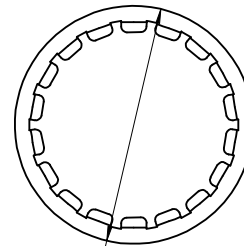
CONTACT



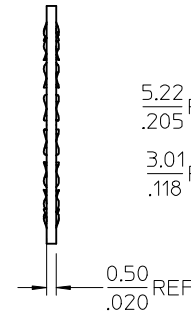
CRIMP TUBE



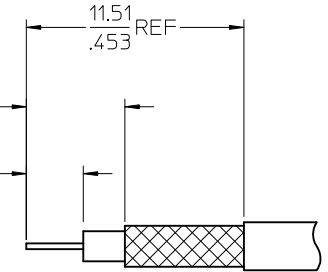
JAM NUT



LOCKWASHER



5.22 REF
0.205 REF
3.01 REF
0.118 REF



RECOMMENDED
STRIP DIMENSIONS

73171-2632	73171-2631, ONE PER BAG
73171-2631	WITH JAM NUT & LOCKWASHER/TRAY
73171-2630	NO JAM NUT & LOCKWASHER/TRAY
PART NO.	DESCRIPTION/PACKAGING

CHG: -2630/31 PKG TRAY WAS BULK PER RF15-E237 EC NO: URF2015-0708 DRW:WME102 2015/06/15 CHKD: APPR: YCHENG 2015/06/23	QUALITY SYMBOLS	GENERAL TOLERANCES (UNLESS SPECIFIED)	DIMENSION STYLE	SCALE	DESIGN UNITS	THIRD ANGLE PROJECTION
	▽=0	mm INCH	MM/IN	METRIC	THIRD ANGLE PROJECTION	
REV: A3	▽=0	4 PLACES ± --- ± ---	DRAWN BY JM DATE 2005/05/04	TITLE	MINI BNC JACK, BULKHEAD RG179, 75 OHMS EWR-2785, MINI BNC-JC	
	▽=0	3 PLACES ± --- ± ---	CHECKED BY JM DATE 2005/05/04	DOCUMENT NO.	SD-73171-263	
	▽=0	2 PLACES ± --- ± ---	APPROVED BY JDW DATE 2005/05/04	SHEET NO.	1 OF 1	
	▽=0	1 PLACE ± --- ± ---	MATERIAL NO.	THIS DRAWING CONTAINS INFORMATION THAT IS PROPRIETARY TO MOLEX INCORPORATED AND SHOULD NOT BE USED WITHOUT WRITTEN PERMISSION		
	▽=0	0 PLACE ± ±	SIZE C			
		ANGULAR ± 2 °				
		DRAFT WHERE APPLICABLE MUST REMAIN WITHIN DIMENSIONS				