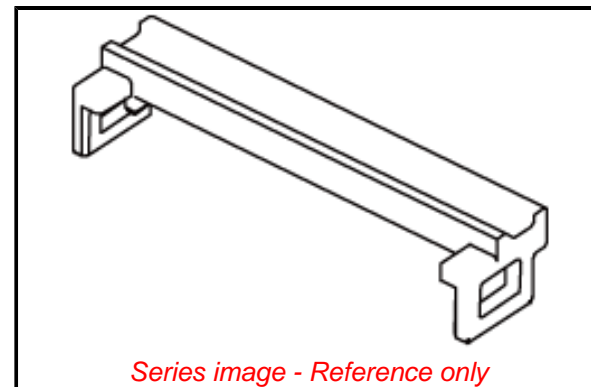


**PLEASE CHECK WWW.MOLEX.COM FOR LATEST PART INFORMATION**

**Part Number:** **5017845009**  
**Status:** **Active**  
**Description:** 0.50mm Pitch FFC-to-Board Connector, Plug Jacket Cover, 50 Circuits

**Documents:**

<a href="#">3D Model</a>	<a href="#">Product Specification PS-501864-002-001 (PDF)</a>
<a href="#">Drawing (PDF)</a>	<a href="#">Application Specification 5017832000-A00 (PDF)</a>
<a href="#">Product Specification PS-501786-001-001 (PDF)</a>	<a href="#">Packaging Specification SPK-501784-001-001 (PDF)</a>
<a href="#">Product Specification PS-501786-002-001 (PDF)</a>	<a href="#">RoHS Certificate of Compliance (PDF)</a>
<a href="#">Product Specification PS-501864-001-001 (PDF)</a>	



**Agency Certification**

UL E29179

**General**

Product Family	Accessories
Series	501784
Comments	Requires a custom FFC with notches
Component Type	Jacket Cover
Product Name	N/A
UPC	822350232135

**Physical**

Breakaway	No
Circuits (Loaded)	50
Circuits (maximum)	50
Color - Resin	Black
Flammability	94V-0
Gender	Plug
Material - Resin	Polyester
Net Weight	162.100/mg
Packaging Type	Bag
Polarized to Mating Part	Yes
Temperature Range - Operating	-40°C to +105°C

**Electrical**

Current - Maximum per Contact 0.5A

**Material Info**

**Reference - Drawing Numbers**

Application Specification	5017832000-A00
Packaging Specification	SPK-501784-001-001
Product Specification	PS-501786-001-001, PS-501786-002-001, PS-501864-001-001, PS-501864-002-001
Sales Drawing	SD-501784-001

**EU ELV**

**Not Relevant**

**EU RoHS**

**Compliant**

**REACH SVHC**

Not Contained Per  
-ED/01/2017 (12  
January 2017)

**Halogen-Free**

**Status**

**Not Low-Halogen**

**Need more information on product environmental compliance?**

Email [productcompliance@molex.com](mailto:productcompliance@molex.com)  
Please visit the [Contact Us](#) section for any non-product compliance questions.

China ROHS

ELV

RoHS Phthalates

**China RoHS**

Green Image

Not Relevant

Not Contained

**Search Parts in this Series**

501784 Series

**Use With**

501786 FFC-to-Board Connector, 501864 FFC-to-Board Connector, 501783 Plug Jacket