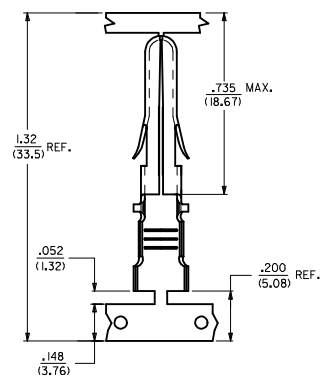
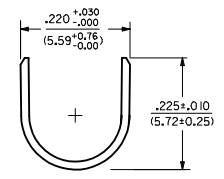
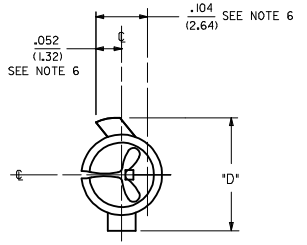
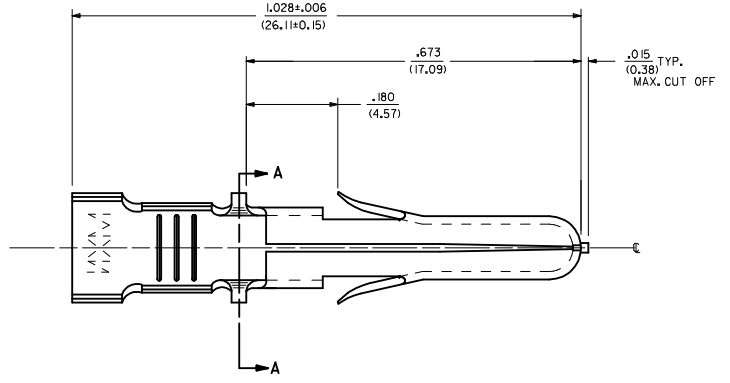


20	19	18	17	16	15	14	13	12	11	10	9	8	7	6	5	4	3	2	1
ITEM NO.	CRIMP SIZE	MATERIAL				PLATING	PACKAGING	"D"											
42824-4001	18 AWG	.0160/(0.406) THICK BRASS				PRE-TINNED .00020/ (0.0005) MIN. TIN	SUPPLIED ON REEL	.225 (5.72)											
42824-4002	12 AWG																		

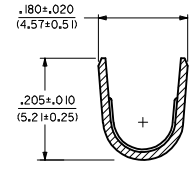


**STRIP AND CARRIER LAYOUT**  
SCALE 4:1

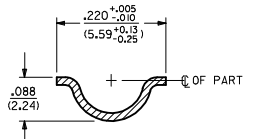
- NOTES:
1. MATERIAL: SEE CHART
  2. FINISH: SEE CHART
  3. PRODUCT SPECIFICATION: PS-40585
  4. PACKAGING SPECIFICATION: SEE CHART
  5. REELS OF THESE TERMINALS CANNOT HAVE MECHANICAL SPLICES.
  6. USING SEAM LINE AS VERTICAL CENTERLINE INDICATOR- MAXIMUM EXCURSION FROM HORIZONTAL CENTERLINE IS INDICATED FOR BOTH LOCK AND STOP TABS.
  7. THIS TERMINAL FOR USE IN HOUSING NO'S. 40585-1-5, 40585-3000, 43032-3300, 43032-3400, AND 43032-3500.
  8. TERMINALS FOR USE WITH STRANDED WIRE.
  9. PARTS CONFORM TO CLASS B REQUIREMENTS OF COSMETIC SPECIFICATION PS-45499-002.



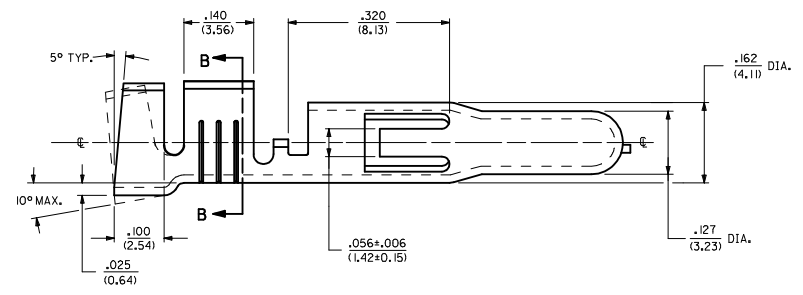
**INSULATION CRIMP DETAIL**



**SECTION B-B**

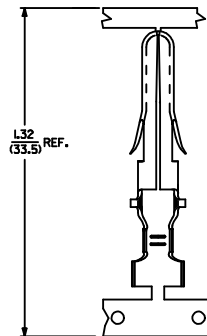
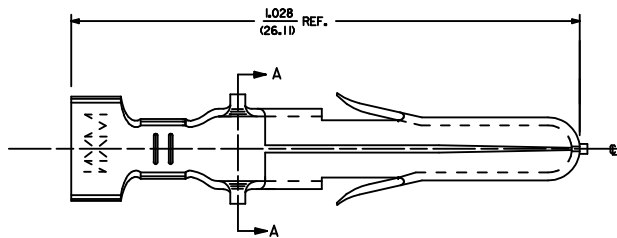


**SECTION A-A**

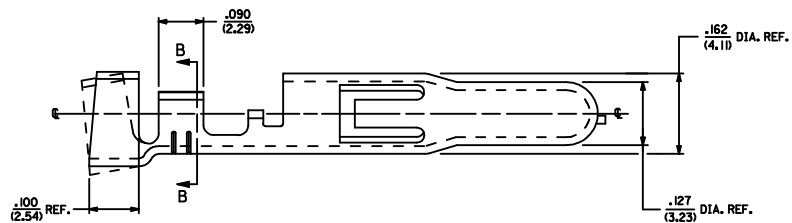


**12 AWG TERMINAL SHOWN**

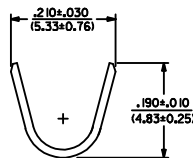
<b>REMOVE OBSOLETE</b> EIC NO. UCFP2016-4886 DRAWN BY BAPPELDORN 2016/06/24 CHECKED BY CHYK0808/08/07 APPROVED BY ZAPPELDORN/11/11	QUALITY SYMBOLS	GENERAL TOLERANCES (UNLESS SPECIFIED)	DIMENSION STYLE	SCALE	DESIGN UNITS	THIRD ANGLE PROJECTION
	▽=0	4 PLACES ±.005 ±.005	IN/MM	8:1	INCH	
	▽=0	3 PLACES ±.013 ±.01				
	▽=0	1 PLACE ±.025 ±.01				
		ANGULAR ±1/2°	DRAWN BY DATE	TITLE		
		DRAFT WHERE APPLICABLE MUST REMAIN WITHIN DIMENSIONS	BAPPELDORN 2016/06/24	TERMINAL PIN .125(3.18) DIA.		
			CHECKED BY DATE	DOCUMENT NO.		
			SBB 90/03/08	SD-42824-40**		
			APPROVED BY DATE	SHEET NO.		
			FSMITH 2016/07/06	1 OF 2		
			MATERIAL NO.	THIS DRAWING CONTAINS INFORMATION THAT IS PROPRIETARY TO MOLEX INCORPORATED AND SHOULD NOT BE USED WITHOUT WRITTEN PERMISSION		
			SEE CHART			



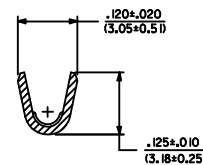
**STRIP AND CARRIER LAYOUT**  
SCALE 4:1



**18 AWG TERMINAL SHOWN**



**INSULATION CRIMP DETAIL**



**SECTION B-B**

<b>SEE SHEET 1</b> IEC NO: UCP2016-4886 DRAWN BY: BAPPELDORN 2016/06/24 CHECKED BY: CHYKHOPPER 2016/06/27 APPROVED BY: FSMITH 2016/07/06	QUALITY SYMBOLS ▽=0 ▽=0 ▽=0	GENERAL TOLERANCES (UNLESS SPECIFIED) mm INCH 4 PLACES ±.005 ±.005 3 PLACES ±.013 ±.01 2 PLACES ±.025 ±.01 1 PLACE ±.05 ±.01 0 PLACE ±.1 ±.01	DIMENSION STYLE IN/MM SCALE 8:1 DESIGN UNITS INCH THIRD ANGLE PROJECTION	DRAWN BY DATE BAPPELDORN 2016/06/24 CHECKED BY DATE SBB 90/03/08 APPROVED BY DATE FSMITH 2016/07/06	TITLE TERMINAL PIN .125(3.18) DIA. molex
	MATERIAL NO. SEE CHART DRAFT WHERE APPLICABLE MUST REMAIN WITHIN DIMENSIONS	DOCUMENT NO. SD-42824-40**	SHEET NO. 2 OF 2		