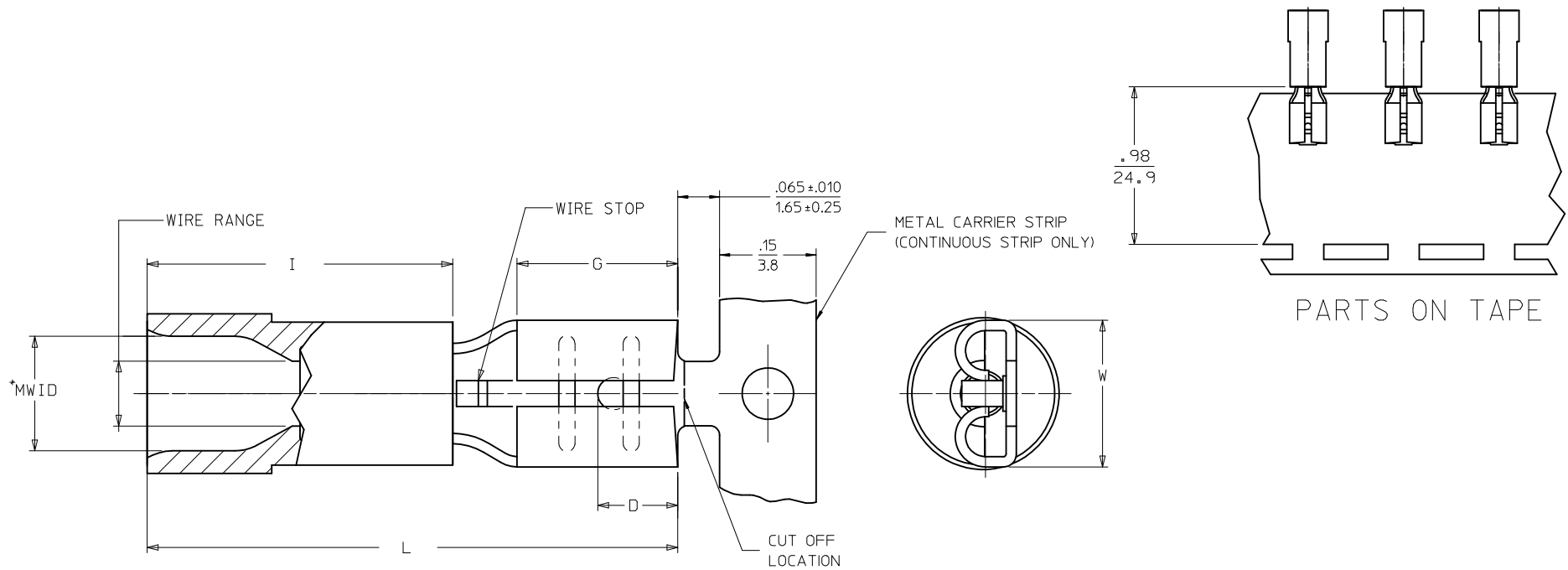


| LOOSE PIECE | | TAPE MOUNTED | | CONTINUOUS STRIP | | SPECIFICATIONS | | | | | | | | | | | |
|-----------------|--------------------|-----------------|--------------------|------------------|--------------------|-----------------|----------|----------|---------------------|---------------------|-----------------|-------------|----------|----------|-----------|----------|---------|
| MATERIAL NUMBER | ENGINEERING NUMBER | MATERIAL NUMBER | ENGINEERING NUMBER | MATERIAL NUMBER | ENGINEERING NUMBER | INS. COLOR | WIRE AWG | RANGE | MM ² | FITS MALE TAB SIZE | STOCK THICKNESS | "L" MAX. | "I" MAX. | "W" MAX. | "D" ±.01 | "G" NOM. | MWID |
| 190170014 | AA-2140 | 190170017 | AA-2140T | 190170022 | AAZ-2140 | RED | 22-18 | 0.25-1.5 | .250x.032/6.35x0.81 | .250x.032/6.35x0.81 | .016/0.41 | .865/21.97 | .42/10.7 | .31/7.9 | .156/3.96 | .31/7.9 | .13/3.3 |
| 190170037 | BB-2141 | 190170041 | BB-2141T | 190170074 | BBZ-2141 | BLUE | 16-14 | 1.0-2.5 | .250x.032/6.35x0.81 | .250x.032/6.35x0.81 | .016/0.41 | .865/21.97 | .42/10.7 | .31/7.9 | .156/3.96 | .31/7.9 | .14/3.6 |
| 190170047 | C-2143 | 190170050 | C-2143T | - | - | YELLOW | 12-10 | 4.0-6.0 | .250x.032/6.35x0.81 | .250x.032/6.35x0.81 | .018/0.46 | 1.011/25.68 | .56/14.2 | .31/7.9 | .156/3.96 | .31/7.9 | .24/6.1 |
| 190170007 | AA-2137 | 190170012 | AA-2137T | 190170068 | AAZ-2137 | RED | 22-18 | 0.25-1.5 | .187x.020/4.75x0.51 | .187x.020/4.75x0.51 | .016/0.41 | .789/20.04 | .42/10.7 | .25/6.4 | .125/3.18 | .25/6.4 | .13/3.3 |
| 190170031 | BB-2138 | 190170035 | BB-2138T | 190170072 | BBZ-2138 | BLUE | 16-14 | 1.0-2.5 | .187x.020/4.75x0.51 | .187x.020/4.75x0.51 | .016/0.41 | .789/20.04 | .42/10.7 | .25/6.4 | .125/3.18 | .25/6.4 | .14/3.6 |
| 190170008 | AA-2137-032 | 190170009 | AA-2137-032T | 190170069 | AAZ-2137-032 | BRIGHT RED (A) | 22-18 | 0.25-1.5 | .187x.032/4.75x0.81 | .187x.032/4.75x0.81 | .016/0.41 | .789/20.04 | .42/10.7 | .25/6.4 | .125/3.18 | .25/6.4 | .13/3.3 |
| 190170032 | BB-2138-032 | - | - | 190170073 | BBZ-2138-032 | BRIGHT BLUE (A) | 16-14 | 1.0-2.5 | .187x.032/4.75x0.81 | .187x.032/4.75x0.81 | .016/0.41 | .789/20.04 | .42/10.7 | .25/6.4 | .125/3.18 | .25/6.4 | .14/3.6 |
| 190170001 | AA-2131 | 190170004 | AA-2131T | 190170066 | AAZ-2131 | RED | 22-18 | 0.25-1.5 | .110x.020/2.80x0.51 | .110x.020/2.80x0.51 | .012/0.30 | .789/20.04 | .42/10.7 | .17/4.3 | .210/5.33 | .25/6.4 | .13/3.3 |
| 190170023 | BB-2132 | 190170026 | BB-2132T | 190170070 | BBZ-2132 | BLUE | 16-14 | 1.0-2.5 | .110x.020/2.80x0.51 | .110x.020/2.80x0.51 | .012/0.30 | .789/20.04 | .42/10.7 | .17/4.3 | .210/5.33 | .25/6.4 | .14/3.6 |
| 190170005 | AA-2134 | 190170006 | AA-2134T | 190170067 | AAZ-2134 | BRIGHT RED (A) | 22-18 | 0.25-1.5 | .110x.032/2.80x0.81 | .110x.032/2.80x0.81 | .012/0.30 | .789/20.04 | .42/10.7 | .17/4.3 | .210/5.33 | .25/6.4 | .13/3.3 |
| 190170028 | BB-2135 | 190170029 | BB-2135T | 190170071 | BBZ-2135 | BRIGHT BLUE (A) | 16-14 | 1.0-2.5 | .110x.032/2.80x0.81 | .110x.032/2.80x0.81 | .012/0.30 | .789/20.04 | .42/10.7 | .17/4.3 | .210/5.33 | .25/6.4 | .14/3.6 |
| 190170018 | AA-2190 | 190170003 | AA-2190T | - | - | RED | 22-18 | 0.25-1.5 | .205x.020/5.21x0.51 | .205x.020/5.21x0.51 | .016/0.41 | .789/20.04 | .42/10.7 | .26/6.6 | .125/3.18 | .25/6.4 | .13/3.3 |
| 190170043 | BB-2191 | 190170046 | BB-2191T | - | - | BLUE | 16-14 | 1.0-2.5 | .205x.020/5.21x0.51 | .205x.020/5.21x0.51 | .016/0.41 | .789/20.04 | .42/10.7 | .26/6.6 | .125/3.18 | .25/6.4 | .14/3.6 |
| 190170019 | AA-2190-032 | - | - | - | - | BRIGHT RED (A) | 22-18 | 0.25-1.5 | .205x.032/5.21x0.81 | .205x.032/5.21x0.81 | .016/0.41 | .789/20.04 | .42/10.7 | .26/6.6 | .125/3.18 | .25/6.4 | .13/3.3 |
| 190170044 | BB-2191-032 | 190170016 | BB-2191-032T | - | - | BRIGHT BLUE (A) | 16-14 | 1.0-2.5 | .205x.032/5.21x0.81 | .205x.032/5.21x0.81 | .016/0.41 | .789/20.04 | .42/10.7 | .26/6.6 | .125/3.18 | .25/6.4 | .14/3.6 |



- NOTES:
1. MATERIAL: BRASS TERMINAL
 2. FINISH: ELECTRO-TIN PLATING
 3. INSULATION: MOLDED PVC
 - 4.*MWID=MAXIMUM WIRE INSULATION DIAMETER
 5. PARTS ARE ROHS COMPLIANT.

| | | | | | | | |
|--|--|---|---|--------------|---|------------------------|--|
| FERRULE DESCR. CONT P/N EC NO: MNA2011-0346 DRW:ETHRODAHL 2011/04/20 CHKD:JMACNEIL 2011/04/26 APPR:JMACNEIL 2011/07/13 | QUALITY SYMBOLS | GENERAL TOLERANCES (UNLESS SPECIFIED) | DIMENSION STYLE | SCALE | DESIGN UNITS | THIRD ANGLE PROJECTION | |
| | $\nabla=0$ $\nabla=0$ | mm INCH | IN/MM | --- | INCH | | |
| | | 4 PLACES ± --- ± --- 3 PLACES ± --- ± .005 2 PLACES ± .13 ± .010 1 PLACE ± 0.25 ± .020 | DRAWN BY DATE ETHRODAHL 2011/04/20 CHECKED BY DATE JMACNEIL 2011/04/26 APPROVED BY DATE JMACNEIL 2011/07/13 | TITLE | QUICK DISCONNECT PARTIALLY INSULATED INSULKRIMP | | |
| | | ANGULAR ± ---° | MATERIAL NO. | DOCUMENT NO. | MOLEX INCORPORATED SD-19017-003 | | |
| | DRAFT WHERE APPLICABLE MUST REMAIN WITHIN DIMENSIONS | SIZE | THIS DRAWING CONTAINS INFORMATION THAT IS PROPRIETARY TO MOLEX INCORPORATED AND SHOULD NOT BE USED WITHOUT WRITTEN PERMISSION | | | | |
| A | REV | | | | | SHEET NO. 1 OF 1 | |