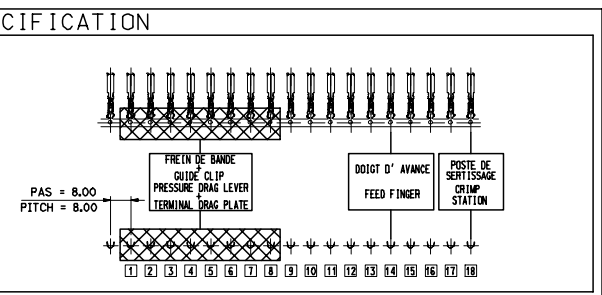
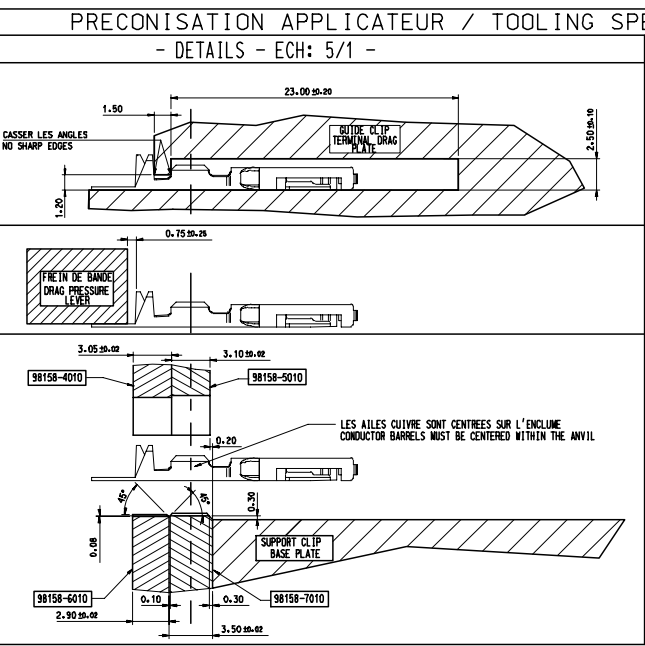
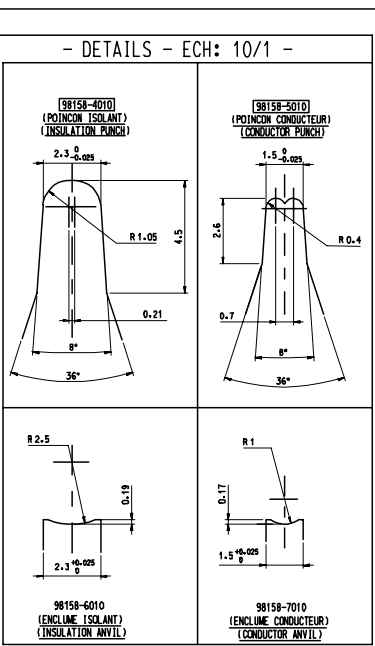
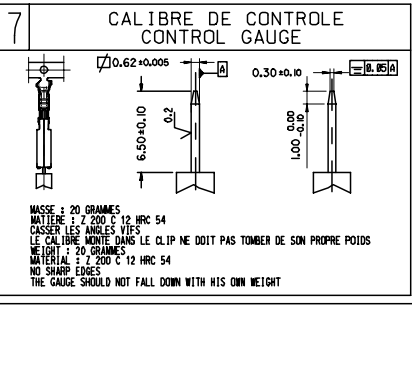
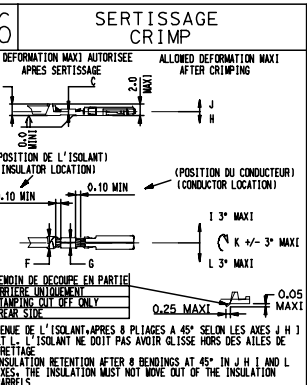
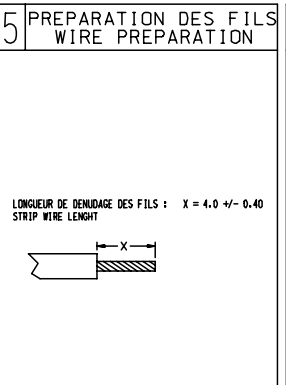
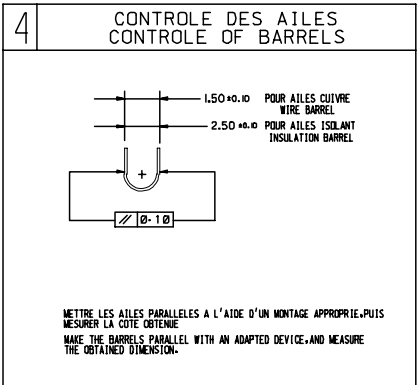
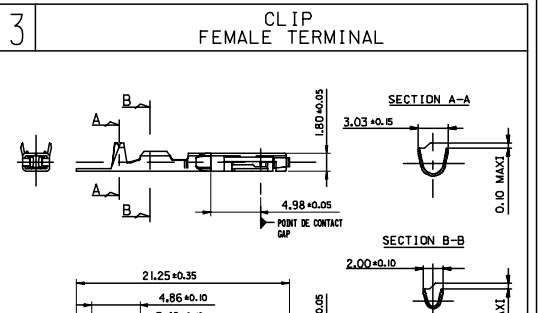
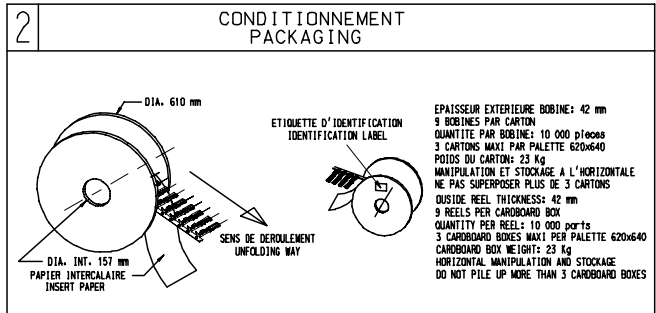


CONTROLE CLIP / CONTROLE FEMALE CONTACT

**1 SERTISSAGE CRIMPING**

FIL / WIRE				CONTACT / TERMINAL REFERENCES PART #		REFERENCES D'OUTIL TOOL #		PARAMETRES DE SERTISSAGE CRIMPING PARAMETERS					
TYPE	SECTION REELLE REAL SECTION	DIAM. EXTERIEUR MAX. MAX. STRANDING DIA.	DIAM. INTERIEUR MAX. MAX. STRANDING DIA.	MOLEX	R.N./L.R.	PONCONEUR CONDUCTEUR CONDUCTOR PUNCH	ENCLUME CONDUCTEUR CONDUCTOR ANVIL	HAUTEUR HEIGHT	LARGEUR WIDTH	PROFONDEUR DE PENETRATION PERFORATION	HAUTEUR HEIGHT	LARGEUR WIDTH	FRETTAGE ISOLANT INSULATION BARREL
								C (mm)	W (mm)	P (mm)	H (mm)	F (mm)	
0.22 R1	0.22 mm <sup>2</sup>	7	0.25	L20	40.05			L01 ± 0.03	L5 ± 0.1	> 50 N	L56 ± 0.1	2.2 ± 0.1	
0.35 R1 R3	0.34 mm <sup>2</sup>	7	0.25	L30	20.05			L05 ± 0.03	L5 ± 0.1	> 60 N	L6 ± 0.1	2.2 ± 0.1	
0.35 D3	0.34 mm <sup>2</sup>	7	0.25	L20	20.05			L05 ± 0.03	L5 ± 0.1	> 60 N	L45 ± 0.1	2.2 ± 0.1	
0.50 R1 R3	0.478 mm <sup>2</sup>	19	0.38	L50	40.05	98587-0014	7 703 497 802 98158-5010 98158-7010 98158-4010 98158-6010	L07 ± 0.03	L5 ± 0.1	> 80 N	L55 ± 0.05	2.3 ± 0.1	
0.50 D3	0.478 mm <sup>2</sup>	19	0.38	L40	20.05			L07 ± 0.03	L5 ± 0.1	> 80 N	L55 ± 0.1	2.3 ± 0.1	
0.60 R1 R3	0.59 mm <sup>2</sup>	12	0.25	L80	40.05			L14 ± 0.03	L5 ± 0.1	> 100 N	L95 ± 0.05	2.3 ± 0.05	



**TOLERANCES APPLICATEUR / TOOLING TOLERANCES**

RAYONS / RADIUS	± 0.05
ANGLE / ANGLE	± 0°15'
SYMETRIE / SYMMETRY	± 0.03
DIMENSION / DIMENSION	± 0.05

A	15/06/02	PREMIERE DIFFUSION FIRST PROPOSAL	
IND.	DATE	REVISION	

Generic sales dwg  
DRAWING NUMBER: 2005/09/13  
CHECKED BY: CHIKOMANDRE 2005/09/13  
APPROVAL: 2005/09/14

GENERAL TOLERANCES (UNLESS SPECIFIED)		DIMENSION STYLE		SCALE	DESIGN UNITS	FIRST ANGLE PROJECTION
		MM ONLY			METRIC	
4 PLACES	±	mm	INCH	DRAWN BY	DATE	TITLE
3 PLACES	±			MANDRE	2005/06/02	CLIP HDX 0.635 MM
2 PLACES	±			CHECKED BY	DATE	HDX RCPT TERM 0.635 MM
1 PLACE	±			PGRANDCL	2005/06/02	
ANGULAR ±1/2°				APPROVED BY	DATE	
				STICKEI	2005/06/03	
DRAFT WHERE APPLICABLE MUST REMAIN WITHIN DIMENSIONS		MATERIAL NO.		DOCUMENT NO.		SHEET NO.
		SEE CHART		SD-98587-001		1 OF 1

MOLEX INCORPORATED

THIS DRAWING CONTAINS INFORMATION THAT IS PROPRIETARY TO MOLEX INCORPORATED AND SHOULD NOT BE USED WITHOUT WRITTEN PERMISSION