

**HEADERS CODINGS**

(CODING 2 SHOWN)

HEADERS CODINGS FOR MODULE T2 (32W)					
COLOR	CODING	DIM. A	DIM. B	DIM. C	DIM. D
BLACK	1	9.1	4.3	5.9	4.3
GREY	2	7.5	5.9	9.1	5.9
BROWN	3	5.9	7.5	9.1	9.1
GREEN	4	7.5	9.1	4.3	4.3
BLUE	5	4.3	7.5	5.9	5.9
YELLOW	6	9.1	7.5	4.3	7.5

(CODING 3 SHOWN)

HEADERS CODINGS FOR MODULE T3 (48W)					
COLOR	CODING	DIM. A	DIM. B	DIM. C	DIM. D
BLACK	1	12.9	6.3	8.5	6.3
GREY	2	10.7	8.5	12.9	8.5
BROWN	3	8.5	10.7	12.9	12.9
GREEN	4	10.7	12.9	6.3	6.3
BLUE	5	6.3	10.7	8.5	8.5
YELLOW	6	12.9	10.7	6.3	10.7

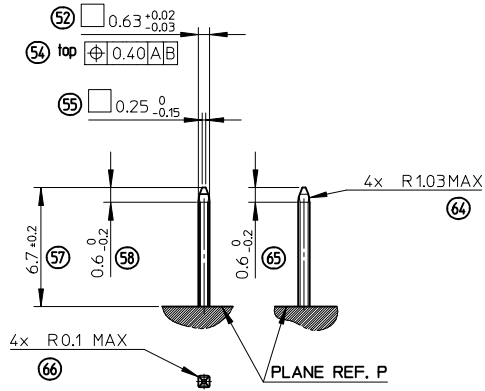
**NOTE:**

- 1- INTERFACE DEFINITION BASED ON NFR13-462 STANDARD.
- 2- HEADER: ELASTICITY MODULUS: 8000Mpa min. (INITIAL CONDITION BEFORE AGEING)

<b>ENTER DESCRIPTION</b> EC NO: G2010-0220 DRAWN: POCHELE 2010/05/20 CHKD: J. GIURIATO 2008/10/03 APPR: CBOU/CHAN 2010/06/29	<b>GENERAL TOLERANCES (UNLESS SPECIFIED)</b> mm INCH 4 PLACES ± --- ± --- 3 PLACES ± --- ± --- 2 PLACES ± 0.10 ± --- 1 PLACE ± 0.10 ± --- ANGULAR ± 2 °		<b>DIMENSION STYLE</b> MM ONLY DRAWN BY DATE G. DESBRUERES 2008/10/02 CHECKED BY DATE J. GIURIATO 2008/10/03 APPROVED BY DATE O. PLESSIS 2008/10/06 MATERIAL NO.	<b>SCALE</b> 2:1 <b>DESIGN UNITS</b> METRIC <b>FIRST ANGLE PROJECTION</b>	<b>TITLE</b> INTERFACES FOR CONNECTOR 32 & 48 CKT CMC GENERIC SALES DRAWING <b>MOLEX</b> MOLEX INCORPORATED DOCUMENT NO. SD-98644-006 SHEET NO. 1 OF 3
	DRAFT WHERE APPLICABLE MUST REMAIN WITHIN DIMENSIONS		SIZE A2 THIS DRAWING CONTAINS INFORMATION THAT IS PROPRIETARY TO MOLEX INCORPORATED AND SHOULD NOT BE USED WITHOUT WRITTEN PERMISSION		

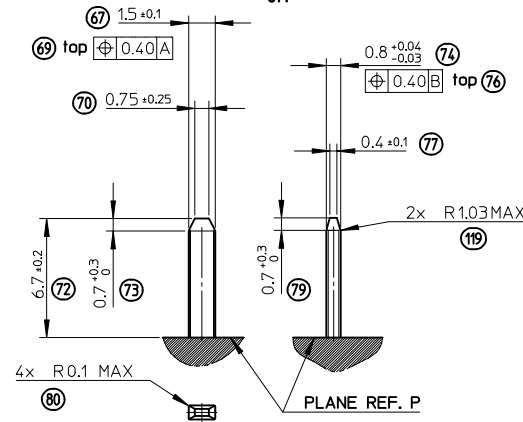
**PINS 0.635 DEFINITION**

5:1



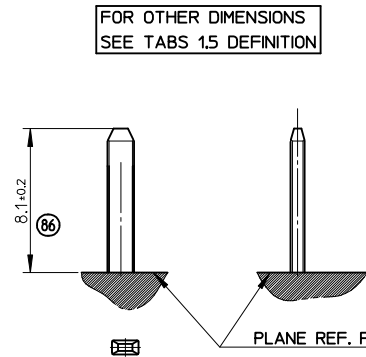
**TABS 1.5 DEFINITION**

5:1



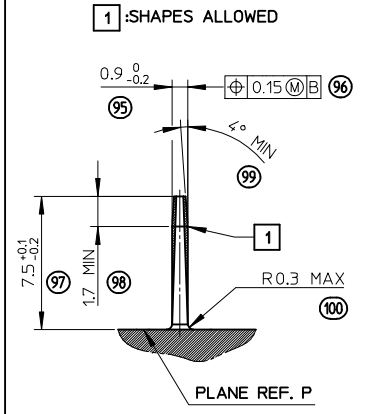
**GROUND TABS 1.5 DEFINITION**

5:1



**PROTECTION WALL DEFINITION**

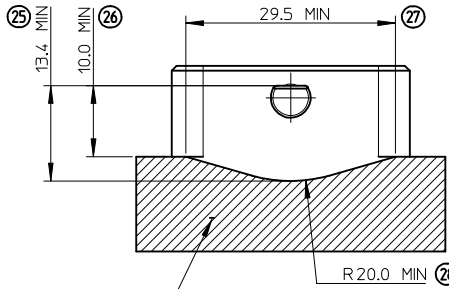
5:1



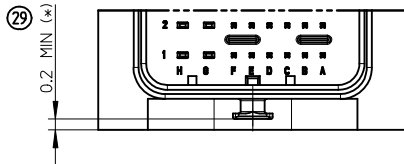
**LOCKING AXIS PROTECTION**

2:1

MANDATORY OVERTHICKNESS: dimension noted (\*)  
IF THE LOCKING AXIS ARE OUT OF  
EQUIPMENT OVERALL DIMENSIONS.

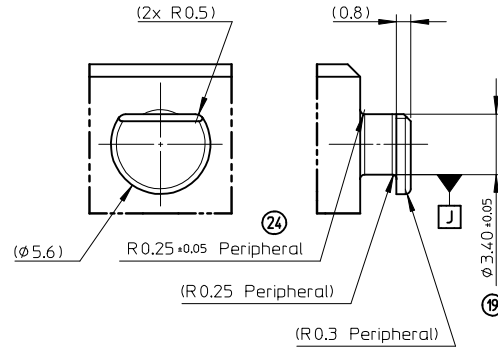


ADMISSIBLE SHAPES WITH OVERTHICKNESS 0.2 MIN (\*)



**LOCKING AXIS DEFINITION**

5:1



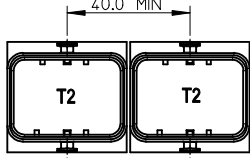
<b>ENTER DESCRIPTION</b> EC NO: G2010-0220 DRAWN: P. CHELE 2010/05/20 CHKD: J. GIURIATO 2008/10/03 APPR: C. BOUGHAN 2010/06/29	GENERAL TOLERANCES (UNLESS SPECIFIED)		DIMENSION STYLE <b>MM ONLY</b>		SCALE 1:1	DESIGN UNITS METRIC	FIRST ANGLE PROJECTION	
	4 PLACES ± --- ± ---	3 PLACES ± --- ± ---	2 PLACES ± 0.10 ± ---	1 PLACE ± 0.10 ± ---	DRAWN BY G. DESBRUERES 2008/10/02	DATE 2008/10/02	TITLE INTERFACES FOR CONNECTOR 32 & 48 CKT CMC GENERIC SALES DRAWING	
	DRAFT WHERE APPLICABLE MUST REMAIN WITHIN DIMENSIONS		ANGULAR ± 2°		CHECKED BY J. GIURIATO 2008/10/03	DATE 2008/10/03	MOLEX INCORPORATED	
	MATERIAL NO. N/A		APPROVED BY O. PLESSIS 2008/10/06		DATE 2008/10/06	DOCUMENT NO. SD-98644-006	SHEET NO. 2 OF 3	

# CONNECTOR ON HEADER - OVERALL DIMENSIONS

MULTI-HEADERS LAYOUT

**LAYOUT FOR TWO INTERFACES T2 (32W)**

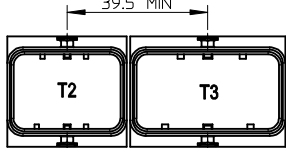
FOR SAME HARNESS EXIT CONFIGURATION



FOR OPPOSITE HARNESS EXIT CONFIGURATION

**LAYOUT FOR TWO INTERFACES T2 (32W) AND T3 (48W)**

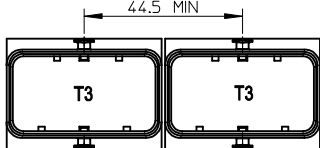
FOR SAME HARNESS EXIT CONFIGURATION



FOR OPPOSITE HARNESS EXIT CONFIGURATION

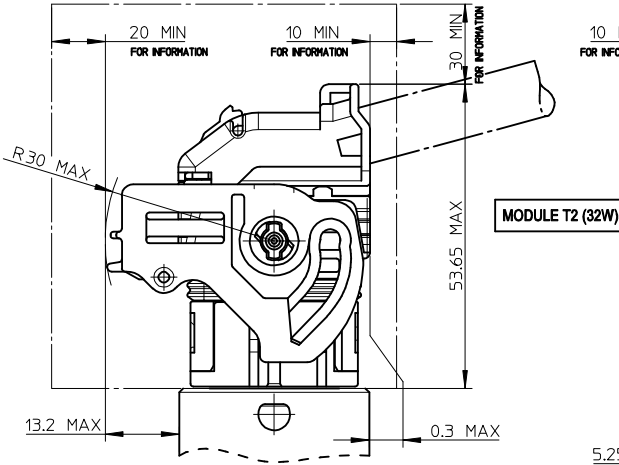
**LAYOUT FOR TWO INTERFACES T3 (48W)**

FOR SAME HARNESS EXIT CONFIGURATION

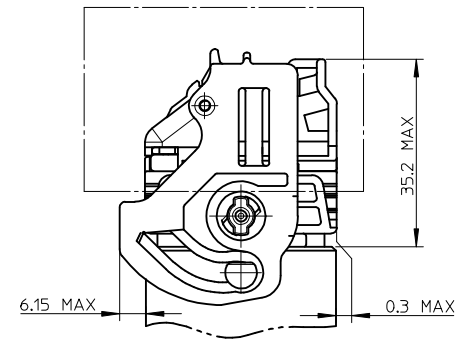


FOR OPPOSITE HARNESS EXIT CONFIGURATION

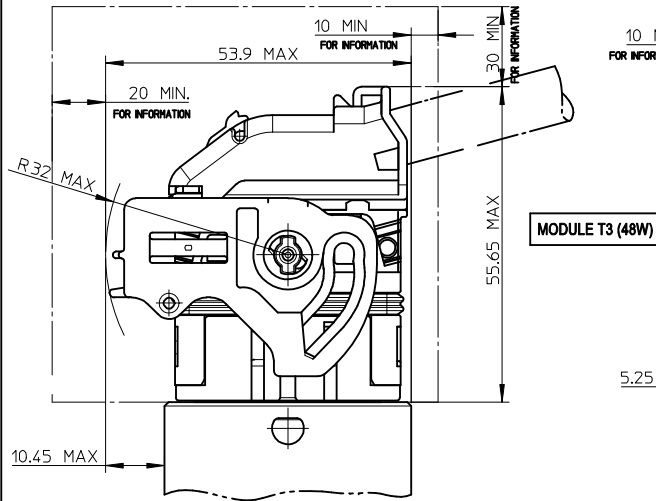
**UNLOCKED CONNECTOR - OVERALL DIMENSIONS**



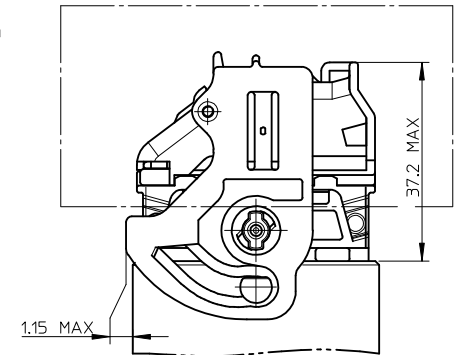
**LOCKED CONNECTOR - OVERALL DIMENSIONS**



**UNLOCKED CONNECTOR - OVERALL DIMENSIONS**



**LOCKED CONNECTOR - OVERALL DIMENSIONS**



NOTE:  
1- T2 = 32 WAY / T3 = 48 WAY

**LEGEND:**



FREE VOLUME FOR MANUAL LOCKING AND UNLOCKING  
DIMENSIONS GIVEN FOR INFORMATION ONLY TO BE  
CONFIRMED BASED UPON VEHICLE CONFIGURATION.

REV	DESCRIPTION
ENTER DESCRIPTION	
EC NO: G2010-0220	
DRW: NPDECHELE 2010/05/20	
CHK: J. GIURIATO 2008/10/03	
APPR: EBOUCHAN 2010/06/29	

**GENERAL TOLERANCES (UNLESS SPECIFIED)**

	mm	INCH
4 PLACES	± 0.10	± 0.004
3 PLACES	± 0.15	± 0.005
2 PLACES	± 0.20	± 0.008
1 PLACE	± 0.30	± 0.012
ANGULAR ± 2 °		

DRAFT WHERE APPLICABLE  
MUST REMAIN  
WITHIN DIMENSIONS

**DIMENSION STYLE**

MM ONLY	DATE
DRAWN BY	G. DESBRUERES 2008/10/02
CHECKED BY	J. GIURIATO 2008/10/03
APPROVED BY	O. PLESSIS 2008/10/06
MATERIAL NO.	N/A

**SCALE** 1:1 **DESIGN UNITS** METRIC **FIRST ANGLE PROJECTION**

<b>TITLE</b>	
INTERFACES FOR CONNECTOR 32 & 48 CKT CMC GENERIC SALES DRAWING	
MOLEX INCORPORATED	
DOCUMENT NO.	SD-98644-006
SHEET NO.	3 OF 3

THIS DRAWING CONTAINS INFORMATION THAT IS PROPRIETARY TO MOLEX  
INCORPORATED AND SHOULD NOT BE USED WITHOUT WRITTEN PERMISSION