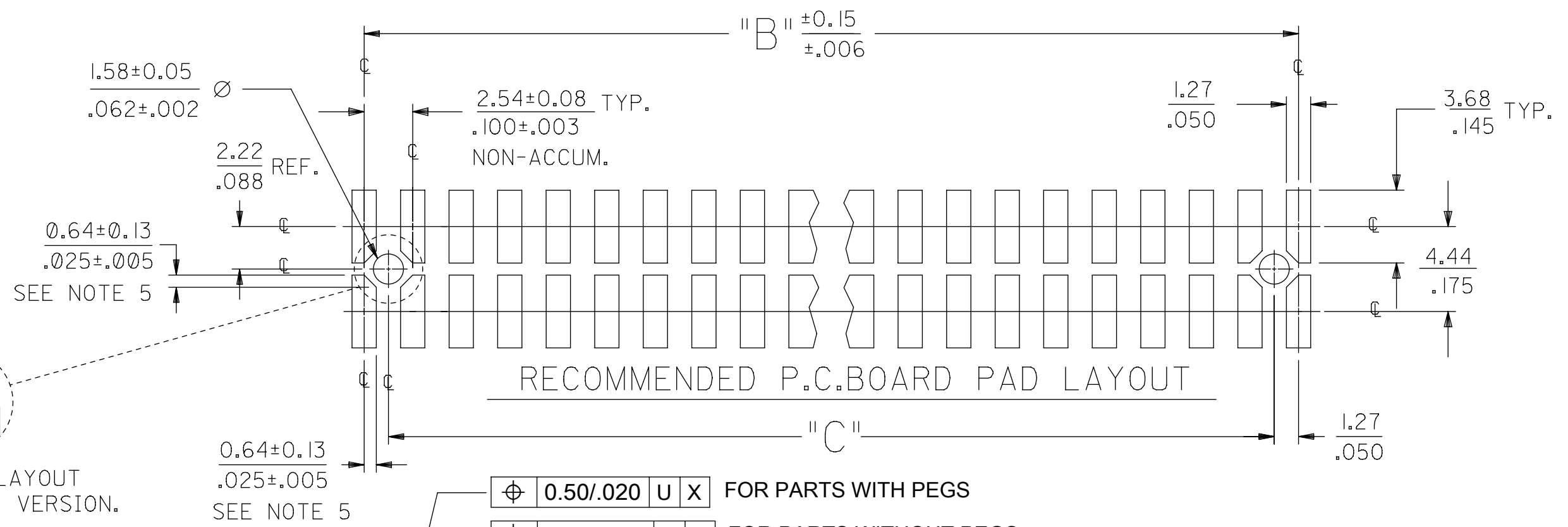
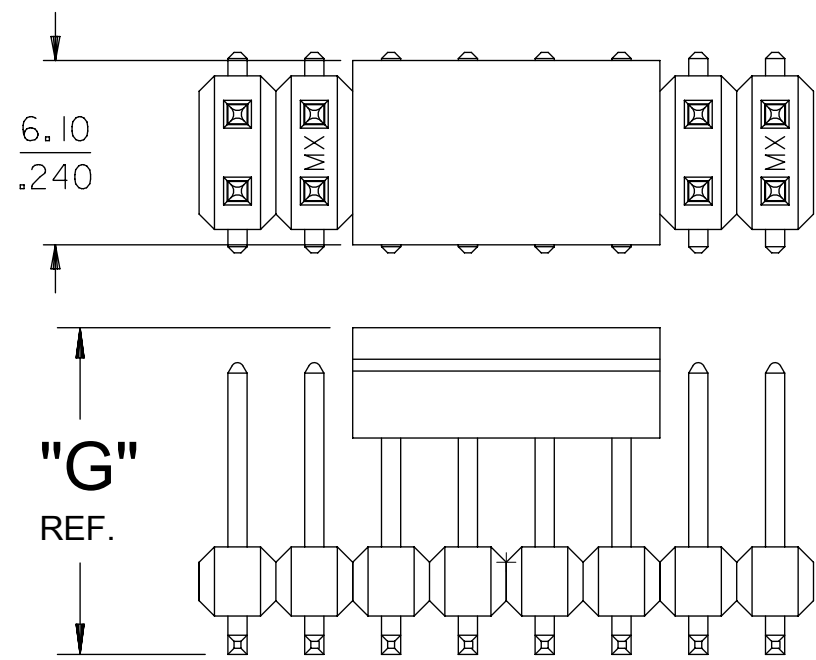


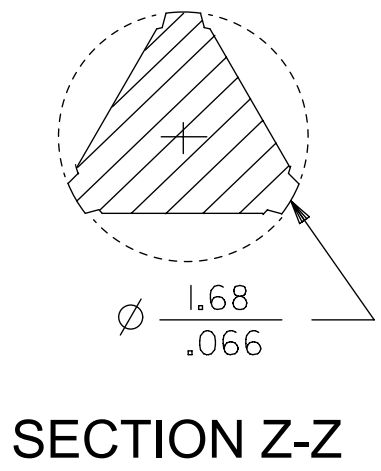
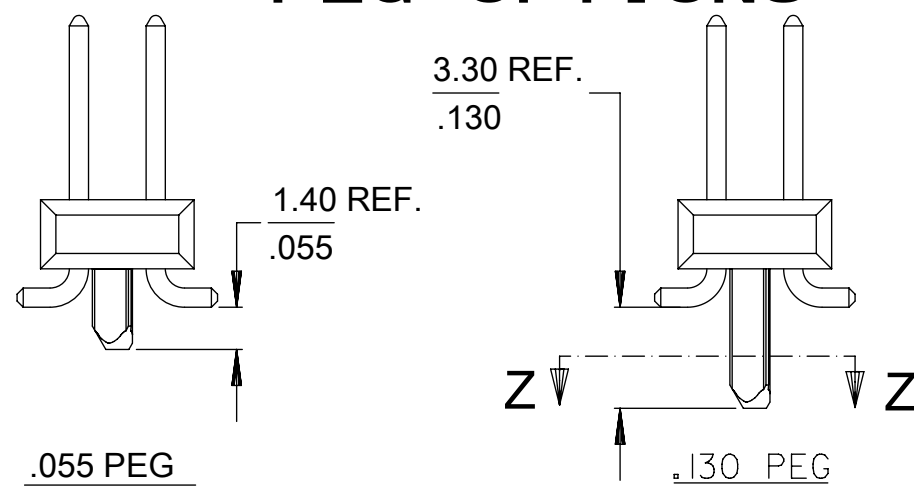
**OPTIONAL
PICK AND PLACE CAP**
SEE NOTES 4 & 9.

DIM. "M"	DIM. "G"
$\frac{6.10}{.240}$	$\frac{10.67}{.420}$
$\frac{8.13}{.320}$	$\frac{12.70}{.500}$



P.C. BOARD PAD LAYOUT AT ENDS FOR NO PEG VERSION.

PEG OPTIONS

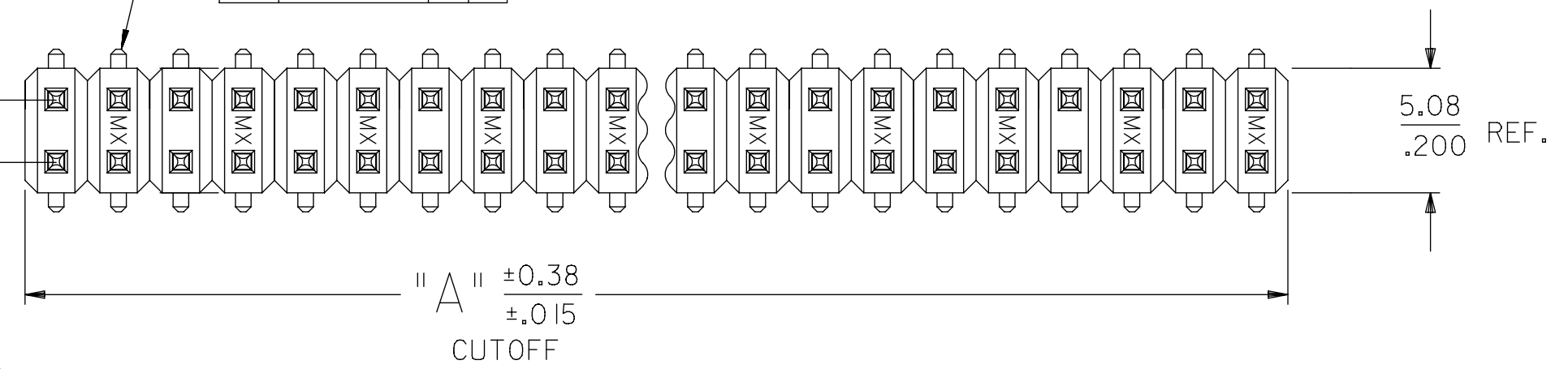


NOTES:

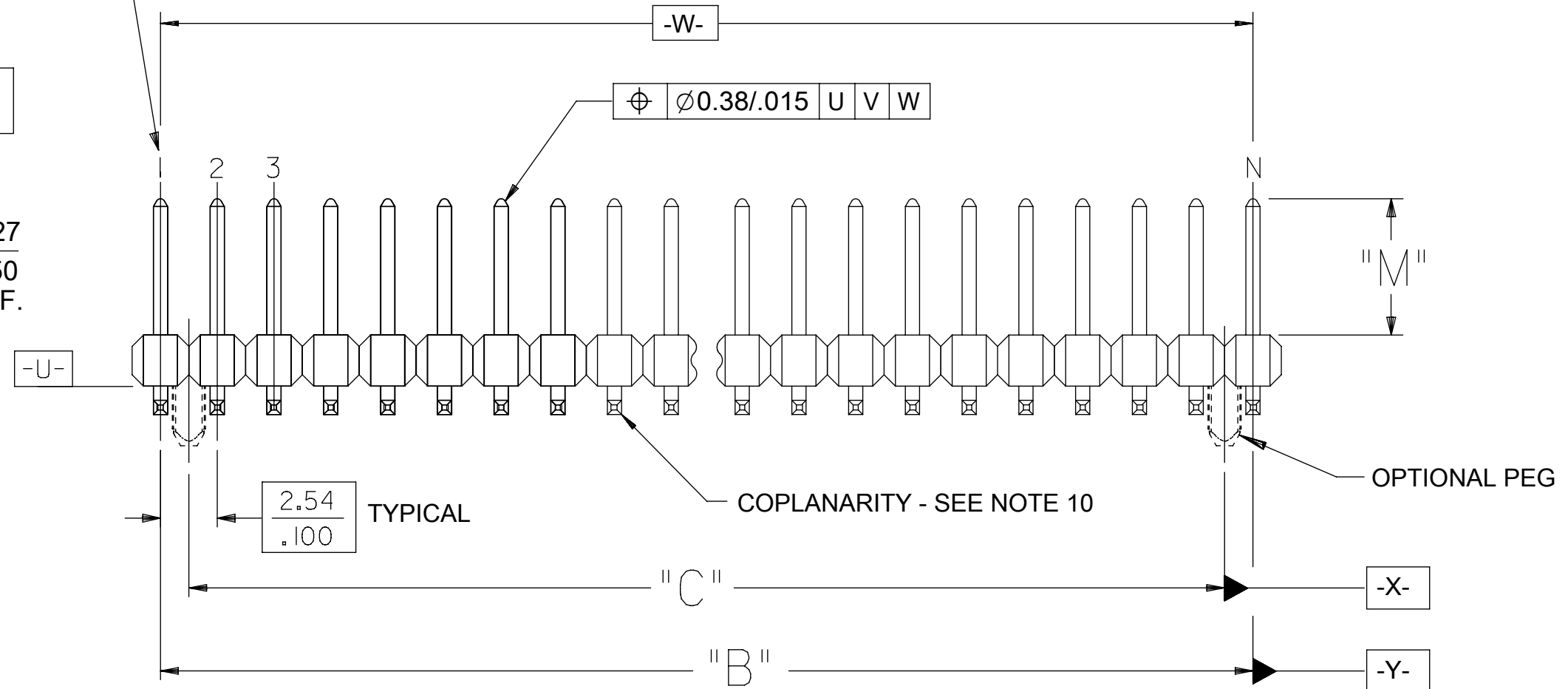
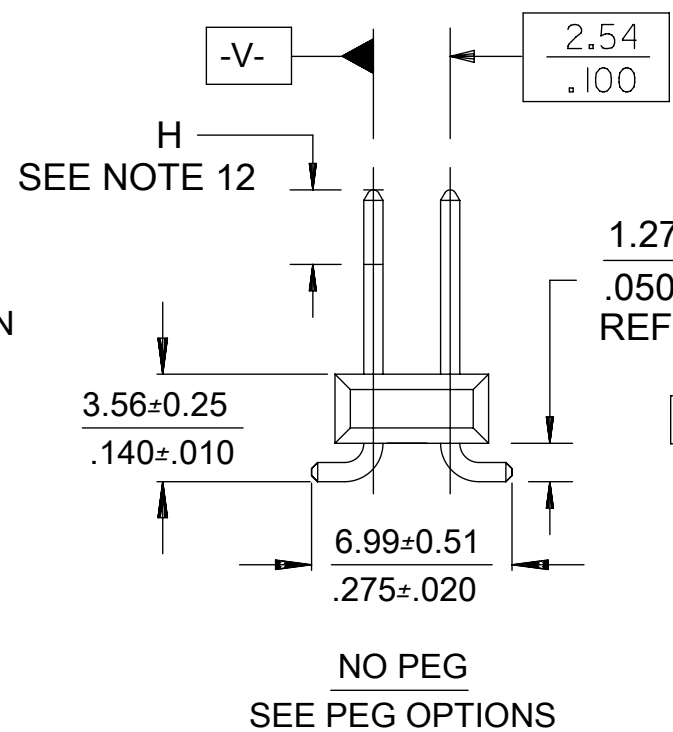
- MATERIALS: INSULATOR: GLASS FILLED LIQUID CRYSTAL POLYMER (LCP). UL94 V-0, COLOR: BLACK
TERMINAL: COPPER ALLOY
- FINISH:
59 TIN - 0.00150/.000059 MIN. BRIGHT TIN OVER NICKEL OVERALL.
150 TIN - 0.00381/.000150 MIN. BRIGHT TIN OVER NICKEL OVERALL.
REFLOWED MATTE TIN - 0.00152/.000060 MIN. REFLOWED MATTE TIN OVER NICKEL OVERALL.
15 GOLD - 0.00038/.000015 MIN. GOLD IN SELECT AREA OVER 0.00191/.000075 MIN. TIN IN SELECT AREA OVER NICKEL OVERALL.
30 GOLD - 0.00076/.000030 MIN. GOLD IN SELECT AREA OVER 0.00191/.000075 MIN. TIN IN SELECT AREA OVER NICKEL OVERALL.
50 GOLD - 0.00127/.000050 MIN. GOLD IN SELECT AREA OVER 0.00254/.000100 MIN. TIN IN SELECT AREA OVER NICKEL OVERALL.
- PART TO CONFORM TO PS-71308.
- PACKAGING (SEE CHARTS): BULK: PER PK-70873-0353
TUBES: PER PK-70873-0041.
71308-82** IN TUBES: PER PK-70873-042.
TUBES W/ VAC CAPS: PER PK-70873-0691
TAPE AND REEL W/ VAC CAPS: PER PK-70873-0805.
SEE SHEET 3 FOR TAPE & REEL PRODUCT WITH SHALLOW POCKET REQUIREMENTS.
- TYP. DIMENSIONS FOR LANDS SURROUNDING HOLES FOR RETENTION PEGS.
- PIN SOLERABILITY PER MOLEX SPEC. SMES-152.
- SEE SHEETS 2-6 FOR CHARTED DIMS., PART/EDP NO'S, AND VOIDED CIRCUITS.
- PIN PUSHOUT FORCE: 3 LBS. MINIMUM.
- PICK-N-PLACE CAPS WILL BE PLACED SO THAT VACUUM PICK UP AREA WILL BE IN CENTER OF PART.
- COPLANARITY FOR CIRCUIT SIZES UP TO 40 IS 0.15 MM/.006 INCH. FOR CIRCUIT SIZES 42 AND LARGER, CONTACT MOLEX SALES DEPARTMENT.
- THIS PART CONFORMS TO CLASS B REQUIREMENTS OF COSMETIC SPECIFICATION PS-45499-002.
- MEASURE POINT FOR PLATING THICKNESS.

ROW "A"
ROW "B"

Ø 0.50/.020 U X FOR PARTS WITH PEGS
Ø 0.50/.020 U Y FOR PARTS WITHOUT PEGS



USED TO LOCATE VOIDED CIRCUITS




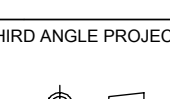
QUALITY SYMBOLS	THIS DRAWING CONTAINS INFORMATION THAT IS PROPRIETARY TO MOLEX ELECTRONIC TECHNOLOGIES, LLC AND SHOULD NOT BE USED WITHOUT WRITTEN PERMISSION				
▽ = 0	ADD 71308-8017, 8416 EC NO: 112218 DRWN: MKIPPER CHKD: JDFOX REV APPR: FSMITH	GENERAL TOLERANCES (UNLESS SPECIFIED)		DIMENSION UNITS	SCALE
▽ = 0		MM	INCH	MM/IN	4:1
▽ = 0		4 PLACES ±	±	KMS	1999/10/15
▽ = 0		3 PLACES ±	± 0.005	CHK'D BY	DATE
▽ = 0		2 PLACES ± 0.13	± 0.01	KMS	1999/10/15
▽ = 0		1 PLACES ± 0.25	±	APPR BY	DATE
▽ = 0	0 PLACES ±	±	KMS	1999/10/15	
▽ = 0		ANGULAR TOL ±	DRAWING SIZE	THIRD ANGLE PROJECTION	
▽ = 0		DRAFT WHERE APPLICABLE MUST REMAIN WITHIN DIMENSIONS	C		
□ = 0					
▽ = 0					

molex		
SALES ASSY INSULATOR DUAL ROW SMT W/BREAK-OFF .025SQ PIN GULLWING .100		
PRODUCT CUSTOMER DRAWING		
SERIES	MATERIAL NUMBER	CUSTOMER
71308	SEE CHART	GENERAL MARKET
DOCUMENT NUMBER	DOC TYPE	DOC PART SHEET NUMBER
SD-71308-001	PSD	000 1 OF 6

RELEASE STATUS	RELEASE DATE

					IN TAPE AND REEL WITH SHALLOW POCKET TAPE					BULK / IN TUBES				
PACKAGING SEE NOTE 4, SHT 1					4-8 CKT	TAPE-N-REEL W/ VAC CAPS	TAPE-N-REEL W/ VAC CAPS					BULK	BULK	BULK
					10-100 CKT	TAPE-N-REEL W/ VAC CAPS	TAPE-N-REEL W/ VAC CAPS					TUBES	TUBES	TUBES
DIM. M±0.25 MM						6.10 (.240)	6.10 (.240)					8.13 (.320)	8.13 (.320)	13.59 (.535)
PLATING						30 GOLD	15 GOLD					150 TIN	REFLOWED MATTE TIN	150 TIN
DIM. H						2.54 (.100)	2.54 (.100)					4.57 (.180)	4.57 (.180)	4.57 (.180)
CKTS	DIM. A		DIM. B		EDP NUMBER	EDP NUMBER					EDP NUMBER	EDP NUMBER	EDP NUMBER	CKTS
	MM	IN	MM	IN										
04	5.08	.200	2.54	.100										04
06	7.62	.300	5.08	.200		015-91-6068								06
08	10.16	.400	7.62	.300		015-91-6088								08
10	12.70	.500	10.16	.400		015-91-6108					71308-8010		71308-8210	10
12	15.24	.600	12.70	.500										12
14	17.78	.700	15.24	.600	015-91-6148									14
16	20.32	.800	17.78	.700							71308-8016		71308-8017	16
18	22.86	.900	20.32	.800										18
20	25.40	1.000	22.86	.900										20
22	27.94	1.100	25.40	1.000										22
24	30.48	1.200	27.94	1.100										24
26	33.02	1.300	30.48	1.200										26
28	35.56	1.400	33.02	1.300										28
30	38.10	1.500	35.56	1.400										30
32	40.64	1.600	38.10	1.500										32
34	43.18	1.700	40.64	1.600										34
36	45.72	1.800	43.18	1.700										36
38	48.26	1.900	45.72	1.800										38
40	50.80	2.000	48.26	1.900										40
42	53.34	2.100	50.80	2.000										42
44	55.88	2.200	53.34	2.100										44
46	58.42	2.300	55.88	2.200										46
48	60.96	2.400	58.42	2.300										48
50	63.50	2.500	60.96	2.400										50
52	66.04	2.600	63.50	2.500										52
54	68.58	2.700	66.04	2.600										54
56	71.12	2.800	68.58	2.700										56
58	73.66	2.900	71.12	2.800										58
60	76.20	3.000	73.66	2.900										60
62	78.74	3.100	76.20	3.000										62
64	81.28	3.200	78.74	3.100										64
66	83.82	3.300	81.28	3.200										66
68	86.36	3.400	83.82	3.300										68
70	88.90	3.500	86.36	3.400										70
72	91.44	3.600	88.90	3.500										72
74	93.98	3.700	91.44	3.600										74
76	96.52	3.800	93.98	3.700										76
78	99.06	3.900	96.52	3.800										78
80	101.60	4.000	99.06	3.900										80
82	104.14	4.100	101.60	4.000										82
84	106.68	4.200	104.14	4.100										84
86	109.22	4.300	106.68	4.200										86
88	111.76	4.400	109.22	4.300										88
90	114.30	4.500	111.76	4.400										90
92	116.84	4.600	114.30	4.500										92
94	119.38	4.700	116.84	4.600										94
96	121.92	4.800	119.38	4.700										96
98	124.46	4.900	121.92	4.800										98
100	127.00	5.000	124.46	4.900										100

NO PEG VERSION
(ALSO SEE SHEET 2)

THIS DRAWING CONTAINS INFORMATION THAT IS PROPRIETARY TO MOLEX ELECTRONIC TECHNOLOGIES, LLC AND SHOULD NOT BE USED WITHOUT WRITTEN PERMISSION									
QUALITY SYMBOLS	2016/09/02	GENERAL TOLERANCES (UNLESS SPECIFIED)		DIMENSION UNITS	SCALE				
▽ = 0	2017/01/17	MM	INCH	MM/IN	NTS				
▽ = 0	2017/01/20	4 PLACES ±	±	DRWN BY	DATE	SALES ASSY INSULATOR DUAL ROW SMT W/BREAK-OFF .025SQ PIN GULLWING .100			
▽ = 0		3 PLACES ±	± 0.005	KMS	1999/10/15				
▽ = 0		2 PLACES ±	± 0.13 ± 0.01	CHK'D BY	DATE	PRODUCT CUSTOMER DRAWING			
▽ = 0		1 PLACES ±	± 0.25 ±	KMS	1999/10/15				
▽ = 0		0 PLACES ±	±	APPR BY	DATE	SERIES: 71308 MATERIAL NUMBER: SEE CHART CUSTOMER: GENERAL MARKET			
▽ = 0		ANGULAR TOL =		KMS	1999/10/15				
▽ = 0		DRAFT WHERE APPLICABLE MUST REMAIN WITHIN DIMENSIONS		DRAWING SIZE	THIRD ANGLE PROJECTION	DOCUMENT NUMBER: SD-71308-001 DOC TYPE: PSD DOC PART: 000 SHEET NUMBER: 3 OF 6			
▽ = 0				C					

		12		11		10		9		8		7		6		5		4		3		2		1			
				PACKAGING SEE NOTE 4 SHT 1		4-8 CKT		BULK		TAPE-N-REEL W/ VAC CAPS		BULK		TAPE-N-REEL W/ VAC CAPS		BULK		TAPE-N-REEL W/ VAC CAPS		BULK		BULK		BULK			
						10-100 CKT		TUBES		TAPE-N-REEL W/ VAC CAPS		TUBES		TAPE-N-REEL W/ VAC CAPS		TUBES		TAPE-N-REEL W/ VAC CAPS		TUBES		TUBES		TUBES			
				DIM. M±0.25 MM		6.10 (.240)		6.10 (.240)		6.10 (.240)		6.10 (.240)		8.13 (.320)		8.13 (.320)		8.13 (.320)									
				PLATING		150 TIN		15 GOLD		30 GOLD		150 TIN		15 GOLD		30 GOLD											
				DIM. H		2.54 (.100)		2.54 (.100)		2.54 (.100)		2.54 (.100)		4.57 (.180)		4.57 (.180)		4.57 (.180)									
		DIM. A		DIM. B		DIM. C		EDP NUMBER		EDP NUMBER		EDP NUMBER		EDP NUMBER		EDP NUMBER		EDP NUMBER		EDP NUMBER		EDP NUMBER		EDP NUMBER		CKTS	
		MM		IN		MM		IN		MM		IN		MM		IN		MM		IN		MM		IN		MM	
04	5.08	.200	2.54	.100	----	----	015-91-1041	015-91-6044	015-91-1042	015-91-6045	015-91-1043	015-91-6046	015-91-1044	015-91-0047	015-91-1040										04		
06	7.62	.300	5.08	.200	2.54	.100	015-91-1061	015-91-6064	015-91-1062	015-91-6065	015-91-1063	015-91-6066	015-91-1064	015-91-0067	015-91-1060											06	
08	10.16	.400	7.62	.300	5.08	.200	015-91-1081	015-91-6084	015-91-1082	015-91-6085	015-91-1083	015-91-6086	015-91-1084	015-91-0087	015-91-1080											08	
10	12.70	.500	10.16	.400	7.62	.300	015-91-1101	015-91-6104	015-91-1102	015-91-6105	015-91-1103	015-91-6106	015-91-1104	015-91-0107	015-91-1100											10	
12	15.24	.600	12.70	.500	10.16	.400	015-91-1121		015-91-1122		015-91-1123		015-91-1124	015-91-0127	015-91-1120											12	
14	17.78	.700	15.24	.600	12.70	.500	015-91-1141	015-91-6144	015-91-1142	015-91-6145	015-91-1143	015-91-6146	015-91-1144	015-91-0147	015-91-1140											14	
16	20.32	.800	17.78	.700	15.24	.600	015-91-1161	015-91-6164	015-91-1162	015-91-6165	015-91-1163	015-91-6166	015-91-1164	015-91-0167	015-91-1160											16	
18	22.86	.900	20.32	.800	17.78	.700	015-91-1181		015-91-1182		015-91-1183		015-91-1184	015-91-0187	015-91-1180											18	
20	25.40	1.000	22.86	.900	20.32	.800	015-91-1201		015-91-1202		015-91-1203		015-91-1204	015-91-0207	015-91-1200											20	
22	27.94	1.100	25.40	1.000	22.86	.900	015-91-1221		015-91-1222		015-91-1223		015-91-1224	015-91-0227	015-91-1220											22	
24	30.48	1.200	27.94	1.100	25.40	1.000	015-91-1241	71308-6901	015-91-1242		015-91-1243		015-91-1244	015-91-0247	015-91-1240											24	
26	33.02	1.300	30.48	1.200	27.94	1.100	015-91-1261		015-91-1262		015-91-1263		015-91-1264	015-91-0267	015-91-1260											26	
28	35.56	1.400	33.02	1.300	30.48	1.200	015-91-1281		015-91-1282		015-91-1283		015-91-1284	015-91-0287	015-91-1280											28	
30	38.10	1.500	35.56	1.400	33.02	1.300	015-91-1301		015-91-1302		015-91-1303		015-91-1304	015-91-0307	015-91-1300											30	
32	40.64	1.600	38.10	1.500	35.56	1.400	015-91-1321		015-91-1322		015-91-1323		015-91-1324	015-91-0327	015-91-1320											32	
34	43.18	1.700	40.64	1.600	38.10	1.500	015-91-1341		015-91-1342		015-91-1343		015-91-1344	015-91-0347	015-91-1340											34	
36	45.72	1.800	43.18	1.700	40.64	1.600	015-91-1361		015-91-1362		015-91-1363		015-91-1364	015-91-0367	015-91-1360											36	
38	48.26	1.900	45.72	1.800	43.18	1.700	015-91-1381		015-91-1382		015-91-1383		015-91-1384	015-91-0387	015-91-1380											38	
40	50.80	2.000	48.26	1.900	45.72	1.800	015-91-1401		015-91-1402		015-91-1403		015-91-1404	015-91-0407	015-91-1400											40	
42	53.34	2.100	50.80	2.000	48.26	1.900	015-91-1421		015-91-1422		015-91-1423		015-91-1424	015-91-0427	015-91-1420											42	
44	55.88	2.200	53.34	2.100	50.80	2.000	015-91-1441		015-91-1442		015-91-1443		015-91-1444	015-91-0447	015-91-1440											44	
46	58.42	2.300	55.88	2.200	53.34	2.100	015-91-1461		015-91-1462		015-91-1463		015-91-1464	015-91-0467	015-91-1460											46	
48	60.96	2.400	58.42	2.300	55.88	2.200	015-91-1481		015-91-1482		015-91-1483		015-91-1484	015-91-0487	015-91-1480											48	
50	63.50	2.500	60.96	2.400	58.42	2.300	015-91-1501	015-91-6504	015-91-1502	015-91-6505	015-91-1503	015-91-6506	015-91-1504	015-91-0507	015-91-1500											50	
52	66.04	2.600	63.50	2.500	60.96	2.400	015-91-1521		015-91-1522		015-91-1523	71308-5203	015-91-1524	015-91-0527	015-91-1520											52	
54	68.58	2.700	66.04	2.600	63.50	2.500	015-91-1541		015-91-1542		015-91-1543		015-91-1544	015-91-0547	015-91-1540											54	
56	71.12	2.800	68.58	2.700	66.04	2.600	015-91-1561		015-91-1562		015-91-1563		015-91-1564	015-91-0567	015-91-1560											56	
58	73.66	2.900	71.12	2.800	68.58	2.700	015-91-1581		015-91-1582		015-91-1583		015-91-1584	015-91-0587	015-91-1580											58	
60	76.20	3.000	73.66	2.900	71.12	2.800	015-91-1601		015-91-1602		015-91-1603		015-91-1604	015-91-0607	015-91-1600											60	
62	78.74	3.100	76.20	3.000	73.66	2.900	015-91-1621		015-91-1622		015-91-1623		015-91-1624	015-91-0627	015-91-1620											62	
64	81.28	3.200	78.74	3.100	76.20	3.000	015-91-1641		015-91-1642		015-91-1643		015-91-1644	015-91-0647	015-91-1640											64	
66	83.82	3.300	81.28	3.200	78.74	3.100	015-91-1661		015-91-1662		015-91-1663		015-91-1664	015-91-0667	015-91-1660											66	
68	86.36	3.400	83.82	3.300	81.28	3.200	015-91-1681		015-91-1682		015-91-1683		015-91-1684	015-91-0687	015-91-1680											68	
70	88.90	3.500	86.36	3.400	83.82	3.300	015-91-1701		015-91-1702		015-91-1703		015-91-1704	015-91-0707	015-91-1700											70	
72	91.44	3.600	88.90	3.500	86.36	3.400	015-91-1721		015-91-1722		015-91-1723		015-91-1724	015-91-0727	015-91-1720											72	
74	93.98	3.700	91.44	3.600	88.90	3.500	015-91-1741		015-91-1742		015-91-1743		015-91-1744	015-91-0747	015-91-1740											74	
76	96.52	3.800	93.98	3.700	91.44	3.600	015-91-1761		015-91-1762		015-91-1763		015-91-1764	015-91-0767	015-91-1760											76	
78	99.06	3.900	96.52	3.800	93.98	3.700	015-91-1781		015-91-1782		015-91-1783		015-91-1784	015-91-0787	015-91-1780											78	
80	101.60	4.000	99.06	3.900	96.52	3.800	015-91-1801		015-91-1802		015-91-1803		015-91-1804	015-91-0807	015-91-1800											80	
82	104.14	4.100	101.60	4.000	99.06	3.900	71308-4082		71308-4182		71308-4282		71308-5082	71308-5182	71308-5282											82	
84	106.68	4.200	104.14	4.100	101.60	4.000	71308-4084		71308-4184		71308-4284		71308-5084	71308-5184	71308-5284											84	
86	109.22	4.300	106.68	4.200	104.14	4.100	71308-4086		71308-4186		71308-4286		71308-5086	71308-5186	71308-5286											86	
88	111.76	4.400	109.22	4.300	106.68	4.200	71308-4088		71308-4188		71308-4288		71308-5088	71308-5188	71308-5288											88	
90	114.30	4.500	111.76	4.400	109.22	4.300	71308-4090		71308-4190		71308-4290		71308-5090	71308-5190	71308-5290											90	
92	116.84	4.600	114.30	4.500	111.76	4.400	71308-4092		71308-4192		71308-4292		71308-5092	71308-5192	71308-5292											92	
94	119.38	4.700	116.84	4.600	114.30	4.500	71308-4094		71308-4194		71308-4294		71308-5094	71308-5194	71308-5294											94	
96	121.92	4.800	119.38	4.700	116.84	4.600	71308-4096		71308-4196		71308-4296		71308-5096	71308-5196	71308-5296											96	
98	124.46	4.900	121.92</																								

H	12		11		10		9		8		7		6		5		4		3		2		1	
	PACKAGING SEE NOTE 4 SHT 1				4-8 CKT		BULK		TAPE-N-REEL W/ VAC CAPS		BULK		TAPE-N-REEL W/ VAC CAPS		TAPE-N-REEL W/ VAC CAPS									
					10-100 CKT		TUBES		TAPE-N-REEL W/ VAC CAPS		TUBES		TAPE-N-REEL W/ VAC CAPS		TAPE-N-REEL W/ VAC CAPS									
	DIM. M±0.25 MM				6.10 (.240)		6.10 (.240)		8.13 (.320)															
PLATING				30 GOLD		150 TIN		REFLOWED MATTE TIN																
DIM. H				2.54 (.100)		2.54 (.100)		4.57 (.180)																
CKTS	DIM. A		DIM. B		DIM. C		EDP NUMBER	EDP NUMBER	EDP NUMBER	EDP NUMBER	EDP NUMBER	EDP NUMBER	EDP NUMBER	EDP NUMBER	EDP NUMBER	EDP NUMBER	EDP NUMBER	EDP NUMBER	EDP NUMBER	EDP NUMBER	EDP NUMBER	EDP NUMBER	CKTS	
	MM	IN	MM	IN	MM	IN																		
04	5.08	.200	2.54	.100	----	----	015-91-1048	015-91-6047	71308-6104	71308-6204													04	
06	7.62	.300	5.08	.200	2.54	.100	015-91-1068	015-91-6067	71308-6106	71308-6206													06	
08	10.16	.400	7.62	.300	5.08	.200	015-91-1088	015-91-6087	71308-6108	71308-6208													08	
10	12.70	.500	10.16	.400	7.62	.300	015-91-1108	015-91-6107	71308-6110	71308-6210													10	
12	15.24	.600	12.70	.500	10.16	.400	015-91-1128		71308-6112	71308-6212													12	
14	17.78	.700	15.24	.600	12.70	.500	015-91-1148	015-91-6147	71308-6114	71308-6214													14	
16	20.32	.800	17.78	.700	15.24	.600	015-91-1168	015-91-6167	71308-6116	71308-6216	71308-8416												16	
18	22.86	.900	20.32	.800	17.78	.700	015-91-1188		71308-6118	71308-6218													18	
20	25.40	1.000	22.86	.900	20.32	.800	015-91-1208	015-91-6207	71308-6120	71308-6220													20	
22	27.94	1.100	25.40	1.000	22.86	.900	015-91-1228		71308-6122	71308-6222													22	
24	30.48	1.200	27.94	1.100	25.40	1.000	015-91-1248		71308-6124	71308-6224													24	
26	33.02	1.300	30.48	1.200	27.94	1.100	015-91-1268		71308-6126	71308-6226	71308-8426												26	
28	35.56	1.400	33.02	1.300	30.48	1.200	015-91-1288		71308-6128	71308-6228													28	
30	38.10	1.500	35.56	1.400	33.02	1.300	015-91-1308		71308-6130	71308-6230													30	
32	40.64	1.600	38.10	1.500	35.56	1.400	015-91-1328		71308-6132	71308-6232													32	
34	43.18	1.700	40.64	1.600	38.10	1.500	015-91-1348		71308-6134	71308-6234													34	
36	45.72	1.800	43.18	1.700	40.64	1.600	015-91-1368		71308-6136	71308-6236													36	
38	48.26	1.900	45.72	1.800	43.18	1.700	015-91-1388		71308-6138	71308-6238													38	
40	50.80	2.000	48.26	1.900	45.72	1.800	015-91-1408	15-91-6407	71308-6140	71308-6240													40	
42	53.34	2.100	50.80	2.000	48.26	1.900	015-91-1428		71308-6142	71308-6242													42	
44	55.88	2.200	53.34	2.100	50.80	2.000	015-91-1448		71308-6144	71308-6244													44	
46	58.42	2.300	55.88	2.200	53.34	2.100	015-91-1468		71308-6146	71308-6246													46	
48	60.96	2.400	58.42	2.300	55.88	2.200	015-91-1488		71308-6148	71308-6248													48	
50	63.50	2.500	60.96	2.400	58.42	2.300	015-91-1508	015-91-6507	71308-6150	71308-6250													50	
52	66.04	2.600	63.50	2.500	60.96	2.400	015-91-1528		71308-6152	71308-6252													52	
54	68.58	2.700	66.04	2.600	63.50	2.500	015-91-1548		71308-6154	71308-6254													54	
56	71.12	2.800	68.58	2.700	66.04	2.600	015-91-1568		71308-6156	71308-6256													56	
58	73.66	2.900	71.12	2.800	68.58	2.700	015-91-1588		71308-6158	71308-6258													58	
60	76.20	3.000	73.66	2.900	71.12	2.800	015-91-1608		71308-6160	71308-6260													60	
62	78.74	3.100	76.20	3.000	73.66	2.900	015-91-1628		71308-6162	71308-6262													62	
64	81.28	3.200	78.74	3.100	76.20	3.000	015-91-1648		71308-6164	71308-6264													64	
66	83.82	3.300	81.28	3.200	78.74	3.100	015-91-1668		71308-6166	71308-6266													66	
68	86.36	3.400	83.82	3.300	81.28	3.200	015-91-1688		71308-6168	71308-6268													68	
70	88.90	3.500	86.36	3.400	83.82	3.300	015-91-1708		71308-6170	71308-6270													70	
72	91.44	3.600	88.90	3.500	86.36	3.400	015-91-1728		71308-6172	71308-6272													72	
74	93.98	3.700	91.44	3.600	88.90	3.500	015-91-1748		71308-6174	71308-6274													74	
76	96.52	3.800	93.98	3.700	91.44	3.600	015-91-1768		71308-6176	71308-6276													76	
78	99.06	3.900	96.52	3.800	93.98	3.700	015-91-1788		71308-6178	71308-6278													78	
80	101.60	4.000	99.06	3.900	96.52	3.800	015-91-1808		71308-6180	71308-6280													80	
82	104.14	4.100	101.60	4.000	99.06	3.900	71308-6082																82	
84	106.68	4.200	104.14	4.100	101.60	4.000	71308-6084																84	
86	109.22	4.300	106.68	4.200	104.14	4.100	71308-6086																86	
88	111.76	4.400	109.22	4.300	106.68	4.200	71308-6088																88	
90	114.30	4.500	111.76	4.400	109.22	4.300	71308-6090																90	
92	116.84	4.600	114.30	4.500	111.76	4.400	71308-6092																92	
94	119.38	4.700	116.84	4.600	114.30	4.500	71308-6094																94	
96	121.92	4.800	119.38	4.700	116.84	4.600	71308-6096																96	
98	124.46	4.900	121.92	4.800	119.38	4.700	71308-6098																98	
100	127.00	5.000	124.46	4.900	121.92	4.800	71308-6100																100	

SHORT PEG VERSION (.055")

QUALITY SYMBOLS 	THIS DRAWING CONTAINS INFORMATION THAT IS PROPRIETARY TO MOLEX ELECTRONIC TECHNOLOGIES, LLC AND SHOULD NOT BE USED WITHOUT WRITTEN PERMISSION																															
	2016/08/02 2017/01/17 2017/01/20 ADD 71308-8017, 8416 EC NO: 112218 DRWN: MKIPPER CHKD: JDFOX REV APPR: FSMITH	GENERAL TOLERANCES (UNLESS SPECIFIED) <table border="1"> <tr><th>PLACES</th><th>MM</th><th>INCH</th></tr> <tr><td>4 PLACES</td><td>±</td><td>±</td></tr> <tr><td>3 PLACES</td><td>±</td><td>± 0.005</td></tr> <tr><td>2 PLACES</td><td>± 0.13</td><td>± 0.01</td></tr> <tr><td>1 PLACES</td><td>± 0.25</td><td>±</td></tr> <tr><td>0 PLACES</td><td>±</td><td>±</td></tr> </table>		PLACES	MM	INCH	4 PLACES	±	±	3 PLACES	±	± 0.005	2 PLACES	± 0.13	± 0.01	1 PLACES	± 0.25	±	0 PLACES	±	±	DIMENSION UNITS MM/IN SCALE NTS		DRWN BY KMS DATE 1999/10/15		CHK'D BY KMS DATE 1999/10/15		APPR BY KMS DATE 1999/10/15		DRAWING SIZE C THIRD ANGLE PROJECTION 		
PLACES	MM	INCH																														
4 PLACES	±	±																														
3 PLACES	±	± 0.005																														
2 PLACES	± 0.13	± 0.01																														
1 PLACES	± 0.25	±																														
0 PLACES	±	±																														
SALES ASSY INSULATOR DUAL ROW SMT W/BREAK-OFF .025SQ PIN GULLWING .100						PRODUCT CUSTOMER DRAWING						SERIES: 71308 MATERIAL NUMBER: SEE CHART CUSTOMER: GENERAL MARKET																				
RELEASE STATUS K9		RELEASE DATE		DOCUMENT NUMBER SD-71308-001		DOC TYPE PSD		DOC PART 000		SHEET NUMBER 5 OF 6																						

