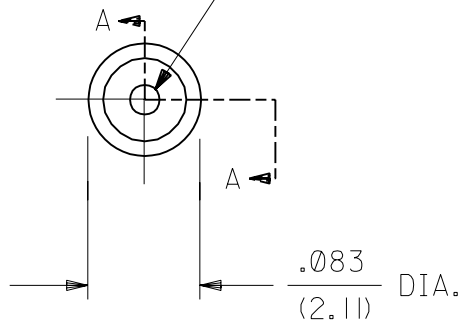
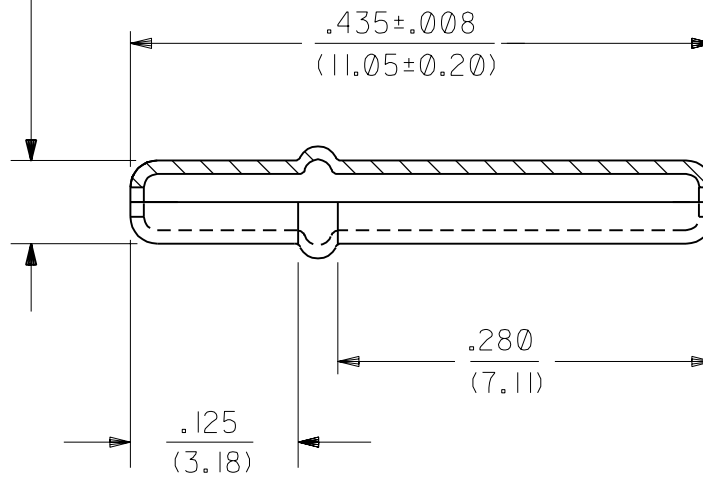


$\frac{.022}{(0.56)}$ DIA. (2PL)



$\frac{.062 \pm .002}{(1.57 \pm 0.05)}$ DIA. (TYP.)



SECTION A-A

NOTES:

1. MATERIAL: CARTRIDGE BRASS, ALLOY #C26000.
2. FINISH: .000200/(0.00508) MIN. ELECTRO TIN PLATE.

A

FINAL RELEASE
ECN # U10748
4-4-91 RW

MFG.	SH.	REV.	LTR.	REVISIONS
------	-----	------	------	-----------

DIMENSIONS SHOWN (METRIC) INCH

UNLESS OTHERWISE SPECIFIED
TOLERANCES: ANGULAR $\pm 1/2^\circ$

	INCH	METRIC
3 PLACE	$\pm .005$	---
2 PLACE	$\pm .01$	± 0.13
1 PLACE	---	± 0.25

DRAFT WHERE APPLICABLE MUST
REMAIN WITHIN DIMENSIONS

DRWG. BY	RW	CHK'D. BY	RW
APP'D. BY	GWF	SCALE	8: 1

∇ =

\blacktriangledown =

REVISE ONLY ON CAD SYSTEM

TITLE

$\frac{.062}{(1.57)}$ DIA. PIN FOR
P.C. BOARD MOUNTING

MOLEX INCORPORATED

LISLE, ILL. 60532 U.S.A.

SHEET NO.

DATE

1 OF 1

04/05/91

PART NO.

16-06-0038

DRWG. NO.

SDSP-603

FILE NAME
SD603X1
DGN

THIS DRAWING CONTAINS INFORMATION THAT IS PROPRIETARY TO
MOLEX INC. AND SHOULD NOT BE USED WITHOUT WRITTEN PERMISSION.

DIV.
CP

SIZE
A