

PLEASE CHECK WWW.MOLEX.COM FOR LATEST PART INFORMATION

Part Number: [0025021034](#)
Status: **Active**
Overview: C-Grid® Products
Description: 2.54mm Pitch C-Grid Header, Dual Row, Shrouded, with PC Slot and Guide Ear, 34 Circuits, 0.76µm Gold (Au) Selective Plating

Documents:

[3D Model](#) [Product Specification PS-70204-001 \(PDF\)](#)
[Drawing \(PDF\)](#) [RoHS Certificate of Compliance \(PDF\)](#)

Agency Certification

CSA LR19980
 UL E29179

General

Product Family PCB Headers
 Series 70204
 Application Board-to-Board, Signal
 Overview C-Grid® Products
 Product Name C-Grid
 UPC 800753780200

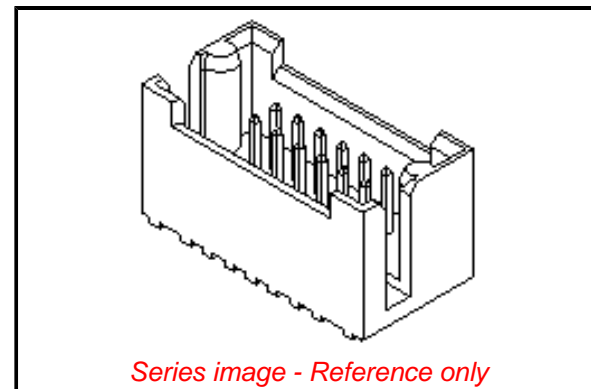
Physical

Breakaway No
 Circuits (Loaded) 34
 Circuits (maximum) 34
 Color - Resin Black
 Durability (mating cycles max) 50
 Flammability 94V-0
 Glow-Wire Compliant No
 Guide to Mating Part Yes
 Lock to Mating Part None
 Material - Metal Brass, Phosphor Bronze
 Material - Plating Mating Gold
 Material - Plating Termination Tin
 Material - Resin Nylon
 Net Weight 6.592/g
 Number of Rows 2
 Orientation Vertical
 PC Tail Length 2.79mm
 PCB Locator No
 PCB Retention None
 Packaging Type Tray
 Pitch - Mating Interface 2.54mm
 Plating min - Mating 0.762µm
 Plating min - Termination 1.905µm
 Polarized to Mating Part Yes
 Polarized to PCB No
 Shrouded Fully
 Stackable No
 Temperature Range - Operating -40°C to +105°C
 Termination Interface: Style Through Hole

Electrical

Current - Maximum per Contact 3.0A
 Voltage - Maximum 250V

Solder Process Data



Series image - Reference only

EU ELV

Not Relevant

EU RoHS

Compliant

REACH SVHC

Not Contained Per -
 ED/30/2017 (7 July
 2017)

Halogen-Free

Status

Not Low-Halogen

**Need more information on product
 environmental compliance?**

Email productcompliance@molex.com
 Please visit the [Contact Us](#) section for any
 non-product compliance questions.

China ROHS Green Image
 ELV Not Relevant
 RoHS Phthalates Not Contained

Search Parts in this Series

70204 Series

Mates With

71973

Duration at Max. Process Temperature (seconds)	005
Lead-freeProcess Capability	WAVE
Max. Cycles at Max. Process Temperature	001
Process Temperature max. C	245

Material Info

Engineering Number	A-70204-0336
--------------------	--------------

Reference - Drawing Numbers

Product Specification	PS-70204-001
Sales Drawing	SDA-70204-0321-0384

This document was generated on 10/18/2017

PLEASE CHECK WWW.MOLEX.COM FOR LATEST PART INFORMATION