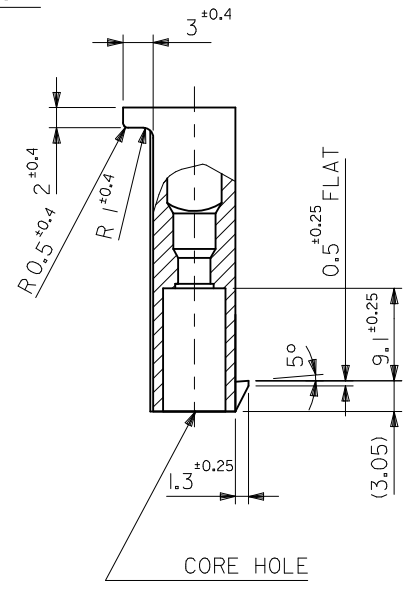
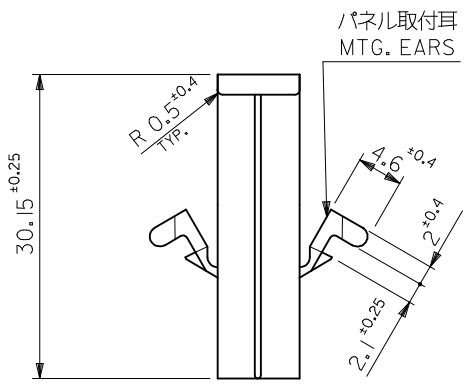
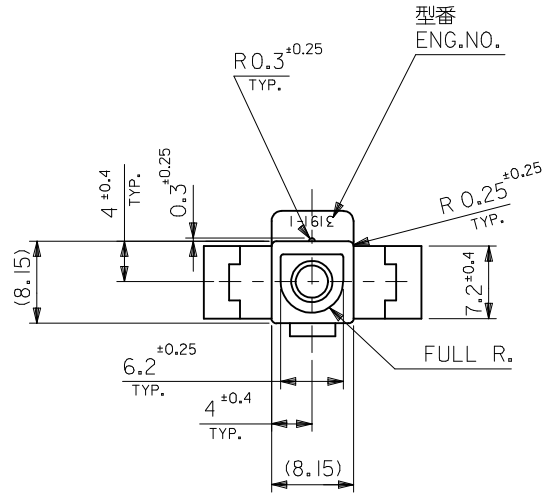


パネル取付穴推奨寸法 (厚さ 2.0 最大)  
ハウジングの装着はパネル穴打抜き方向より行うこと  
RECOMMENDED PANEL HOLE DIMENSION (THK. 2.0 MAX.)  
ATTACH THE HOUSING FROM THE DIRECTION OF  
PANEL HOLE PUNCHED OUT

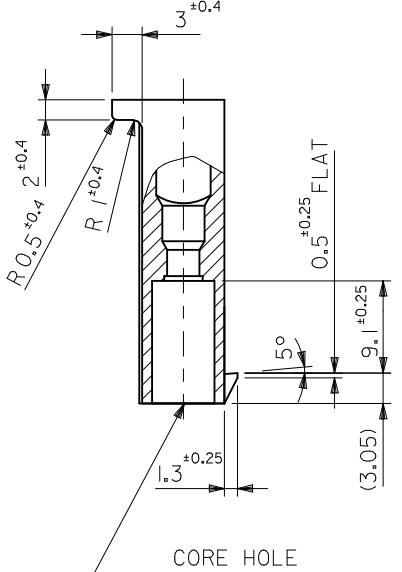
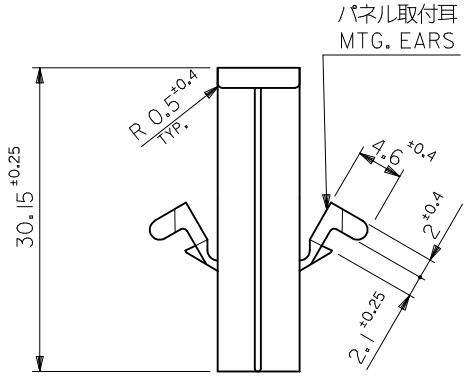
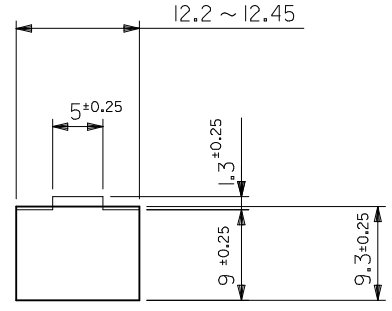
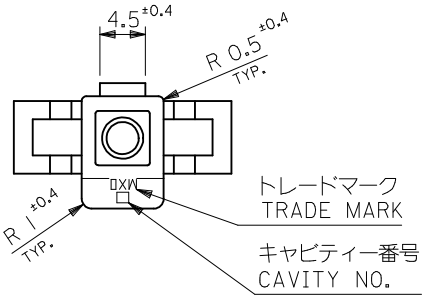


注記  
NOTE  
( ) 内寸法は参考値  
DIMENSIONS IN ( ) ARE REFERENCE



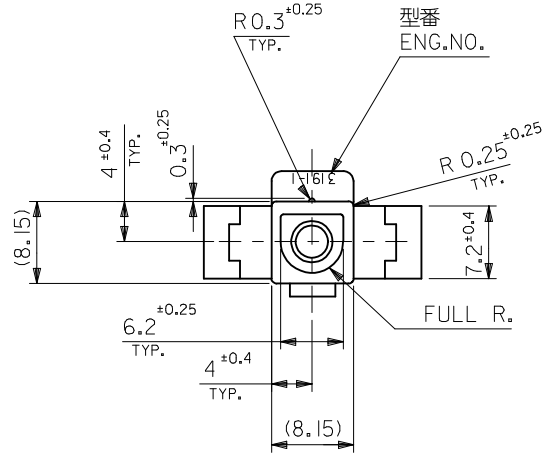
青 BLUE	39-01-8019	3191-01P-BU	NYLON66	94V-2
赤 RED	39-01-9010	3191-01P-RE		
自然色 NATURAL	39-03-6010	3191-01P		
COLOR	POLYBAG PACKAGE	モデル番号 MODEL No.	材質 MATERIAL	UL
	オーダー番号 ORDER NO.			

REVISED EC NO: J2013-0829 DRWN:KASHIO 2013/01/28 CHKD:KASAKAWA 2013/01/31 APPR:Y01TO 2013/04/16	DESCRIPTION REV	GENERAL TOLERANCES (UNLESS SPECIFIED)		DIMENSION STYLE MM ONLY	SCALE 2:1	DESIGN UNITS METRIC	THIRD ANGLE PROJECTION	
		10 UNDER	± ---	DRAWN BY M. NABEI	DATE '07/05/10	TITLE 1 CKT. PLUG HS'G (.093 DIA. TERMINAL)		
		10 OVER 30 UNDER	± ---	CHECKED BY Y. MAEDA	DATE '07/05/10	MATERIAL NO. SEE TABLE		
		30 OVER	± ---	APPROVED BY N. UKITA	DATE '07/05/10	DOCUMENT NO. SD-3191-001		
ANGULAR ± --- ° DRAFT WHERE APPLICABLE MUST REMAIN WITHIN DIMENSIONS		SIZE A3	THIS DRAWING CONTAINS INFORMATION THAT IS PROPRIETARY TO MOLEX INCORPORATED AND SHOULD NOT BE USED WITHOUT WRITTEN PERMISSION					



パネル取付穴推奨寸法(厚さ2.0最大)  
ハウジングの装着はパネル穴打抜き方向より行うこと  
RECOMMENDED PANEL HOLE DIMENSION(THK. 2.0 MAX.)  
ATTACH THE HOUSING FROM THE DIRECTION OF  
PANEL HOLE PUNCHED OUT

注記  
NOTE  
( ) 内寸法は参考値  
DIMENSIONS IN ( ) ARE REFERENCE



39-03-6011	3191-01P-201	NYLON66	94V-0
39-03-6010	3191-01P	NYLON66	94V-2
POLYBAG PACKAGE	モデル番号 MODEL No.	材質 MATERIAL	UL
オーダー番号 ORDER NO.			

REVISED EC NO.: J2013-0829 DRWN: KASHIO 2013/01/31 CHKD: KASAKAWA 2013/01/31 APPR: Y01TO 2013/04/16	GENERAL TOLERANCES (UNLESS SPECIFIED)		DIMENSION STYLE MM ONLY	SCALE 2:1	DESIGN UNITS METRIC	THIRD ANGLE PROJECTION
	10 UNDER	± ---	DRAWN BY H. IJIMA	DATE '96/06/21	TITLE 1CKT. PLUG HS'G (.093 DIA. TERMINAL)	
	10 OVER 30 UNDER	± ---	CHECKED BY M. FUKUSHIMA	DATE '96/06/21		
	30 OVER	± ---	APPROVED BY M. ENOMOTO	DATE '96/06/21		
ANGULAR ± --- °	DRAFT WHERE APPLICABLE MUST REMAIN WITHIN DIMENSIONS	MATERIAL NO. SEE TABLE	DOCUMENT NO. SD-3191-006	SHEET NO. 1 OF 1		
SIZE A3	THIS DRAWING CONTAINS INFORMATION THAT IS PROPRIETARY TO MOLEX INCORPORATED AND SHOULD NOT BE USED WITHOUT WRITTEN PERMISSION					