

10 9 8 7 6 5 4 3 2 1

F

E

D

C

B

A

F

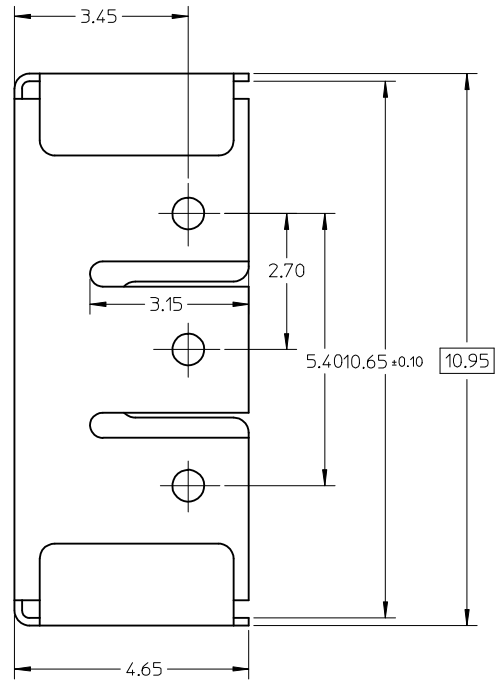
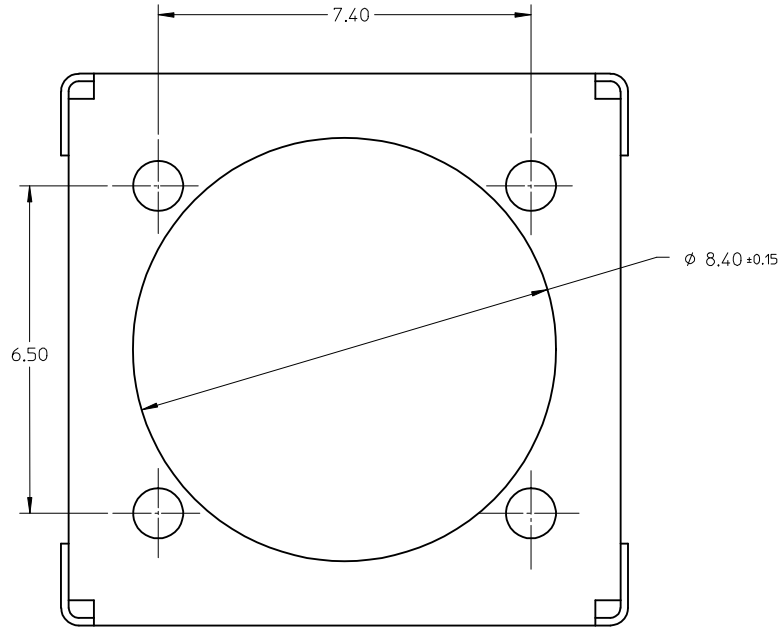
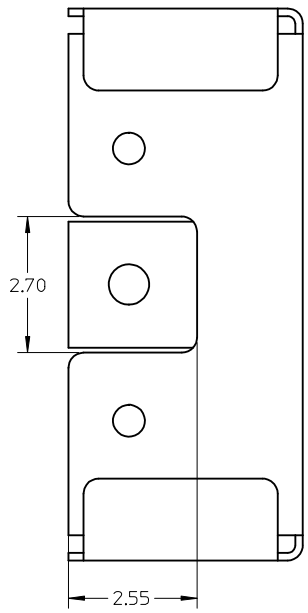
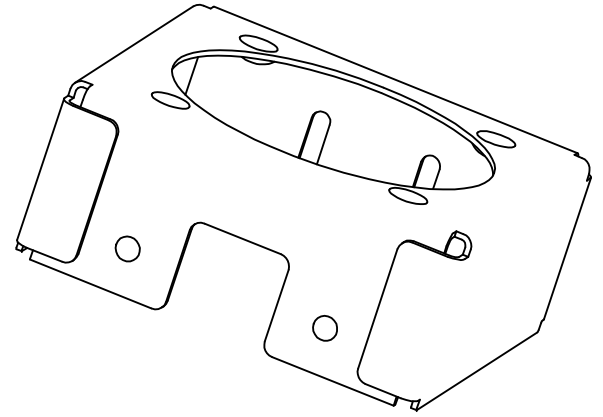
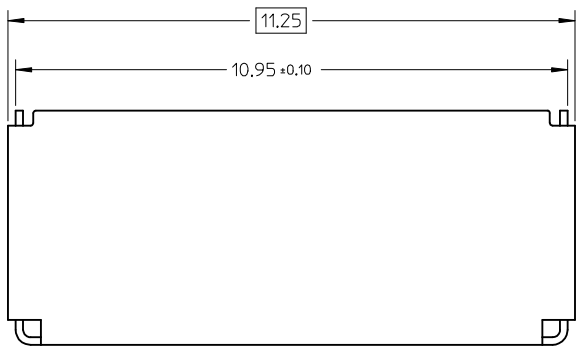
E

D

C

B

A



Notes:
1.MATERIALS:STAINLESS STEEL.
2.FINISH:NONPLATED.

RELEASE EC NO: SH2007-0619 DRWN: IHE CHKD: XIXU APPR: JINCHEN DATE: 2007/03/06 DATE: 2007/03/06 DATE: 2007/03/06	DESCRIPTION B	QUALITY SYMBOLS	GENERAL TOLERANCES (UNLESS SPECIFIED)		DIMENSION STYLE	SCALE	DESIGN UNITS	THIRD ANGLE PROJECTION		
		$\nabla = 0$ $\nabla C = 0$	mm	INCH	MM ONLY	10:1	METRIC			
		4 PLACES	± ---	± ---	DRAWN BY	DATE	TITLE			
		3 PLACES	± ---	± ---	IVAN HE	2006/06/16	TOP COVER FOR CAMERA SOCKET 8.5*8.5 TOP MOUNT			
	2 PLACES	± 0.25	± ---	CHECKED BY	DATE	MOLEX INCORPORATED				
	1 PLACE	± 0.25	± ---	XIXU	2006/06/16					
	ANGULAR ± 1 °		APPROVED BY		DATE	DOCUMENT NO.				
			JENNY CHEN		2006/06/16					
	DRAFT WHERE APPLICABLE MUST REMAIN WITHIN DIMENSIONS		MATERIAL NO.		473370005		SD-47337-002		SHEET NO.	
			SIZE		THIS DRAWING CONTAINS INFORMATION THAT IS PROPRIETARY TO MOLEX INCORPORATED AND SHOULD NOT BE USED WITHOUT WRITTEN PERMISSION					
			A3							

9 8 7 6 5 4 3 2 1