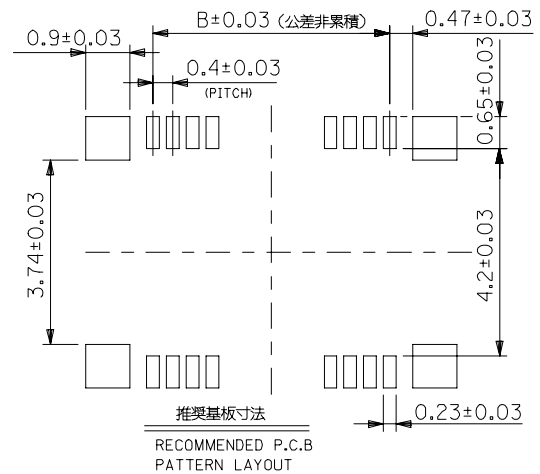
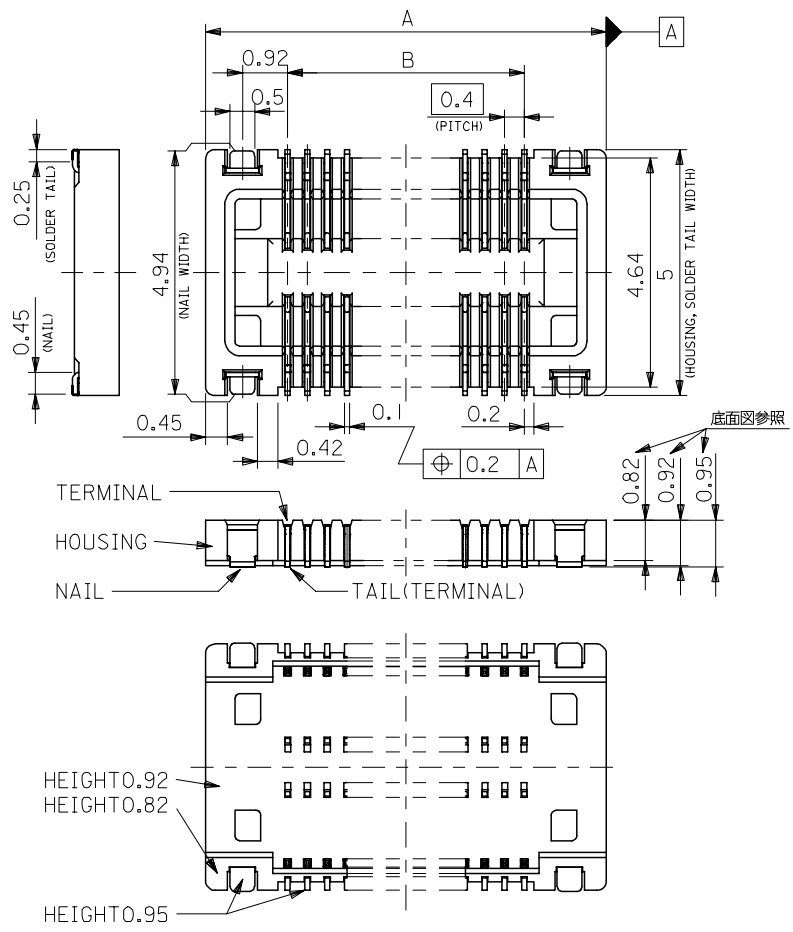


**注記**  
**NOTES**

- 材質 MATERIAL  
ハウジング : 液晶ポリマー-UL94V-0 色:黒  
HOUSING : LIQUID CRYSTAL POLYMER [LCP]  
UL94V-0, COLOR : BLACK  
ターミナル : 銅合金  
TERMINAL : COPPER ALLOY  
ネール : 銅合金  
NAIL : COPPER ALLOY
- メッキ仕様 PLATING  
接点部 : 金メッキ 0.1μm  
CONTACT AREA : GOLD PLATING 0.1μm  
半田付け部 : 金メッキ 0.1μm  
SOLDER TAIL AREA : GOLD PLATING 0.1μm  
下地メッキ : ニッケルメッキ 1.0μm  
UNDER PLATING : NICKEL PLATING 1.0μm  
ネール : 錫メッキ 1.0μm  
NAIL : TIN PLATING 1.0μm  
下地メッキ : ニッケルメッキ 0.5μm  
UNDER PLATING : NICKEL PLATING 0.5μm
- テール及びネールの平坦度は 0.1 以下  
TAIL AND NAIL COPLANARITY : 0.1 MAX.
- 嵌合相手 : 500027 シリーズ  
MATE WITH : 500027 SERIES
- 本製品は500024-\*\*08の黒ハウジングタイプである。  
THIS PRODUCT IS BLACK HOUSING TYPE OF 500024-\*\*08.



18.94	15.6	500024-8099	80
15.74	12.4	500024-6499	64
12.94	9.6	500024-5099	50
7.74	4.4	500024-2499	24
6.14	2.8	500024-1699	16
A	B	MATERIAL No.	CIRCUIT

500024-\*\*99 MODEL NO.

RELEASED EC NO: J2005-2583 DRAWN: K.SUZUKI 2005/03/09 CHKD: NUKITA 2005/03/10 APPR: NUKITA 2005/03/18	GENERAL TOLERANCES (UNLESS SPECIFIED)		DIMENSION STYLE MM ONLY		SCALE ---	DESIGN UNITS METRIC	THIRD ANGLE PROJECTION
	10 UNDER	±0.2	DRAWN BY K.SUZUKI	DATE 2005/03/09	TITLE 0.4MM PITCH B/B CONN H=0.95 REC HSG ASSY -LEAD FREE-		
	10 OVER 30 UNDER	±0.25	CHECKED BY N. UKITA	DATE 2005/03/03	MOLEX INCORPORATED		
	30 OVER	±0.3	APPROVED BY N. UKITA	DATE 2005/03/03	DOCUMENT NO. SD-500024-026	SHEET NO. 1 OF 2	
	ANGULAR	±3 °	MATERIAL NO. SEE CHART				
0	DRAFT WHERE APPLICABLE MUST REMAIN WITHIN DIMENSIONS		SIZE A3		THIS DRAWING CONTAINS INFORMATION THAT IS PROPRIETARY TO MOLEX INCORPORATED AND SHOULD NOT BE USED WITHOUT WRITTEN PERMISSION		

10 9 8 7 6 5 4 3 2 1

F

F

E

E

D

D

C

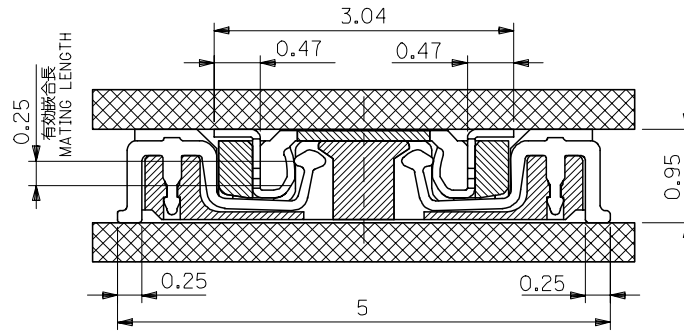
C

B

B

A

A



嵌合断面図 (参考)  
MATED DRAWING

RELEASED EC NO: J2005-2583 DRWNG: SUZUKI 2005/03/09 CHKD: NUKITA 2005/03/10 APPR: NUKITA 2005/03/18	GENERAL TOLERANCES (UNLESS SPECIFIED)		DIMENSION STYLE MM ONLY		SCALE ---	DESIGN UNITS METRIC	THIRD ANGLE PROJECTION		
	10 UNDER	±0.2	DRAWN BY K. SUZUKI		DATE 2005/03/03		TITLE 0.4MM PITCH B/B CONN H=0.95 REC HSG ASSY -LEAD FREE-		
	10 OVER 30 UNDER	±0.25	CHECKED BY N. UKITA		DATE 2005/03/03				
	30 OVER	±0.3	APPROVED BY N. UKITA		DATE 2005/03/03		MOLEX INCORPORATED		
	ANGULAR	±3 °	MATERIAL NO.		DOCUMENT NO.				
DRAFT WHERE APPLICABLE MUST REMAIN WITHIN DIMENSIONS		SEE CHART		SD-500024-026		2 OF 2			
SIZE A3		THIS DRAWING CONTAINS INFORMATION THAT IS PROPRIETARY TO MOLEX INCORPORATED AND SHOULD NOT BE USED WITHOUT WRITTEN PERMISSION							

9

8

7

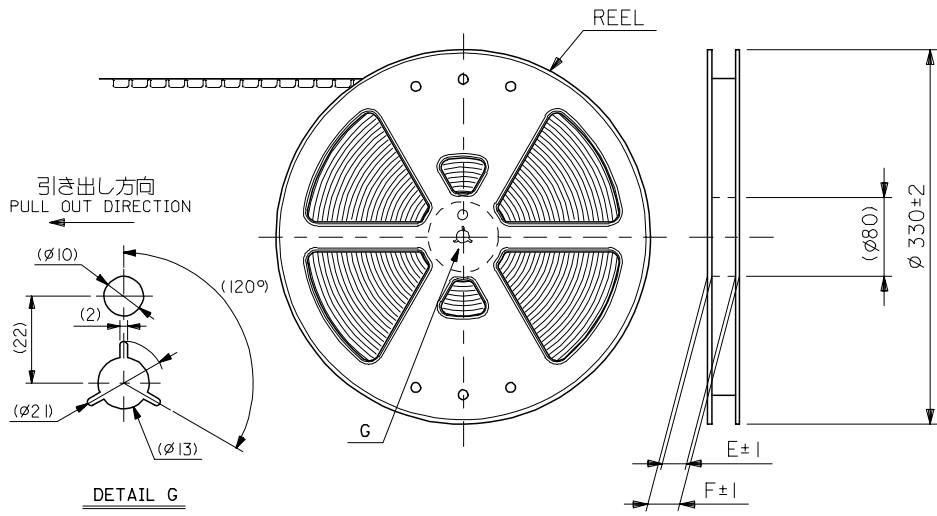
6

5

4

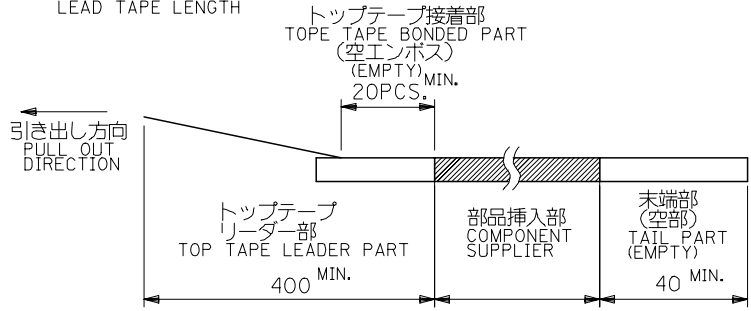
3

2



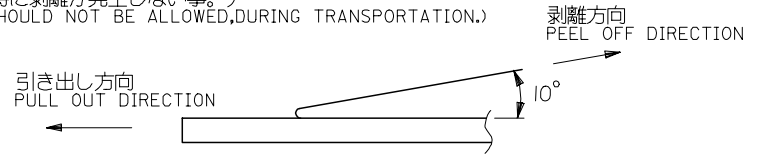
注) NOTES

1. 製品番号 500024-\*\*99 詳細寸法については、製品単体図面を参照下さい。  
IN THE PACKAGE PART NUMBER 500024-\*\*99 DETAILED DIMENSIONS, SEE SALES DRAWING FOR CONNECTOR.
2. 梱包数量：2000個/リール  
NUMBER OF CONNECTORS : 2000 PCS/REEL.
3. リードテープ長さ  
LEAD TAPE LENGTH



4. トップテープの剥離強度：(剥離方向は下図参照)  
PEELING OFF FORCE OF TOP TAPE (PELLING DIRECTION AS SHOWN IN FOLLOWING FIGURE.)  
0. 1~1. 3N {10~130gf}

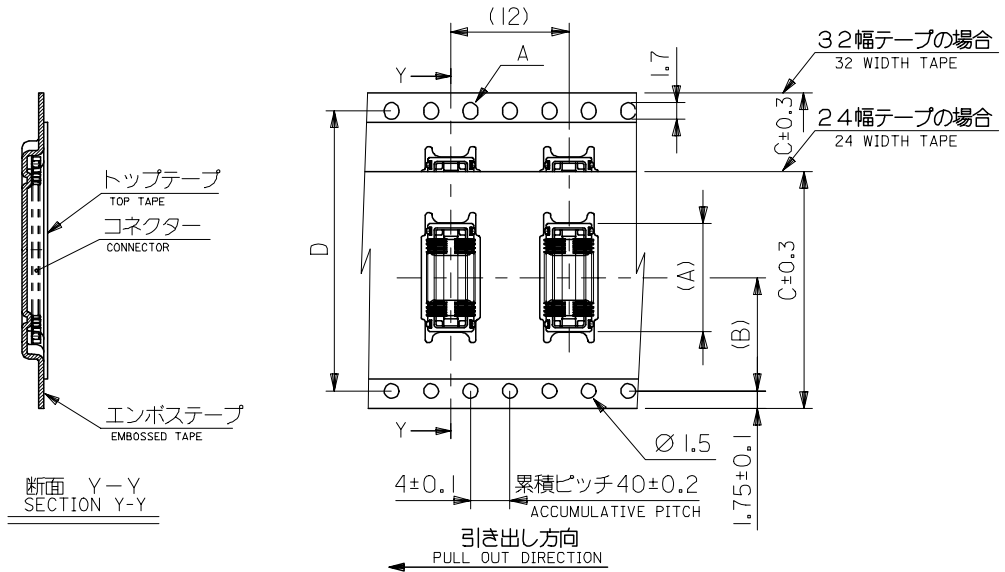
尚、本規格値は、出荷時に適用。  
THIS REQUIREMENT SHOULD BE APPLIED AT SHIPMENT.  
(但し、輸送時に剥離が発生しない事。)  
(PEEL OFF SHOULD NOT BE ALLOWED, DURING TRANSPORTATION.)



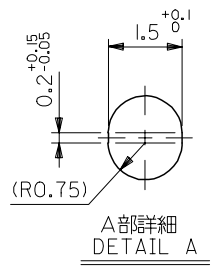
5. 材料  
MATERIAL  
キャリアテープ：ポリプロピレン (PP)  
CARRIER TAPE: POLYPROPYLENE (PP)  
トップテープ：PET, PE, PEF  
TOP TAPE: PET, PE, PEF  
リール：ポリスチレン  
REEL : POLYSTYRENE
6. 本製品は500024-\*\*71の黒ハウジングタイプである。  
THIS PRODUCT IS BLACK HOUSING TYPE OF 500024-\*\*71.

500024-\*\*91 MODEL NO.

RELEASED EC NO: J2005-2583 DRW: KENSUZUKI 2005/03/09 CHK: D: NUKITA 2005/03/10 APP: NUKITA 2005/03/18	GENERAL TOLERANCES (UNLESS SPECIFIED)		DIMENSION STYLE MM ONLY		SCALE ---	DESIGN UNITS METRIC	THIRD ANGLE PROJECTION	
	10 UNDER	±0.2	DRAWN BY K. SUZUKI	DATE 2005/03/03	TITLE 0.4B/B H=1.0 REC. TAPING PACKAGE -LEAD FREE-			
	10 OVER 30 UNDER	±0.25	CHECKED BY N. UKITA	DATE 2005/03/03				
	30 OVER	±0.3	APPROVED BY N. UKITA	DATE 2005/03/03	MOLEX INCORPORATED			
	ANGULAR	±3 °	MATERIAL NO.	DOCUMENT NO.				
	DRAFT WHERE APPLICABLE MUST REMAIN WITHIN DIMENSIONS		SEE CHART		SD-500024-027		1 OF 2	
SIZE A3 THIS DRAWING CONTAINS INFORMATION THAT IS PROPRIETARY TO MOLEX INCORPORATED AND SHOULD NOT BE USED WITHOUT WRITTEN PERMISSION								



断面 Y-Y  
SECTION Y-Y



A部詳細  
DETAIL A

18.94	14.2	32	28.4	33.4	37.4	500024-8099	500024-8091	80
15.74	14.2		28.4			500024-6499	500024-6491	64
12.94	11.5	24	—#—	25.4	29.4	500024-5099	500024-5091	50
7.74	11.5		—#—			500024-2499	500024-2491	24
6.14	11.5		—#—			500024-1699	500024-1691	16
(A)	(B)		C			D	E	F

RELEASED EC NO: J2005-2583 DRAWN: KENSUJIKI 2005/03/09 CHKD: NUKITA 2005/03/10 APPR: NUKITA 2005/03/18	GENERAL TOLERANCES (UNLESS SPECIFIED)		DIMENSION STYLE MM ONLY		SCALE ---	DESIGN UNITS METRIC	THIRD ANGLE PROJECTION	
	10 UNDER	±0.2	DRAWN BY K. SUZUKI	DATE 2005/03/03	TITLE 0.4B/B H=1.0 REC. TAPING PACKAGE -LEAD FREE-			
	10 OVER 30 UNDER	±0.25	CHECKED BY N. UKITA	DATE 2005/03/03	APPROVED BY N. UKITA 2005/03/03			
	30 OVER	±0.3	MATERIAL NO.		DOCUMENT NO. SD-500024-027		SHEET NO. 2 OF 2	
	ANGULAR ±3 °		DRAFT WHERE APPLICABLE MUST REMAIN WITHIN DIMENSIONS		SEE CHART		MOLEX INCORPORATED	