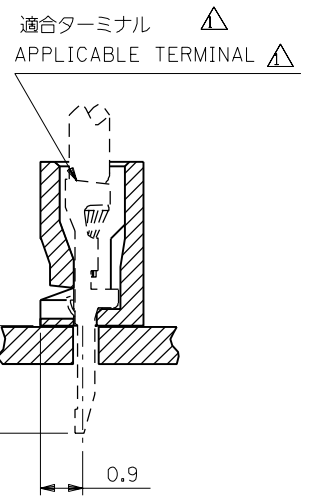


基板取付穴推奨寸法 (t=0.8)
RECOMMENDED P.C.BOARD HOLE DIM.(t=0.8)



注記 NOTE
 \triangle 適合ターミナル : 50061-8*00
 50080-8*00
 \triangle APPLICABLE TERMINAL : 50061-8*00
 50080-8*00

17.5	19.3	51022-1500	15
16.25	18.05	-1400	14
15	16.8	-1300	13
13.75	15.55	-1200	12
12.5	14.3	-1100	11
11.25	13.05	-1000	10
10	11.8	-0900	9
8.75	10.55	-0800	8
7.5	9.3	-0700	7
6.25	8.05	-0600	6
5	6.8	-0500	5
3.75	5.55	-0400	4
2.5	4.3	-0300	3
1.25	3.05	51022-0200	2
B	A	ENG. NO.	種数 CKT.NO.

角度 ANGLE	$\pm 3^\circ$		
30 以上 OVER	$+0.3$		
10 以上 30 未満 OVER UNDER	$+0.25$		
10 未満 UNDER	$+0.2$		
一般公差 GENERAL TOLERANCES			
記号 LTR	変更内容 REVISION RECORD	DR. CHK.	日付 DATE
	再作図 REDRAWN	H.J S.K	'96/05/28
	CJC703131		

材料 MATERIAL	ポリエステル、UL94V-0 POLYESTER, UL94V-0
仕上げ FINISH	—
適用電線範囲 WIRE RANGE	—
被覆外径 INS. RANGE	—
DRAWN BY '96/05/29	CHK'D BY '96/05/29
H.IIJIJIMA	M.FUKUSHIMA
APP'D BY '96/05/29	尺 度
M.ENOMOTO	SCALE 10:1

molex MOLEX-JAPAN CO.,LTD.
日本モレックス株式会社

REVISE ONLY ON CAD SYSTEM

TITLE 名称
1.25 BOARD IN
CONN. HOUSING

DWG. NO. SD-5 1022-**-00

REV C

10 9 8 7 6 5 4 3 2 1

F

E

D

C

B

A

F

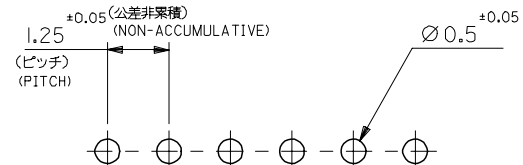
E

D

C

B

A

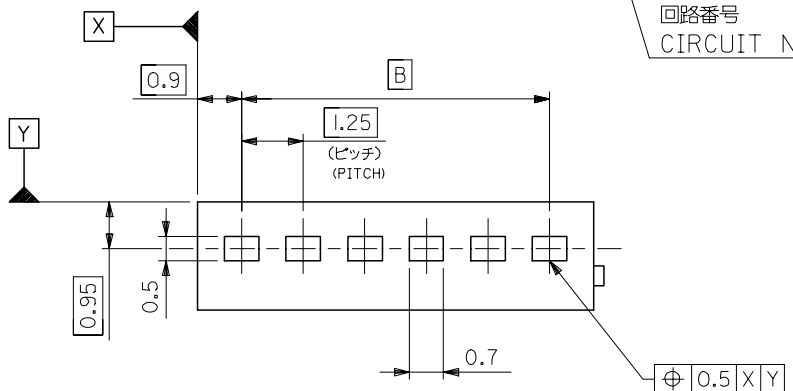
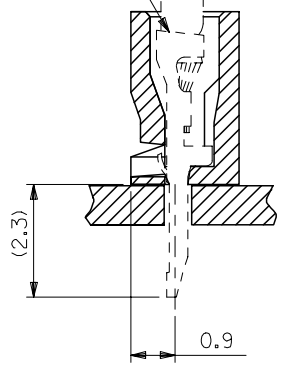
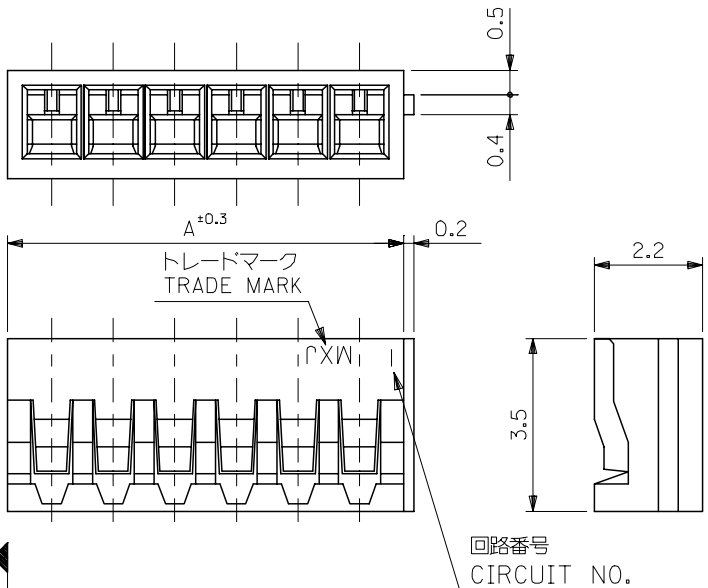


基板取付穴推奨寸法 (t=0.8)
RECOMMENDED P.C.BOARD HOLE DIM.(t=0.8)

適合ターミナル
APPLICABLE TERMINAL

注記
NOTE

- △ 適合ターミナル : 50061-8*00
50080-8*00
- △ APPLICABLE TERMINAL : 50061-8*00
50080-8*00



17.5	19.3	51022-1500	15
16.25	18.05	-1400	14
15	16.8	-1300	13
13.75	15.55	-1200	12
12.5	14.3	-1100	11
11.25	13.05	-1000	10
10	11.8	-0900	9
8.75	10.55	-0800	8
7.5	9.3	-0700	7
6.25	8.05	-0600	6
5	6.8	-0500	5
3.75	5.55	-0400	4
2.5	4.3	-0300	3
1.25	3.05	51022-0200	2
B	A	ENG. NO.	種数 CKT.NO.

材料 MATERIAL	ポリエステル, UL94V-0 POLYESTER, UL94V-0
仕上げ FINISH	-
適用電線範囲 WIRE RANGE	-
被覆外径 INS. RANGE	-

REVISED	2006/04/05
EC NO: J2006-2413	2006/04/06
DRWN: A0YAGI	2006/04/12
CHKD: TANAKA	
APPR: NUKITA	
DESCRIPTION	
REV	D

GENERAL TOLERANCES (UNLESS SPECIFIED)	
10 UNDER	±0.2
10 OVER 30 UNDER	±0.25
30 OVER	±0.3
ANGULAR	±3 °
DRAFT WHERE APPLICABLE MUST REMAIN WITHIN DIMENSIONS	

DIMENSION STYLE MM ONLY	
DRAWN BY	DATE
H. IJIMA	1996/05/29
CHECKED BY	DATE
M. FUKUSHIMA	1996/05/29
APPROVED BY	DATE
M. ENOMOTO	1996/05/29
MATERIAL NO.	
SEE CHART	
SIZE	A3

SCALE	10:1	DESIGN UNITS	METRIC	THIRD ANGLE PROJECTION
TITLE 1.25 BOARD IN CONN HSG				
MOLEX INCORPORATED				
DOCUMENT NO. SD-51022-001			SHEET NO. 1 OF 1	
THIS DRAWING CONTAINS INFORMATION THAT IS PROPRIETARY TO MOLEX INCORPORATED AND SHOULD NOT BE USED WITHOUT WRITTEN PERMISSION				