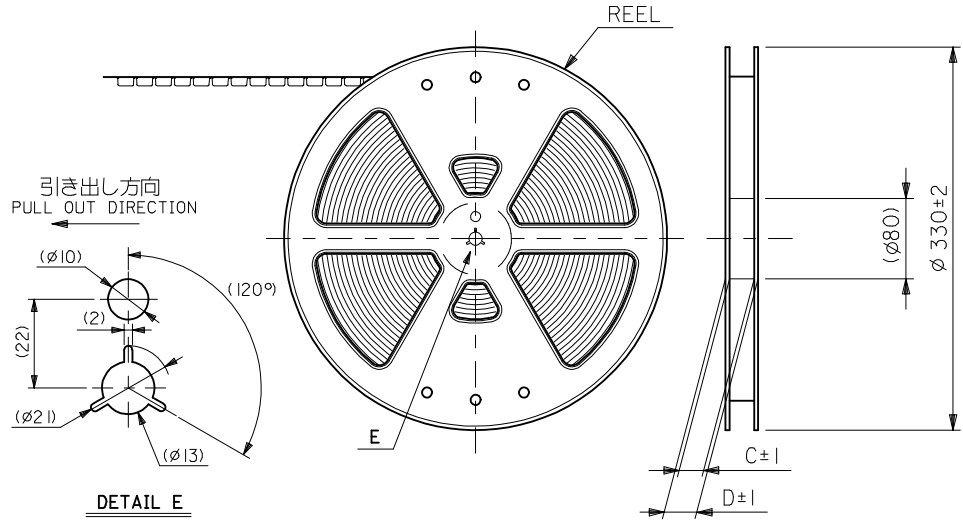
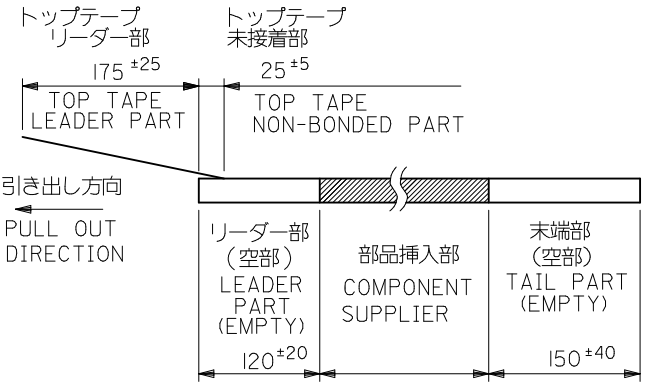


注記 NOTES

- 製品番号 52559-\*\*19 の梱包状態はアクチュエータがロックした状態とする。  
 詳細寸法については図面 SD-52559-\*\*19 を参照下さい。  
 IN THE PACKAGE,ACTUATOR OF PART NO.52559-\*\*19 SHOULD BE LOCKED  
 RE DETAILED DIMENSIONS,SEE SD-52559-\*\*19
- 梱包数量：1000個/リール  
 NUMBER OF CONNECTORS:1000PCS/REEL
- リードテープ長さ LEAD TAPE LENGTH



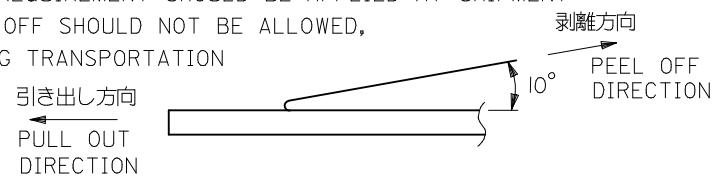
5. 材料  
 キャリアテープ：ポリプロピレン (PP)  
 トップテープ：PET, PE, PEF  
 リール：ポリスチレン (PS) <リサイクル材を含む>

MATERIAL CARRIER TAPE:POLYPROPYLENE  
 TOP TAPE:PET,PE,PEF  
 REEL:POLYSTYREN(PS)  
 <RECYCLE MATERIAL CONTAINED>

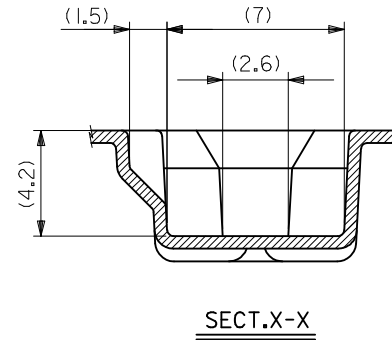
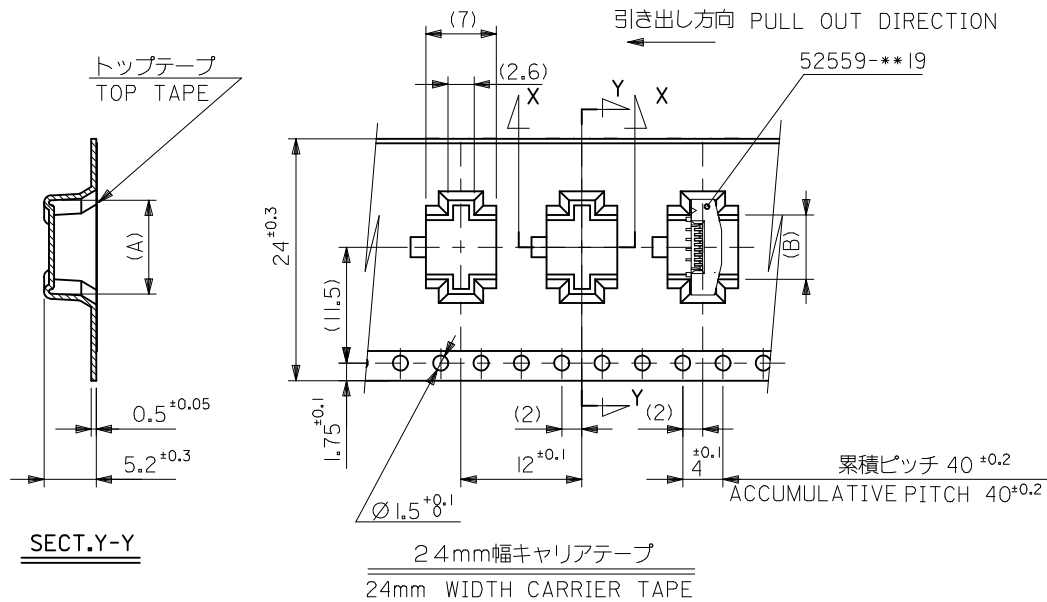
6. 本製品は 52559-\*\*90の鉛フリー品である。  
 THIS PRODUCT IS LEAD FREE OF

7. 本製品は乾燥剤入り、ハイバリア梱包仕様である。  
 THIS PRODUCT IS HIGH BARRIER PACKAGE WITH DESICCANT.

4. トップテープの剥離強度：(剥離方向は下図参照)  
 0.1N~1.3N {10gf~130gf}尚、本規格値は、出荷時に適用。  
 (但し、輸送時に剥離が発生しない事。)  
 PEELING OFF FORCE OF TOP TAPE  
 0.1~1.3N(10gf~130gf)(PEELING DIRECTION AS SHOWN IN FOLLOWING FIG.)  
 THIS REQUIREMENT SHOULD BE APPLIED AT SHIPMENT  
 PEEL OFF SHOULD NOT BE ALLOWED,  
 DURING TRANSPORTATION



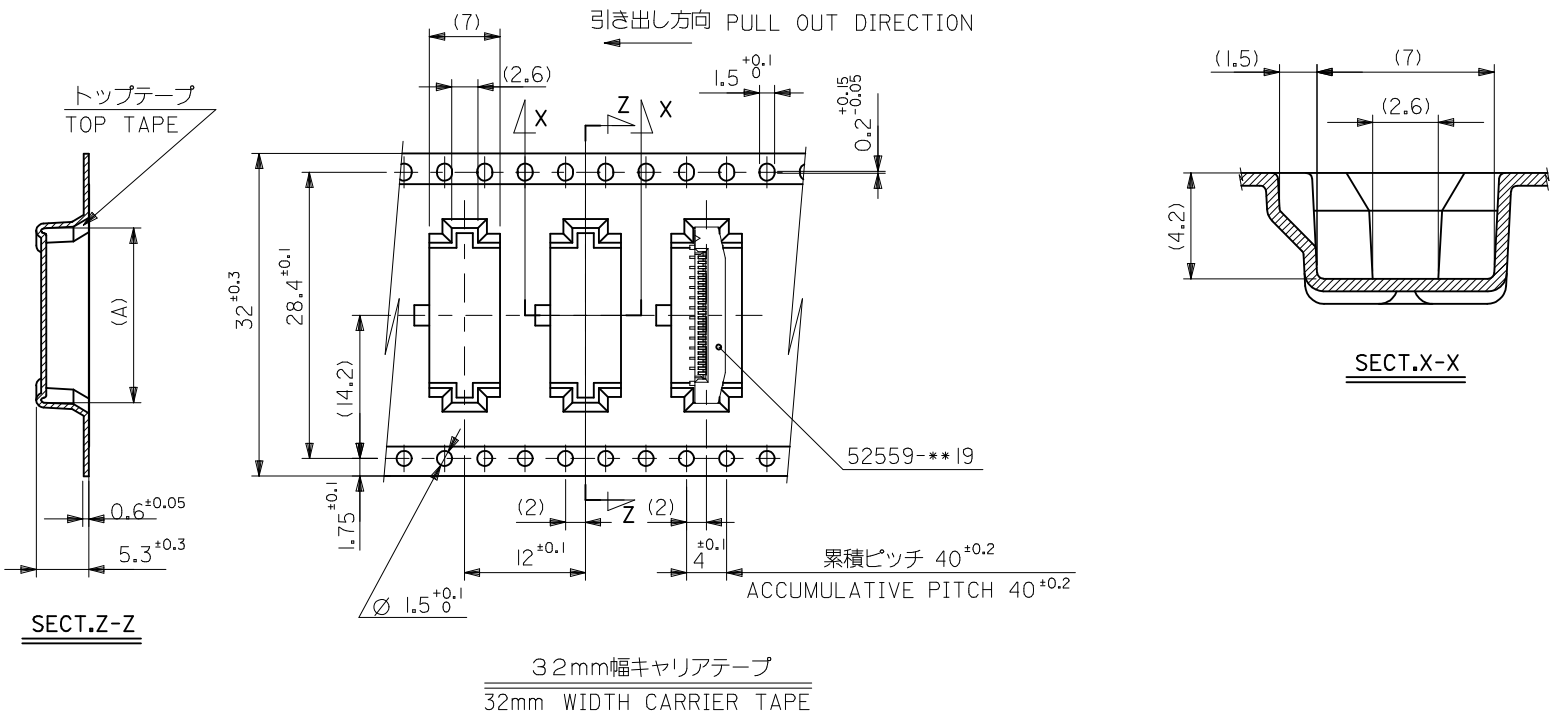
|   |                  |  |  |                            |                   |  |                        |                              |                     |
|---|------------------|--|--|----------------------------|-------------------|--|------------------------|------------------------------|---------------------|
| REVISED<br>EC NO: J2009-2061<br>DRWN:TKON 2009/05/20<br>CHKD:HMATSUMOTO 2009/05/21<br>APPR:NIKIITA 2009/05/21 | DESCRIPTION<br>D | GENERAL TOLERANCES (UNLESS SPECIFIED)  |  | DIMENSION STYLE<br>MM ONLY |                   | SCALE<br>---   | 52559-**70             | MODEL NO.                    |                     |
|   |                  | 10 UNDER ±0.2  |  | DRAWN BY<br>HSHIMABUKURO   | DATE<br>'04/01/07 | TITLE  | DESIGN UNITS<br>METRIC | THIRD ANGLE PROJECTION       |                     |
|   |                  | 10 OVER 30 UNDER ±0.25   |  | CHECKED BY<br>KTOJO        | DATE<br>'04/01/07 | 0.5 FPC CONN ASSY ZIF<br>SMT SMT EMBSTP PKG<br>-LEAD FREE- | MOLEX                  | DOCUMENT NO.<br>SD-52559-029 | SHEET NO.<br>1 OF 4 |
|   |                  | 30 OVER ±0.3   |  | APPROVED BY<br>MSASAO      | DATE<br>'04/01/07 |  |                        |                              |                     |
| ANGULAR ±3 °  |                  | MATERIAL NO.<br>SEE SHEET 2-4  |  |                            |                   |  |                        |                              |                     |
| DRAFT WHERE APPLICABLE<br>MUST REMAIN<br>WITHIN DIMENSIONS  |                  | THIS DRAWING CONTAINS INFORMATION THAT IS PROPRIETARY TO MOLEX<br>INCORPORATED AND SHOULD NOT BE USED WITHOUT WRITTEN PERMISSION |  |                            |                   |  |                        |                              |                     |



|     |      |            |      |      |            |    |
|-----|------|------------|------|------|------------|----|
| 24  | 29.4 | 25.4       | 13.4 | 16.3 | 52559-2270 | 22 |
|     |      |            | 12.4 | 15.3 | 52559-2070 | 20 |
|     |      |            | 11.9 | 14.8 | 52559-1970 | 19 |
|     |      |            | 11.4 | 14.3 | 52559-1870 | 18 |
|     |      |            | 10.4 | 13.3 | 52559-1670 | 16 |
|     |      |            | 9.9  | 12.8 | 52559-1570 | 15 |
|     |      |            | 9.4  | 12.3 | 52559-1470 | 14 |
|     |      |            | 8.9  | 11.8 | 52559-1370 | 13 |
|     |      |            | 8.4  | 11.3 | 52559-1270 | 12 |
|     |      |            | 7.9  | 10.8 | 52559-1170 | 11 |
| 6.4 | 9.3  | 52559-0870 | 8    |      |            |    |
| 5.4 | 8.3  | 52559-0670 | 6    |      |            |    |

MODEL No.52559-\*\*-70 キャリアテープ幅  
CARRIER TAPE WIDTH

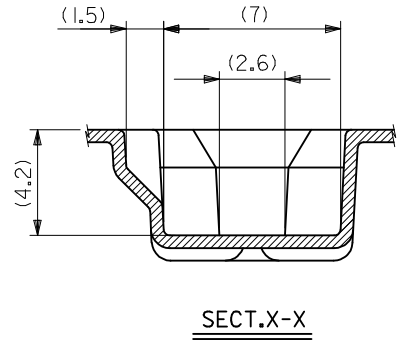
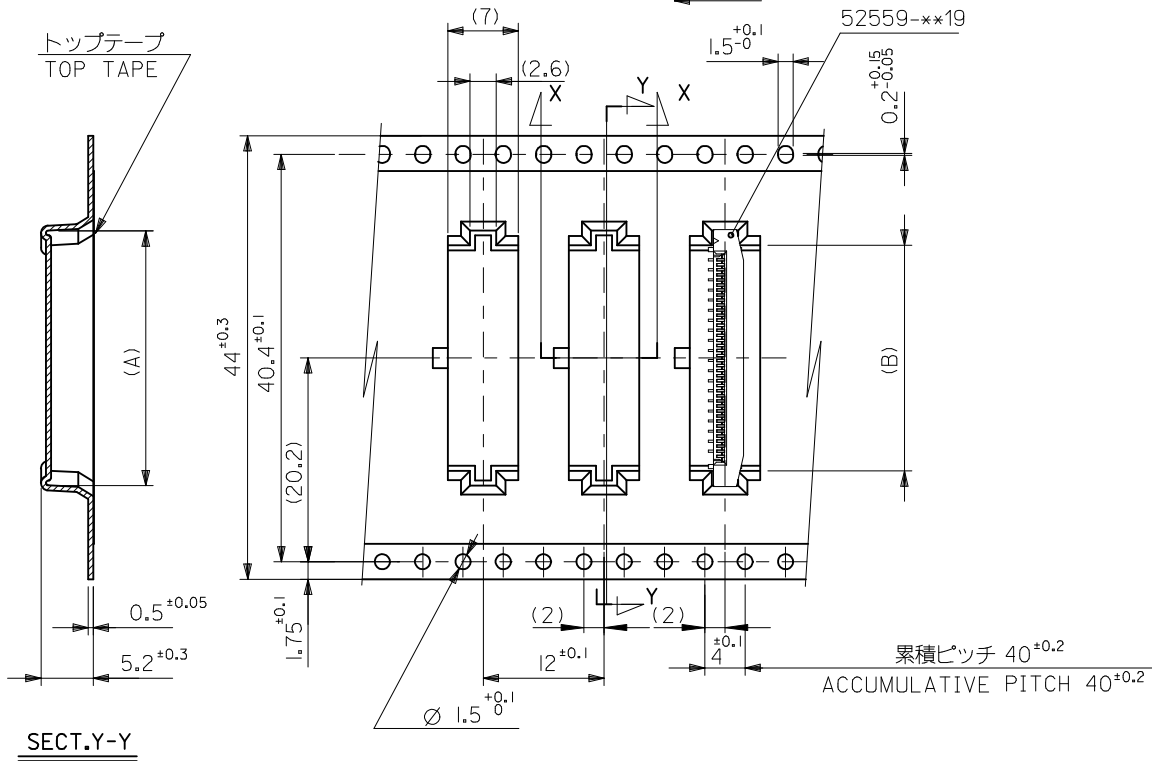
|   |  |  |                            |  |   |                           |
|---|--|--|----------------------------|--|---|---------------------------|
| REVISED<br>EC NO.: J2009-2061<br>DRWN:TKON 2009/05/20<br>CHKD:HMATSUMOTO 2009/05/21<br>APPR:NUKITA 2009/05/21 | GENERAL TOLERANCES<br>(UNLESS SPECIFIED) |  | DIMENSION STYLE<br>MM ONLY | SCALE<br>---   | DESIGN UNITS<br>METRIC  | THIRD ANGLE<br>PROJECTION |
|   | 10 UNDER                                 | ±0.2   | DRAWN BY<br>HSHIMABUKURO   | DATE<br>'04/01/07  | TITLE<br>0.5 FPC CONN ASSY ZIF<br>SMT SMT EMBSTP PKG<br>-LEAD FREE- |                           |
|   | 10 OVER 30 UNDER                         | ±0.25  | CHECKED BY<br>KTOJO        | DATE<br>'04/01/07  | MOLEX INCORPORATED  |                           |
|   | 30 OVER                                  | ±0.3   | APPROVED BY<br>MSASAO      | DATE<br>'04/01/07  | DOCUMENT NO.<br>SD-52559-029  | SHEET NO.<br>2 OF 4       |
|   | ANGULAR ±3 °                             | DRAFT WHERE APPLICABLE<br>MUST REMAIN<br>WITHIN DIMENSIONS | MATERIAL NO.<br>SEE TABLE  | THIS DRAWING CONTAINS INFORMATION THAT IS PROPRIETARY TO MOLEX<br>INCORPORATED AND SHOULD NOT BE USED WITHOUT WRITTEN PERMISSION |   |                           |



|    |      |      |      |      |            |    |
|----|------|------|------|------|------------|----|
| 32 | 37.4 | 33.4 | 18.9 | 21.8 | 52559-3370 | 33 |
|    |      |      | 18.4 | 21.3 | 52559-3270 | 32 |
|    |      |      | 17.4 | 20.3 | 52559-3070 | 30 |
|    |      |      | 16.4 | 19.3 | 52559-2870 | 28 |
|    |      |      | 15.4 | 18.3 | 52559-2670 | 26 |
|    |      |      | 14.9 | 17.8 | 52559-2570 | 25 |
|    |      |      | 14.4 | 17.3 | 52559-2470 | 24 |

|   |                  |                                       |  |                      |   |                  |              |  |                        |              |               |
|---|------------------|---------------------------------------|--|----------------------|---|------------------|--------------|--|------------------------|--------------|---------------|
| REVISED<br>EC NO.: J2009-2061<br>DRWN:TKON 2009/05/20<br>CHKD:HMATSUMOTO 2009/05/21<br>APPR:NUKITA 2009/05/21 | DESCRIPTION<br>D | GENERAL TOLERANCES (UNLESS SPECIFIED) |  | MODEL No.52559-**-70 | キャリアテープ幅<br>CARRIER TAPE WIDTH  | D                | C            | (B)  | (A)                    | MATERIAL NO. | 極致<br>CIRCUIT |
|   |                  | 10 UNDER                              | ±0.2   | DIMENSION STYLE      |   | SCALE            | DESIGN UNITS |  | THIRD ANGLE PROJECTION |              |               |
|   |                  | 10 OVER 30 UNDER                      | ±0.25  | MM ONLY              |   | ---              | METRIC       |  | TITLE                  |              |               |
|   |                  | 30 OVER                               | ±0.3   | DRAWN BY DATE        |   | TITLE            |              | 0.5 FPC CONN ASSY ZIF<br>SMT SMT EMBSTP PKG<br>-LEAD FREE- |                        |              |               |
|   |                  | ANGULAR ±3 °                          | DRAFT WHERE APPLICABLE MUST REMAIN WITHIN DIMENSIONS |                      | CHECKED BY DATE   | APPROVED BY DATE |              | MOLEX INCORPORATED   |                        |              |               |
|   |                  |                                       |  |                      | MSASAO '04/01/07  | MATERIAL NO.     |              | DOCUMENT NO.   |                        | SHEET NO.    |               |
|   |                  |                                       |  |                      | SIZE A3   | SEE TABLE        |              | SD-52559-029   |                        | 3 OF 4       |               |
|   |                  |                                       |  |                      | THIS DRAWING CONTAINS INFORMATION THAT IS PROPRIETARY TO MOLEX INCORPORATED AND SHOULD NOT BE USED WITHOUT WRITTEN PERMISSION |                  |              |  |                        |              |               |

引き出し方向 PULL OUT DIRECTION

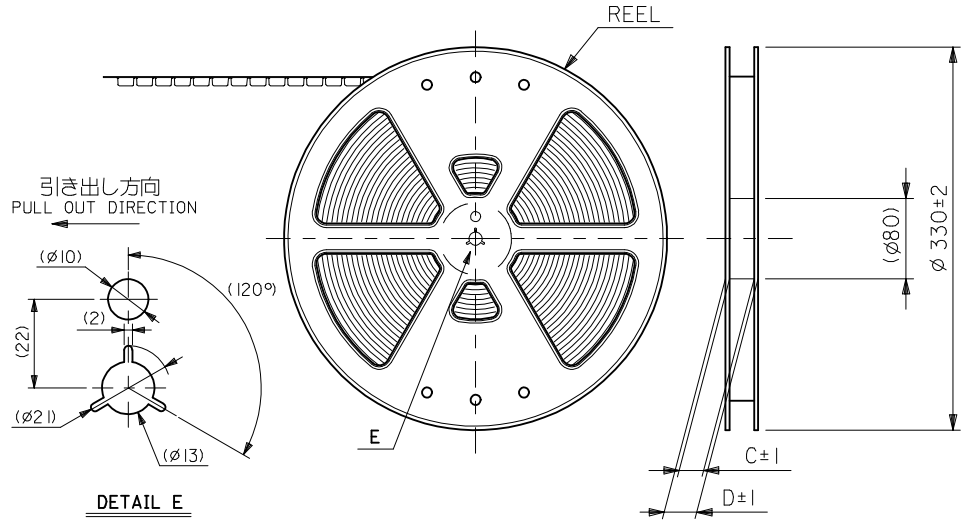
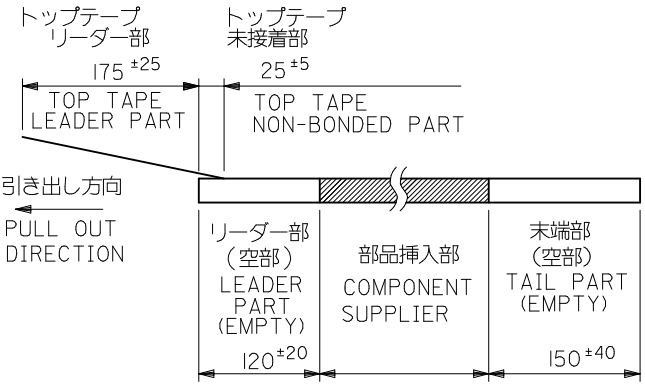


44mm幅キャリアテープ  
44mm WIDTH CARRIER TAPE

|  |                         |                                       |  |   |                    |   |      |              |            |                            |                          |
|--|-------------------------|---------------------------------------|--|---|--------------------|---|------|--------------|------------|----------------------------|--------------------------|
| REVISED<br>EC NO: J2009-2061<br>DRWN:TKON 2009/05/20<br>CHKD:HMATSUMOTO 2009/05/21<br>APPR:NUKITA 2009/05/21 | DESCRIPTION<br>D<br>REV | GENERAL TOLERANCES (UNLESS SPECIFIED) |  | 44  | 49.4               | 45.4  | 22.4 | 25.3         | 52559-4070 | 40                         |                          |
|  |                         | 10 UNDER ±0.2                         |  | MODEL No.52559-**70   | CARRIER TAPE WIDTH | D   | C    | 20.4         | 23.3       | 52559-3670                 | 36                       |
|  |                         | 10 OVER 30 UNDER ±0.25                |  | DIMENSION STYLE   |                    | SCALE   |      | DESIGN UNITS |            | MATERIAL NO. CIRCUIT NO.   |                          |
|  |                         | 30 OVER ±0.3                          |  | MM ONLY   |                    | ---   |      | METRIC       |            | ◎ □ THIRD ANGLE PROJECTION |                          |
| ANGULAR ±3 °   |                         | DRAWN BY DATE                         |  | TITLE   |                    | 0.5 FPC CONN ASSY ZIF<br>SMT ST EMBSTP PKG<br>-LEAD FREE- |      |              |            |                            |                          |
| DRAFT WHERE APPLICABLE MUST REMAIN WITHIN DIMENSIONS   |                         | HSHIMABUKURO '04/01/07                |  | MSASA0 '04/01/07  |                    |   |      |              |            |                            | molex MOLEX INCORPORATED |
|  |                         | CHECKED BY DATE                       |  | MATERIAL NO.  |                    | DOCUMENT NO.  |      | SHEET NO.    |            |                            |                          |
|  |                         | KTOJO '04/01/07                       |  | SEE TABLE   |                    | SD-52559-029  |      | 4 OF 4       |            |                            |                          |
|  |                         | APPROVED BY DATE                      |  | THIS DRAWING CONTAINS INFORMATION THAT IS PROPRIETARY TO MOLEX INCORPORATED AND SHOULD NOT BE USED WITHOUT WRITTEN PERMISSION |                    |   |      |              |            |                            |                          |
|  |                         | MSASA0 '04/01/07                      |  |   |                    |   |      |              |            |                            |                          |

注記 NOTES

- 製品番号 52559-\*\*19 の梱包状態はアクチュエータがロックした状態とする。  
 詳細寸法については図面 SD-52559-\*\*19 を参照下さい。  
 IN THE PACKAGE,ACTUATOR OF PART NO.52559-\*\*19 SHOULD BE LOCKED  
 RE DETAILED DIMENSIONS,SEE SD-52559-\*\*19
- 梱包数量：1000個/リール  
 NUMBER OF CONNECTORS:1000PCS/REEL
- リードテープ長さ LEAD TAPE LENGTH



DETAIL E

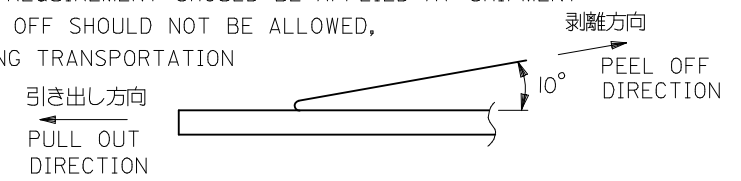
5. 材料  
 キャリアテープ：ポリプロピレン (PP)  
 トップテープ：PET, PE, PEF  
 リール：ポリスチレン (PS) <リサイクル材を含む>

MATERIAL CARRIER TAPE:POLYPROPYLENE  
 TOP TAPE:PET,PE,PEF  
 REEL:POLYSTYREN(PS)  
 <RECYCLE MATERIAL CONTAINED>

6. 本製品は 52559-\*\*90 の鉛フリー品である。  
 THIS PRODUCT IS LEAD FREE OF

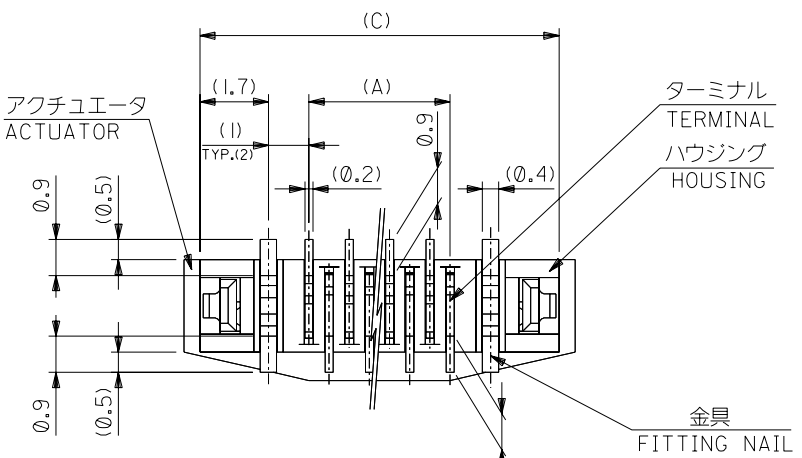
7. 本製品は乾燥剤入り、ハイバリア梱包仕様である。  
 THIS PRODUCT IS HIGH BARRIER PACKAGE WITH DESICCANT.

4. トップテープの剥離強度：(剥離方向は下図参照)  
 0.1N~1.3N {10gf~130gf}尚、本規格値は、出荷時に適用。  
 (但し、輸送時に剥離が発生しない事。)  
 PEELING OFF FORCE OF TOP TAPE  
 0.1~1.3N(10gf~130gf)(PEELING DIRECTION AS SHOWN IN FOLLOWING FIG.)  
 THIS REQUIREMENT SHOULD BE APPLIED AT SHIPMENT  
 PEEL OFF SHOULD NOT BE ALLOWED,  
 DURING TRANSPORTATION



|   |                  |  |       |                               |                   |  |  |                        |                           |
|---|------------------|--|-------|-------------------------------|-------------------|--|--|------------------------|---------------------------|
| REVISED<br>EC NO: J2009-2061<br>DRWN:TKON 2009/05/20<br>CHKD:HMATSUMOTO 2009/05/21<br>APPR:NIKIITA 2009/05/21 | DESCRIPTION<br>D | GENERAL TOLERANCES (UNLESS SPECIFIED)                      |       | DIMENSION STYLE<br>MM ONLY    |                   | SCALE<br>---   | 52559-**70   | MODEL NO.              |                           |
|   |                  | 10 UNDER   | ±0.2  | DRAWN BY<br>HSHIMABUKURO      | DATE<br>'04/01/07 | TITLE  | 0.5 FPC CONN ASSY ZIF<br>SMT SMT EMBSTP PKG<br>-LEAD FREE- |                        |                           |
|   |                  | 10 OVER 30 UNDER   | ±0.25 | CHECKED BY<br>KTOJO           | DATE<br>'04/01/07 | MOLEX INCORPORATED   |  | DESIGN UNITS<br>METRIC | THIRD ANGLE<br>PROJECTION |
|   |                  | 30 OVER  | ±0.3  | APPROVED BY<br>MSASAO         | DATE<br>'04/01/07 | DOCUMENT NO.<br>SD-52559-029   |  | SHEET NO.<br>1 OF 4    |                           |
|   |                  | ANGULAR ±3 °   |       | MATERIAL NO.<br>SEE SHEET 2-4 |                   |  |  |                        |                           |
|   |                  | DRAFT WHERE APPLICABLE<br>MUST REMAIN<br>WITHIN DIMENSIONS |       | SIZE<br>A3                    |                   | THIS DRAWING CONTAINS INFORMATION THAT IS PROPRIETARY TO MOLEX<br>INCORPORATED AND SHOULD NOT BE USED WITHOUT WRITTEN PERMISSION |  |                        |                           |

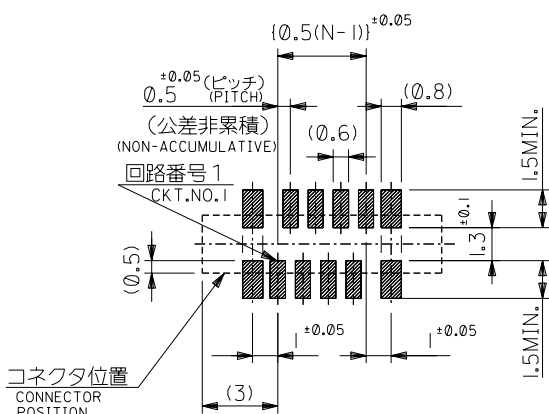
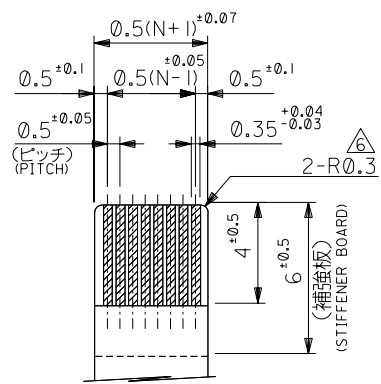
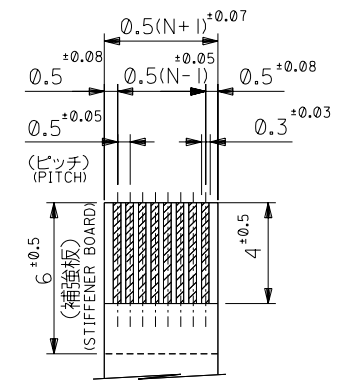
DWG. NO. SD-52559-045



FPCについて：  
 打抜き方向は導体側から補強板側を推奨致します。  
 補強フィルム材質はポリイミドを推奨致します。  
 接着剤は熱硬化接着剤を推奨致します。

ABOUT FPC :  
 RECOMMENDED PUNCHER DIRECTION : FROM CONDUCTOR SIDE TO STIFFENER BOARD SIDE.  
 RECOMMENDED MATERIAL :  
 STIFFENER FILM : POLYIMIDE  
 BONDING AGENT : THERMOSETTING BONDING AGENT

下面図  
 BOTTOM VIEW



適合FPC推奨寸法  
 APPLICABLE FPC  
 RECOMMENDED DIMENSION.  
 (仕上がり厚さ: 0.3±0.05)  
 (THICKNESS: 0.3±0.05)

適合FPC推奨寸法  
 APPLICABLE FPC  
 RECOMMENDED DIMENSION.  
 (仕上がり厚さ: 0.3±0.05)  
 (THICKNESS: 0.3±0.05)

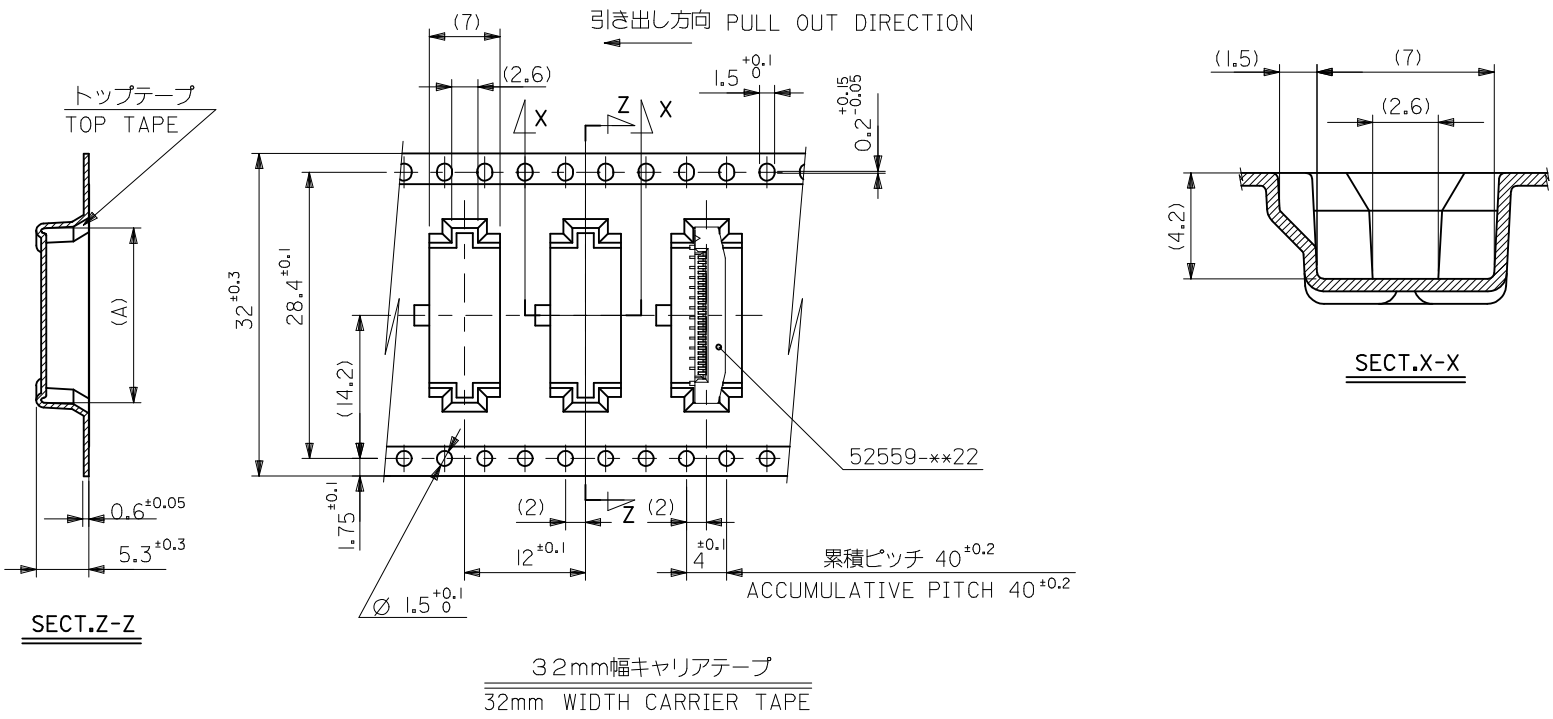
コネクタ位置  
 CONNECTOR POSITION  
 参考基板レイアウト  
 (マウント面)  
 RECOMMENDED P.C. BOARD  
 PATTERN DIMENSION (REF.)  
 (MOUNTING SIDE)

|      |      |       |      |              |    |
|------|------|-------|------|--------------|----|
| 25.7 | 24.9 | 20.65 | 19.5 | 52559-4019   | 40 |
| 23.7 | 22.9 | 18.65 | 17.5 | -3619        | 36 |
| 22.2 | 21.4 | 17.15 | 16.0 | -3319        | 33 |
| 21.7 | 20.9 | 16.65 | 15.5 | -3219        | 32 |
| 21.2 | 20.4 | 16.15 | 15.0 | -3119        | 31 |
| 20.7 | 19.9 | 15.65 | 14.5 | -3019        | 30 |
| 20.2 | 19.4 | 15.15 | 14.0 | -2919        | 29 |
| 19.7 | 18.9 | 14.65 | 13.5 | -2819        | 28 |
| 19.2 | 18.4 | 14.15 | 13.0 | -2719        | 27 |
| 18.7 | 17.9 | 13.65 | 12.5 | -2619        | 26 |
| 18.2 | 17.4 | 13.15 | 12.0 | -2519        | 25 |
| 17.7 | 16.9 | 12.65 | 11.5 | -2419        | 24 |
| 17.2 | 16.4 | 12.15 | 11.0 | -2319        | 23 |
| 16.7 | 15.9 | 11.65 | 10.5 | -2219        | 22 |
| 16.2 | 15.4 | 11.15 | 10.0 | -2119        | 21 |
| 15.7 | 14.9 | 10.65 | 9.5  | -2019        | 20 |
| 15.2 | 14.4 | 10.15 | 9.0  | -1919        | 19 |
| 14.7 | 13.9 | 9.65  | 8.5  | -1819        | 18 |
| 14.2 | 13.4 | 9.15  | 8.0  | -1719        | 17 |
| 13.7 | 12.9 | 8.65  | 7.5  | -1619        | 16 |
| 13.2 | 12.4 | 8.15  | 7.0  | -1519        | 15 |
| 12.7 | 11.9 | 7.65  | 6.5  | -1419        | 14 |
| 12.2 | 11.4 | 7.15  | 6.0  | -1319        | 13 |
| 11.7 | 10.9 | 6.65  | 5.5  | -1219        | 12 |
| 11.2 | 10.4 | 6.15  | 5.0  | -1119        | 11 |
| 10.7 | 9.9  | 5.65  | 4.5  | -1019        | 10 |
| 10.2 | 9.4  | 5.15  | 4.0  | -0919        | 9  |
| 9.7  | 8.9  | 4.65  | 3.5  | -0819        | 8  |
| 8.7  | 7.9  | 3.65  | 2.5  | 52559-0619   | 6  |
| D    | C    | B     | (A)  | MATERIAL NO. | 極数 |

DO NOT SCALE DRAWING

|                             |                             |                             |  |  |   |  |   |  |  |
|-----------------------------|-----------------------------|-----------------------------|--|--|---|--|---|--|--|
| 図番 NO.<br>DRWN: CH'K: APPR: | 図番 NO.<br>DRWN: CH'K: APPR: | 図番 NO.<br>DRWN: CH'K: APPR: | REVISED<br>図番 NO. J2004-3551<br>DRWN: H.KAWABATA '04/04/05<br>CH'K: K.TOJO '04/04/05<br>APPR: H. Saito '04/04/05 | RELEASED<br>図番 NO. J2004-1818<br>DRWN: H.SHIMABUKURO '04/01/07<br>CH'K: K.TOJO '04/01/07<br>APPR: H. Saito '04/01/07 | MATERIAL 材料<br>注記参照<br>SEE NOTES  | GENERAL TOLERANCES:<br>(UNLESS SPECIFIED)<br>一般公差<br>10 UNDER 未滿 ±0.2<br>10 OVER 以上 30 UNDER 未滿 ±0.25<br>30 OVER 以上 ±0.3 | SCALE 1:1<br>DESIGN UNITS<br><input checked="" type="checkbox"/> mm <input type="checkbox"/> INCH<br>PROJECTION<br><input checked="" type="checkbox"/> 1st ANGLE <input type="checkbox"/> 3rd ANGLE | MODEL NO. 52559-***19<br>DIMENSIONS:<br><input type="checkbox"/> mm <input type="checkbox"/> INCH <input checked="" type="checkbox"/> mm ONLY<br>SHT REV | TITLE:<br>0.5 FPC Conn. Assy ZIF.<br>-LEAD FREE- |
|                             |                             |                             | WIRE RANGE<br>適用 層数 範囲   | FINISH<br>仕上げ  | DRAWN BY & DATE<br>H.SHIMABUKURO '04/01/07<br>CHECKED BY & DATE<br>K.TOJO '04/01/07<br>APPROVED BY & DATE<br>H. Saito '04/01/07 | CAD FILENAME<br>SD-52559-045.S02   | MATERIAL NO. SEE CHART<br>DRAWING NO. SD-52559-045<br>SHEET NO. 2 OF 2  |  |  |

SD-52559-045.S02



32mm幅キャリアテープ  
32mm WIDTH CARRIER TAPE

|    |      |      |      |      |            |    |
|----|------|------|------|------|------------|----|
| 32 | 37.4 | 33.4 | 18.9 | 21.8 | 52559-3334 | 33 |
|    |      |      | 16.4 | 19.3 | 52559-2834 | 28 |
|    |      |      | 14.9 | 17.8 | 52559-2534 | 25 |
|    |      |      | 14.4 | 17.3 | 52559-2434 | 24 |

|  |                      |                                       |   |   |       |              |                        |           |              |               |  |
|--|----------------------|---------------------------------------|---|---|-------|--------------|------------------------|-----------|--------------|---------------|--|
| SEE SHEET 1 OF 3<br>EC NO: J2013-1014<br>DRWN:NASUNUMA 2013/02/23<br>CHKD:KTAKAHASHI 2013/02/23<br>APPR:KMORIKAWA 2013/03/15 | DESCRIPTION<br>REV 0 | GENERAL TOLERANCES (UNLESS SPECIFIED) | MODEL No.52559-**-34  | キャリアテープ幅<br>CARRIER TAPE WIDTH                          | D     | C            | (B)                    | (A)       | MATERIAL NO. | 種数<br>CIRCUIT |  |
|  |                      | 10 UNDER ±0.2                         | MM ONLY   | DIMENSION STYLE   | SCALE | DESIGN UNITS | THIRD ANGLE PROJECTION |           |              |               |  |
|  |                      | 10 OVER 30 UNDER ±0.25                | DRAWN BY DATE   | TITLE   |       |              |                        |           |              |               |  |
|  |                      | 30 OVER ±0.3                          | CHECKED BY DATE   | EMBOSS PACKAGED FOR 0.5MM FPC CONN ZIF S/T HOUSING ASSY |       |              |                        |           |              |               |  |
|  |                      | ANGULAR ±3 °                          | APPROVED BY DATE  | molex   |       |              |                        |           |              |               |  |
| DRAFT WHERE APPLICABLE MUST REMAIN WITHIN DIMENSIONS   | MATERIAL NO.         | SEE CHART                             | DOCUMENT NO.  | SD-52559-059  |       |              |                        | SHEET NO. | 3 OF 3       |               |  |
|  |                      | SIZE A3                               | THIS DRAWING CONTAINS INFORMATION THAT IS PROPRIETARY TO MOLEX INCORPORATED AND SHOULD NOT BE USED WITHOUT WRITTEN PERMISSION |   |       |              |                        |           |              |               |  |