

基板取り付け推奨寸法 (マウント面)  
(基板厚: t.l.6mm)  
RECOMMENDED P.C. BOARD HOLE  
DIM. (MOUNTING SIDE)  
(THK.: t.l.6mm)

注記  
NOTES

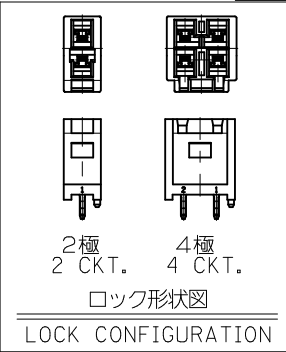
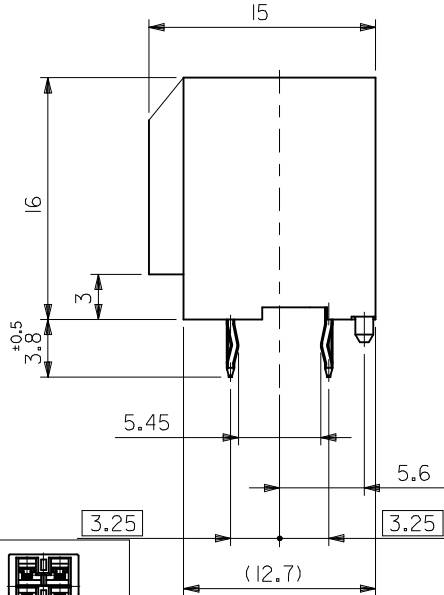
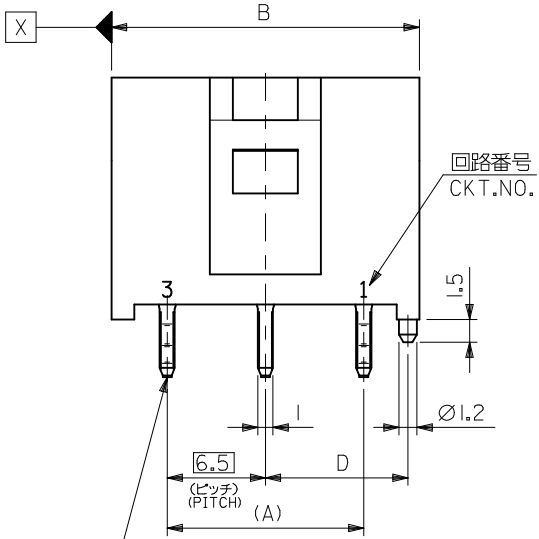
- 嵌合相手: 51142シリーズ  
MATE WITH: 51142 SERIES
- 材質 MATERIAL  
ピン: 銅合金、ニッケル下地錫めっき (1μm以上)  
PIN: COPPER ALLOY, TIN OVER NICKEL PLATED (1μm MIN.)  
ヘッダー: ポリアミド(PA)、ガラス充填、UL94V-0  
HEADER: POLYAMIDE(PA), GLASS FILLED, UL94V-0
- 6極のキップは、両端の4ピンに付加。  
KINK FOR 6 CKT. TO BE APPLIED ON 4 PIN OF BOTH SIDES.
- 53728-\*\*-19は、53728-\*\*-10の鉛フリー品である。  
53728-\*\*-19 IS LEAD FREE TYPE OF 53728-\*\*-10.  
53728-\*\*-6\*は、53728-\*\*-1\*の鉛フリー品である。  
53728-\*\*-6\* IS LEAD FREE TYPE OF 53728-\*\*-1\*.
- ELV AND RoHS COMPLIANT.

6. オーダー番号 ORDER NO.

53728-\*\*\*\*

極数 色  
CIRCUIT SIZE COLOR

HSG COLOR	NO.
WHITE	19
BLACK	61
RED	62
YELLOW	63
BLUE	64
GRAY	65
GREEN	66
ORANGE	68
PINK	69
BROWN	81
PURPLE	82
MINT	83



9.42	7.34	20.34	13	53728-06**	6
6.17	10.74	13.84	6.5	53728-04**	4
2.92	7.34	7.34	—	53728-02**	2
D	C	B	A	TRAY PACKAGE	極数 CKT.
					ORDER NO.

REVISED EC NO: J2014-0511 DRWN: MIKEDA01 2013/09/19 CHKD: KASAKAWA 2013/10/07 APPR: NUKITA 2013/10/08	GENERAL TOLERANCES (UNLESS SPECIFIED)		DIMENSION STYLE MM ONLY		SCALE ---	DESIGN UNITS METRIC		THIRD ANGLE PROJECTION	
	10 UNDER ± 0.2 10 OVER 30 UNDER ± 0.25 30 OVER ± 0.3	DRAWN BY M. NABEI		DATE '04/3/26		TITLE 6.5 W/B CONN HEADER ASSY (WITH BOSS WITH KINK)			
	ANGULAR ± --- ° DRAFT WHERE APPLICABLE MUST REMAIN WITHIN DIMENSIONS	CHECKED BY K. TOJO		DATE '04/3/26		molex SD-53728-008			
		APPROVED BY M. SASAO		DATE '04/3/26					
	THIS DRAWING CONTAINS INFORMATION THAT IS PROPRIETARY TO MOLEX INCORPORATED AND SHOULD NOT BE USED WITHOUT WRITTEN PERMISSION								