

DO NOT SCALE DRAWING DIMENSION IN METRIC

DWG. NO. SD-68154-001

SIMILAR ITEM

PROJECT NO.

B

NO. PART NAME PART No. MATERIAL REMARK

NO.	PART NAME	PART No.	MATERIAL	REMARK
1	COVER	68154-0091	PP	BLACK
2	PIN-A	35488-9002	BRASS	TIN PLATING
3	PIN-B	35488-9102	BRASS	TIN PLATING
4	RESISTOR	---	---	510Ω ±5%

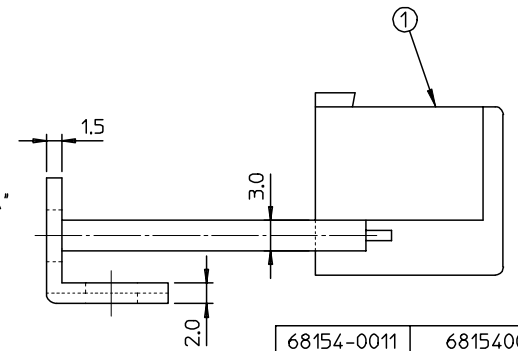
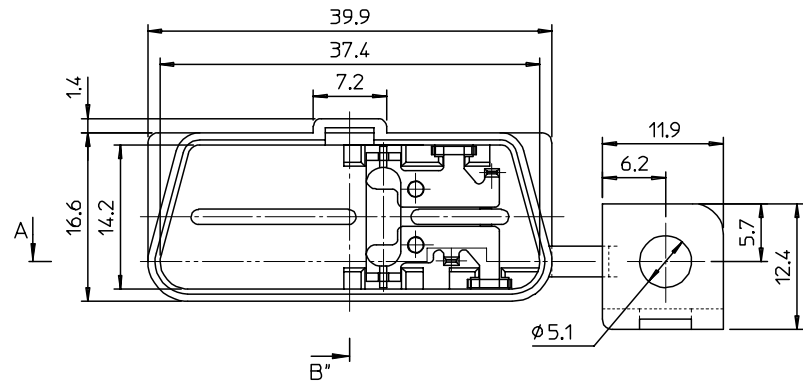
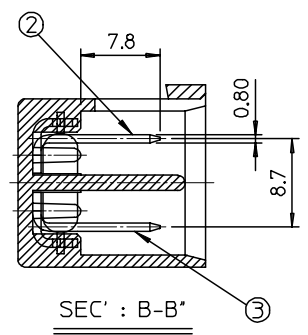
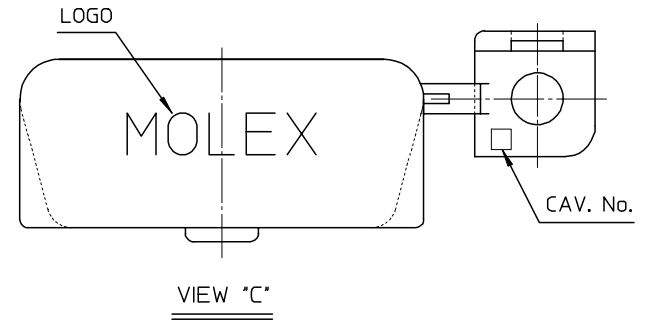
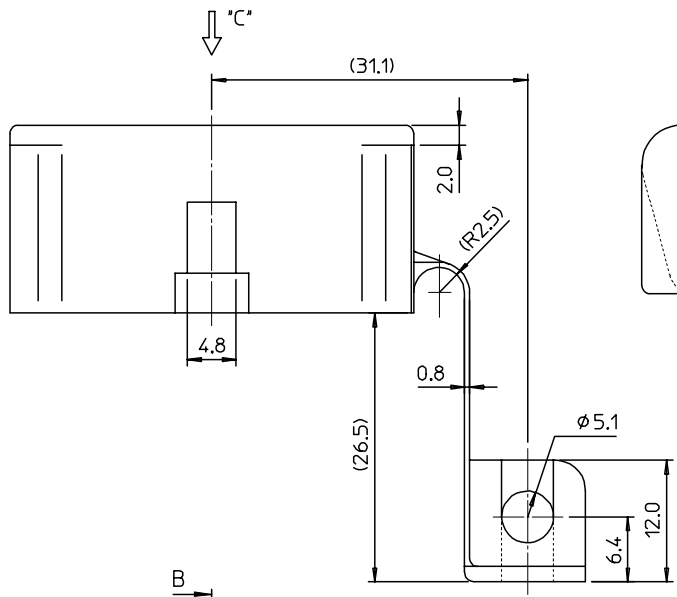
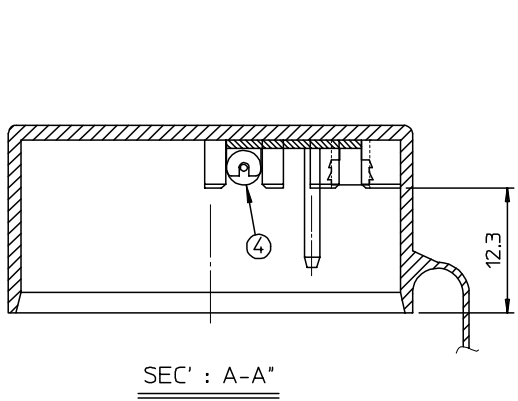
CHANGED BOARD	ECN NO. KOR2003-0261	DRWN. S.M.KIM 04/12/24	CHK. B.C.YOON	APPR. C.W.LEE
REV	DESCRIPTION			
C				

QUALITY SYMBOLS
MAJOR
CRITICAL

GENERAL TOLERANCES: (UNLESS SPECIFIED)	
4 PLACES	±0.15 ±-
3 PLACES	±0.10 ±-
2 PLACES	±0.05 ±-
1 PLACE	±0.20 ±-
ANGULAR: ± 1°	
DRAFT WHERE APPLICABLE MUST REMAIN WITHIN DIMENSIONS	

SCALE	DESIGN UNITS
2/1	<input checked="" type="checkbox"/> mm <input type="checkbox"/> INCH
DRAWN BY & DATE	
J.S.KANG 00/01/06	
CHECKED BY & DATE	
B.K.CHOI 00/01/06	
APPROVED BY & DATE	
C.W.LEE 00/01/06	
CAD FILENAME	MATERIAL NO.
E68154AB.MI	SEE TABLE

THIRD ANGLE PROJECTION		TITLE:	
<input checked="" type="checkbox"/> mm <input type="checkbox"/> INCH		OBDII DUMMY PLUG ASS'Y (RESISTOR A-PULL UP)	
SHT		REV	
REVISE ON CAD ONLY		MOLEX INCORPORATED	
DRAWING NO.	SHEET NO.		
SD-68154-001	1 of 1		



68154-0011	681540011
PART No.	MATERIAL No.

THIRD ANGLE PROJECTION	THIRD ANGLE PROJECTION
------------------------	------------------------

MOLEX	MOLEX INCORPORATED
-------	--------------------

CAD FILENAME	MATERIAL NO.	DRAWING NO.	SHEET NO.
E68154AB.MI	SEE TABLE	SD-68154-001	1 of 1

THIS DRAWING CONTAINS INFORMATION THAT IS PROPRIETARY TO MOLEX INCORPORATED AND SHOULD NOT BE USED WITHOUT WRITTEN PERMISSION.