

**PLEASE CHECK WWW.MOLEX.COM FOR LATEST PART INFORMATION**

**Part Number:** **0713492023**  
**Status:** **Active**  
**Overview:** C-Grid® Products  
**Description:** 2.54mm Pitch C-Grid Header, Surface Mount, Dual Row, Vertical, Shrouded, 50 Circuits, Tin (Sn) Plating, with Press-fit Plastic Pegs

**Documents:**

<a href="#">3D Model</a>	<a href="#">Product Specification TS-70541-001-001 (PDF)</a>
<a href="#">Drawing (PDF)</a>	<a href="#">Packaging Specification PK-70873-0018 (PDF)</a>
<a href="#">Product Specification PS-71349-001-001 (PDF)</a>	<a href="#">RoHS Certificate of Compliance (PDF)</a>

**Agency Certification**

UL E29179

**General**

Product Family	PCB Headers
Series	71349
Application	Signal, Wire-to-Board
Overview	C-Grid® Products
Product Name	C-Grid
UPC	800754848299

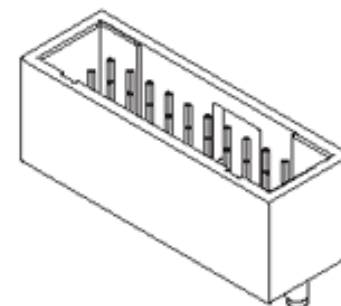
**Physical**

Breakaway	No
Circuits (Loaded)	50
Circuits (maximum)	50
Color - Resin	Black
Durability (mating cycles max)	25
First Mate / Last Break	No
Flammability	94V-0
Glow-Wire Compliant	No
Guide to Mating Part	No
Keying to Mating Part	None
Lock to Mating Part	Yes
Material - Metal	Brass, Phosphor Bronze
Material - Plating Mating	Tin
Material - Plating Termination	Tin
Material - Resin	High Temperature Thermoplastic
Number of Rows	2
Orientation	Vertical
PCB Locator	Yes
PCB Retention	Yes
Packaging Type	Tube
Pitch - Mating Interface	2.54mm
Pitch - Termination Interface	2.54mm
Plating min - Mating	3.810µm
Plating min - Termination	3.810µm
Polarized to Mating Part	Yes
Shrouded	Fully
Stackable	No
Temperature Range - Operating	-40°C to +105°C
Termination Interface: Style	Surface Mount

**Electrical**

Current - Maximum per Contact	3.0A
Voltage - Maximum	250V

**Solder Process Data**



Series image - Reference only

**EU ELV**

**Not Relevant**

**EU RoHS**

**Not Reviewed**

**REACH SVHC**

Not Reviewed

**Halogen-Free**

**Status**

**Not Reviewed**

**Need more information on product environmental compliance?**

Email [productcompliance@molex.com](mailto:productcompliance@molex.com)  
Please visit the [Contact Us](#) section for any non-product compliance questions.

China ROHS	Not Reviewed
ELV	Not Relevant
RoHS Phthalates	Not Reviewed

**Search Parts in this Series**

71349 Series

Duration at Max. Process Temperature (seconds)	030
Lead-freeProcess Capability	REFLOW
Max. Cycles at Max. Process Temperature	003
Process Temperature max. C	245

**Material Info**

**Reference - Drawing Numbers**

Packaging Specification	PK-70873-0018
Product Specification	PS-71349-001-001, TS-70541-001-001
Sales Drawing	SDA-71349-****

This document was generated on 10/19/2017

**PLEASE CHECK [WWW.MOLEX.COM](http://WWW.MOLEX.COM) FOR LATEST PART INFORMATION**