

PLEASE CHECK WWW.MOLEX.COM FOR LATEST PART INFORMATION

Part Number: [0746952502](#)

Status: **Active**

Overview: VHDM-HSD™ Backplane Connectors

Description: VHDM-HSD™ Backplane Header, 2.00mm Pitch, 5-Row, Open Module, 100 Circuits, Pin Length 6.25mm. Series:74702 Enables designers to create custom loaded connectors utilizing standard pin lengths 4.25, 4.75, 5.15 and 6.25mm

Documents:

[Drawing \(PDF\)](#)

[Product Specification PS-74031-999 \(PDF\)](#)

[Packaging Specification PK-74695-003 \(PDF\)](#)

[RoHS Certificate of Compliance \(PDF\)](#)

Agency Certification

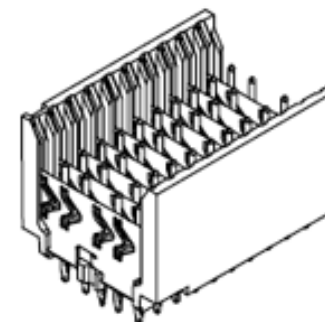
| | |
|-----|---------|
| CSA | LR19980 |
| UL | E29179 |

General

| | |
|-------------------------------|--|
| Product Family | Backplane Connectors |
| Series | 74695 |
| Application | Backplane |
| Application Tooling Documents | TM-622010999 |
| Comments | Open Header |
| Component Type | PCB Header |
| Overview | VHDM-HSD™ Backplane Connectors |
| Product Name | VHDM-HSD™ |
| UPC | 800756620855 |

Physical

| | |
|--------------------------------|--------------------------------|
| Circuits (Loaded) | 100 |
| Circuits (maximum) | 100 |
| Color - Resin | Black |
| Durability (mating cycles max) | 200 |
| First Mate / Last Break | No |
| Flammability | 94V-0 |
| Guide to Mating Part | No |
| Keying to Mating Part | None |
| Material - Metal | High Performance Alloy (HPA) |
| Material - Plating Mating | Gold |
| Material - Plating Termination | Matte Tin |
| Material - Resin | High Temperature Thermoplastic |
| Net Weight | 9.467/g |
| Number of Columns | 25 |
| Number of Pairs | Open Pin Field |
| Number of Rows | 5 |
| Orientation | Vertical |
| PC Tail Length | 2.50mm |
| PCB Locator | No |
| PCB Retention | None |
| PCB Thickness - Recommended | 1.80mm |
| Packaging Type | Tube |
| Pitch - Mating Interface | 2.00mm |
| Pitch - Termination Interface | 2.00mm |
| Plating min - Mating | 0.762µm |
| Plating min - Termination | 0.762µm |
| Polarized to PCB | Yes |
| Surface Mount Compatible (SMC) | Yes |
| Temperature Range - Operating | -55°C to +105°C |
| Termination Interface: Style | Through Hole - Compliant Pin |



Series image - Reference only

EU ELV

Not Relevant

EU RoHS

Compliant

REACH SVHC

Not Contained Per - ED/21/2016 (20 June 2016)

Halogen-Free

Status

Low-Halogen

Need more information on product environmental compliance?

Email productcompliance@molex.com
Please visit the [Contact Us](#) section for any non-product compliance questions.

China ROHS

ELV

Green Image

Not Relevant

Search Parts in this Series

[74695 Series](#)

Mates With

[74670 VHDM-HSD™ Daughtercard](#)

Application Tooling | FAQ

Tooling specifications and manuals are found by selecting the products below. Crimp Height Specifications are then contained in the Application Tooling Specification document.

Global

| Description | Product # |
|--|----------------------------|
| Signal Header, 5-Row by 25-Wide, 50.00mm | 0622020202 |
| Signal Pin Inserter Repair Tool | 0622015700 |
| 5-Row Pin and Shield Repair Tool | 0622015810 |

Electrical

| | |
|-------------------------------|---------------------|
| Current - Maximum per Contact | 1.0A |
| Data Rate | 5.0 Gbps |
| Shield Type | Ground Plane Shield |
| Shielded | Yes |
| Voltage - Maximum | 120V AC (RMS)/DC |

Solder Process Data

| | |
|------------------------------|-----|
| Lead-free Process Capability | N/A |
|------------------------------|-----|

Material Info**Reference - Drawing Numbers**

| | |
|-------------------------|--------------|
| Packaging Specification | PK-74695-003 |
| Product Specification | PS-74031-999 |
| Sales Drawing | SD-74695-002 |

Note: HDM, HDM+, VHDM, VHDM-HSD and GbX are trademarks or registered trademarks of Amphenol TCS.

This document was generated on 09/30/2016

PLEASE CHECK WWW.MOLEX.COM FOR LATEST PART INFORMATION