

DATE CODE LOCATION
SEE NOTE 7

NOTES:

1. MATERIAL:

CAGE: NICKEL SILVER, THICKNESS: 0.25mm
 CONNECTOR HOUSING: GLASS FILLED LIQUID CRYSTAL POLYMER (LCP), UL 94V-0,
 COLOR: BLACK
 OVERMOLD TERMINAL HOUSING: GLASS FILLED LIQUID CRYSTAL POLYMER (LCP),
 UL 94V-0, COLOR: BLACK
 TERMINALS: TIN BRASS

2. FINISHES:

TERMINALS: CONTACT AREA: 0.76 MICROMETERS MINIMUM HARD GOLD
 OVER 1.27 MICROMETERS MINIMUM NICKEL.
 COMPLIANT TAIL - MATTE TIN/LEAD OPTION: 0.76 TO 1.52 MICROMETERS
 90/10 MATTE TIN-LEAD OVER 0.76 MICROMETERS MINIMUM NICKEL.
 COMPLIANT TAIL - MATTE TIN OPTION: 0.76 TO 1.52 MICROMETERS
 MATTE TIN OVER 0.76 MICROMETERS MINIMUM NICKEL.

3. REFER TO PS-75310-001 FOR ALL ELECTRICAL,
 MECHANICAL AND ENVIRONMENTAL SPECIFICATIONS.

4. REFER TO PK-75462-001 FOR ALL PACKAGING SPECIFICATIONS.

5. THE CURVED TAILS THAT GO INTO THE HOLES LOCATED BY THESE DIMENSIONS
 ARE BEING ELIMINATED. TO ACCOMMODATE THIS CONVERSION, IT IS RECOMMENDED
 THAT BOARDS DESIGNED TO THIS PRINT REVISION INCLUDE THESE HOLES.

6. THE SURFACES CONFORM TO THE MOLEX COSMETIC SPEC PS-45499-002.
 ALL EXTERIOR SURFACES TO BE CLASS "B" SURFACE EXCEPT THE
 UNDERSIDE (CLASS "C") OF THE CAGE (SIDE TOWARD THE PCB) AND
 AS OTHERWISE NOTED.

7. DATE CODE LOCATION IS SHOWN ABOVE.

DATE CODE FORMAT: DDDY MX A1

DDD = DAY OF THE YEAR

Y = YEAR

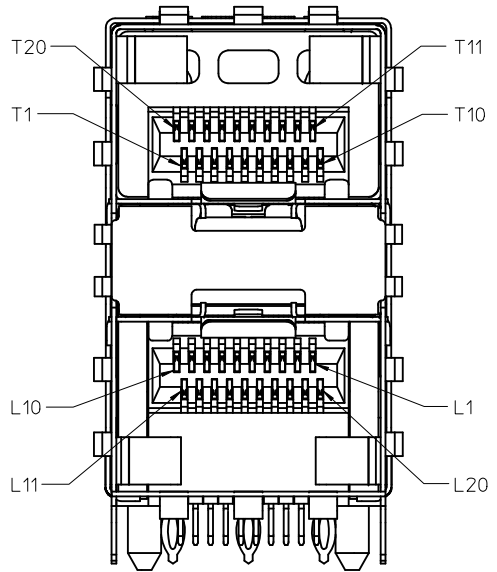
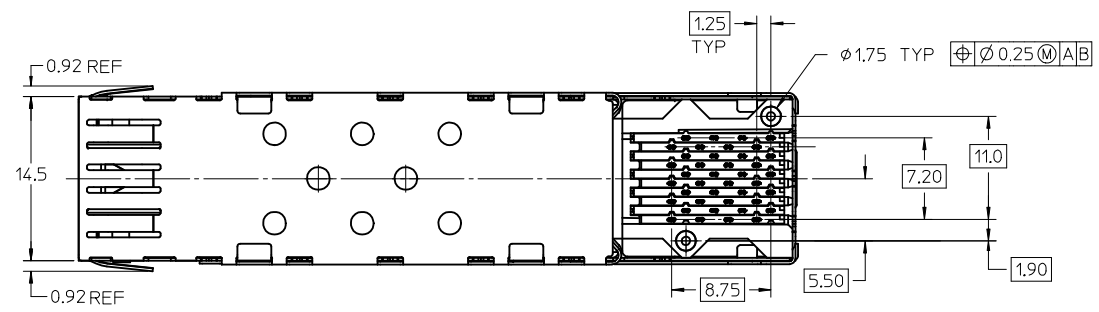
MX = MOLEX

A = ALPHA CHARACTER - INDICATES MANUFACTURING LINE

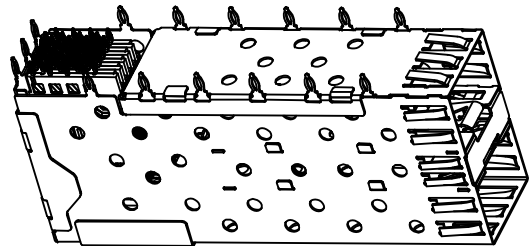
1 = NUMERIC CHARACTER - INDICATES PRODUCTION SHIFT

PART NUMBER	COMPLIANT TAIL PLATING
754620001	MATTE TIN / LEAD
754625001	MATTE TIN

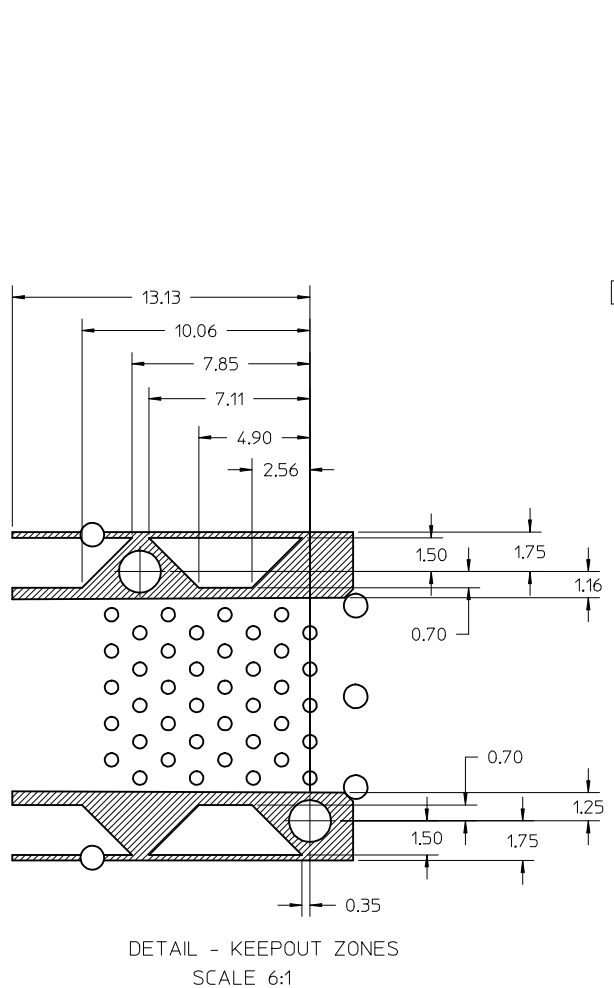
CLARIFY PCB ZONES EC NO: UCP2013-5614 DRW:BBARKER 2013/07/05 CHKD:DMORGAN 2013/07/08 APPR:SMILLER 2013/07/31	QUALITY SYMBOLS 	GENERAL TOLERANCES (UNLESS SPECIFIED)		DIMENSION STYLE MM ONLY		SCALE 3:1	DESIGN UNITS METRIC	THIRD ANGLE PROJECTION																															
		<table border="1"> <thead> <tr> <th></th> <th>mm</th> <th>INCH</th> </tr> </thead> <tbody> <tr> <td>4 PLACES ±</td> <td>---</td> <td>±---</td> </tr> <tr> <td>3 PLACES ±</td> <td>---</td> <td>±---</td> </tr> <tr> <td>2 PLACES ±</td> <td>0.13</td> <td>±---</td> </tr> <tr> <td>1 PLACE ±</td> <td>0.25</td> <td>±---</td> </tr> <tr> <td>0 PLACE ±</td> <td></td> <td>±</td> </tr> </tbody> </table>		mm	INCH	4 PLACES ±	---	±---	3 PLACES ±	---	±---	2 PLACES ±	0.13	±---	1 PLACE ±	0.25	±---	0 PLACE ±		±	<table border="1"> <thead> <tr> <th>DRAWN BY</th> <th>DATE</th> </tr> </thead> <tbody> <tr> <td>BBARKER</td> <td>2013/07/05</td> </tr> <tr> <th>CHECKED BY</th> <th>DATE</th> </tr> <tr> <td></td> <td></td> </tr> <tr> <th>APPROVED BY</th> <th>DATE</th> </tr> <tr> <td></td> <td></td> </tr> </tbody> </table>	DRAWN BY	DATE	BBARKER	2013/07/05	CHECKED BY	DATE			APPROVED BY	DATE			TITLE STACKED SFP 2X1 MEDIUM HEIGHT ASS'Y, PRESS-FIT TAIL WITHOUT LIGHT PIPES				SHEET NO. 1 OF 4	
		mm	INCH																																				
	4 PLACES ±	---	±---																																				
3 PLACES ±	---	±---																																					
2 PLACES ±	0.13	±---																																					
1 PLACE ±	0.25	±---																																					
0 PLACE ±		±																																					
DRAWN BY	DATE																																						
BBARKER	2013/07/05																																						
CHECKED BY	DATE																																						
APPROVED BY	DATE																																						
	MATERIAL NO. SEE TABLE	DOCUMENT NO. SD-75462-100		THIS DRAWING CONTAINS INFORMATION THAT IS PROPRIETARY TO MOLEX INCORPORATED AND SHOULD NOT BE USED WITHOUT WRITTEN PERMISSION																																			



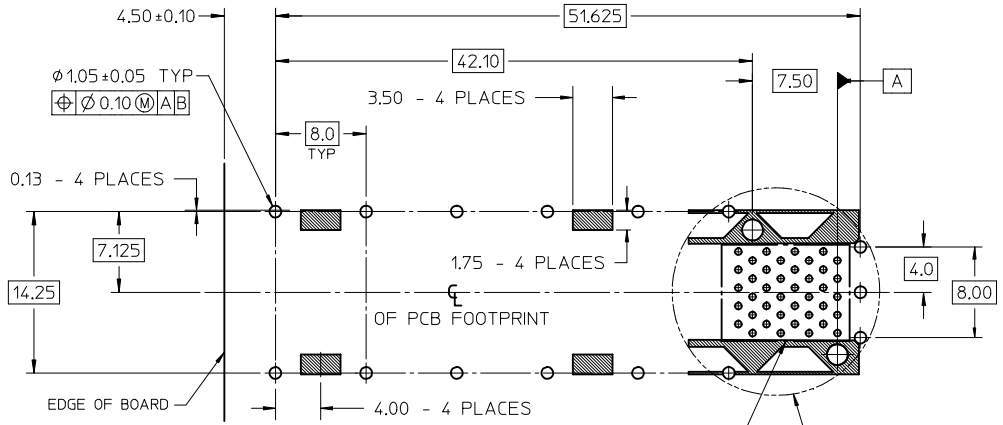
SCALE 5:1
CIRCUIT NUMBERING



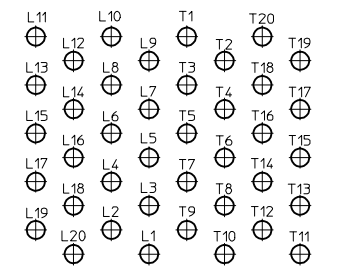
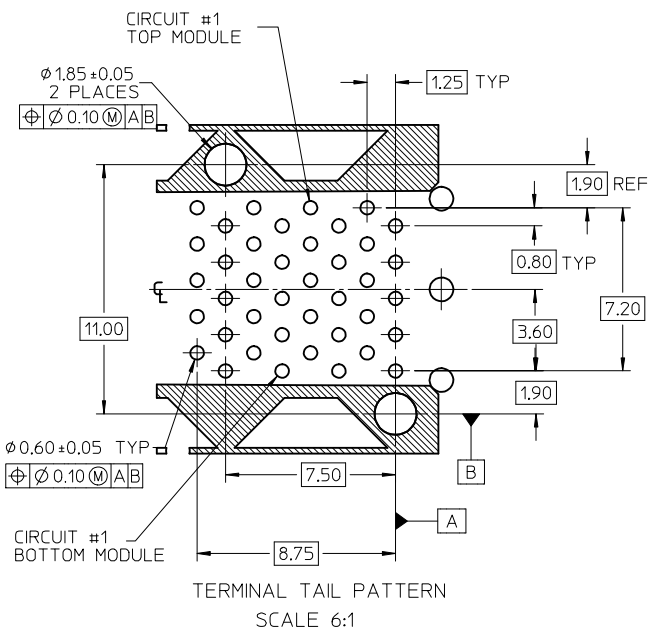
SEE SHEET 1 EC NO: UCP2013-5614 2013/07/05 IDRW:BBARKER 2013/07/08 CHKD:JMORGAN 2013/07/31 APPR:SMILLER	QUALITY SYMBOLS ▽=0 ▽=0 ▽=0	GENERAL TOLERANCES (UNLESS SPECIFIED)		DIMENSION STYLE MM ONLY	SCALE 3:1	DESIGN UNITS METRIC	THIRD ANGLE PROJECTION	
		4 PLACES ± --- ± --- 3 PLACES ± --- ± --- 2 PLACES ± 0.13 ± --- 1 PLACE ± 0.25 ± --- 0 PLACE ± ±	mm INCH	DRAWN BY DATE BBARKER 2013/07/05	TITLE STACKED SFP 2X1 MEDIUM HEIGHT ASS'Y, PRESS-FIT TAIL WITHOUT LIGHT PIPES	molex SD-75462-100		
		ANGULAR ± 5 °	CHECKED BY DATE	APPROVED BY DATE	MATERIAL NO. DOCUMENT NO.			
		DRAFT WHERE APPLICABLE MUST REMAIN WITHIN DIMENSIONS	SEE TBL, SHT 1	THIS DRAWING CONTAINS INFORMATION THAT IS PROPRIETARY TO MOLEX INCORPORATED AND SHOULD NOT BE USED WITHOUT WRITTEN PERMISSION				



THE HATCHED AREA IN THIS VIEW INDICATES ZONES THAT ARE OCCUPIED BY THE PLASTIC HOUSING THAT SEATS AGAINST THE PCB AND BY THE VERTICAL METAL CAGE WALL THAT STOPS JUST SHORT OF THE PCB

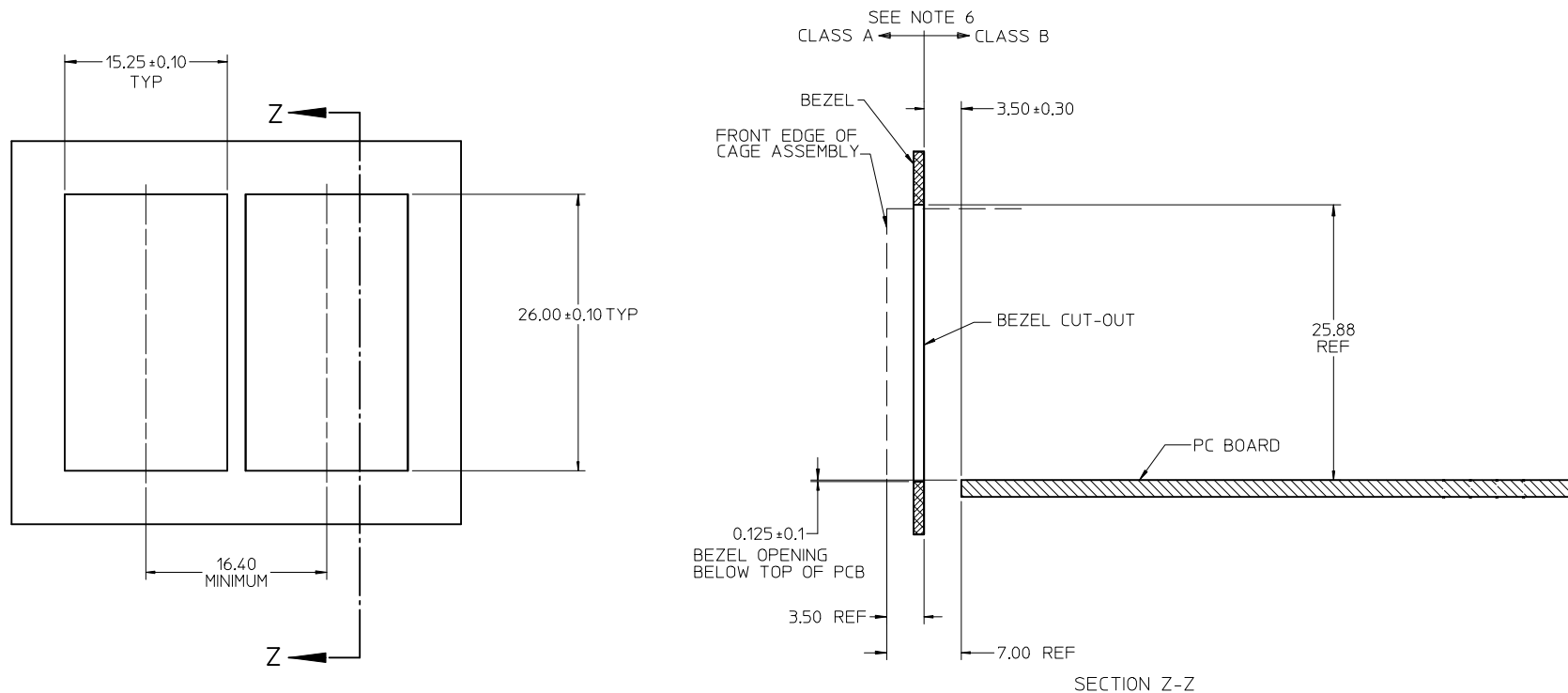


RECOMMENDED PCB LAYOUT - COMPONENT SIDE
 RECOMMENDED PCB THICKNESS: 2.36 MM (.093 INCH)
 (MINIMUM PCB THICKNESS: 1.57)
 THE ENTIRE AREA OF THE CONNECTOR FOOTPRINT TO BE CONSIDERED THE KEEP OUT AREA FOR COMPONENTS
 THIS AREA IS INDICATED BY THE DASHED LINE



CIRCUIT NUMBERING
 COMPONENT SIDE OF BOARD
 SCALE 8:1

SEE SHEET 1 EC NO: UCP2013-5614 DRWN:BBARKER 2013/07/05 CHKD:DMORGAN 2013/07/08 APPR:SMILLER 2013/07/31	QUALITY SYMBOLS 	GENERAL TOLERANCES (UNLESS SPECIFIED)		DIMENSION STYLE MM ONLY	SCALE 3:1	DESIGN UNITS METRIC	THIRD ANGLE PROJECTION		
		4 PLACES ± --- ± --- 3 PLACES ± --- ± --- 2 PLACES ± 0.13 ± --- 1 PLACE ± 0.25 ± --- 0 PLACE ± ±	mm INCH ± --- ± --- ± --- ± --- ± 0.13 ± --- ± 0.25 ± --- ± ±	DRAWN BY BBARKER	DATE 2013/07/05	TITLE STACKED SFP 2X1 MEDIUM HEIGHT ASS'Y, PRESS-FIT TAIL WITHOUT LIGHT PIPES			
		MATERIAL NO. SEE TBL, SHT 1		DATE DATE	DOCUMENT NO. SD-75462-100	SHEET NO. 3 OF 4			
		DRAFT WHERE APPLICABLE MUST REMAIN WITHIN DIMENSIONS		APPROVED BY DATE		THIS DRAWING CONTAINS INFORMATION THAT IS PROPRIETARY TO MOLEX INCORPORATED AND SHOULD NOT BE USED WITHOUT WRITTEN PERMISSION			



BEZEL CUT-OUT CENTER SPACING DETAIL
BEZEL THICKNESS 0.8 - 2.6

SEE SHEET 1 EC NO: UCP2013-5614 DRWN:BBARKER 2013/07/05 CHKD:MORGAN 2013/07/08 APPR:SMILLER 2013/07/31	QUALITY SYMBOLS	GENERAL TOLERANCES (UNLESS SPECIFIED)	DIMENSION STYLE MM ONLY	SCALE 3:1	DESIGN UNITS METRIC	THIRD ANGLE PROJECTION
	▽=0	4 PLACES ± --- ± ---	DRAWN BY DATE BBARKER 2013/07/05	TITLE STACKED SFP 2X1 MEDIUM HEIGHT ASS'Y, PRESS-FIT TAIL WITHOUT LIGHT PIPES		
	▽=0	3 PLACES ± --- ± ---	CHECKED BY DATE	molex MATERIAL NO. DOCUMENT NO. SD-75462-100 SHEET NO. 4 OF 4		
	▽=0	2 PLACES ± 0.13 ± ---	APPROVED BY DATE			
▽=0	1 PLACE ± 0.25 ± ---	0 PLACE ± ±	ANGULAR ± 5 °	DRAFT WHERE APPLICABLE MUST REMAIN WITHIN DIMENSIONS SEE TBL, SHT 1 THIS DRAWING CONTAINS INFORMATION THAT IS PROPRIETARY TO MOLEX INCORPORATED AND SHOULD NOT BE USED WITHOUT WRITTEN PERMISSION		