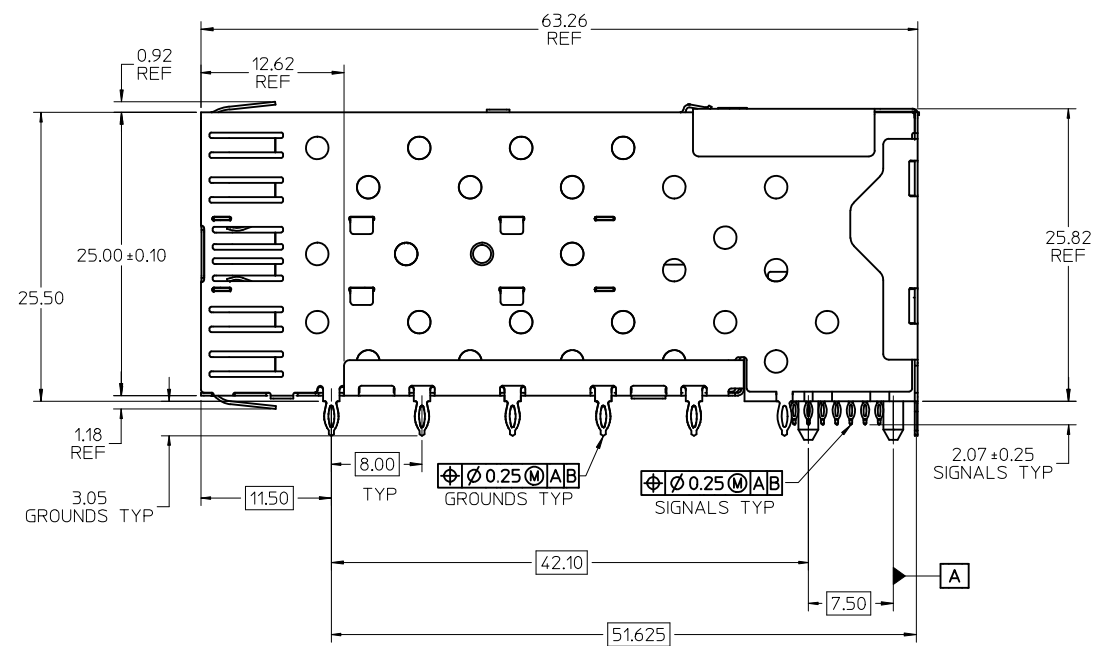
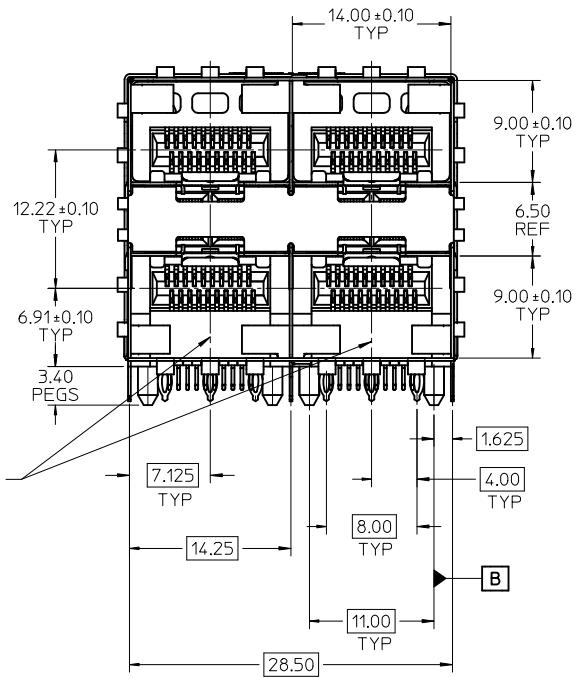
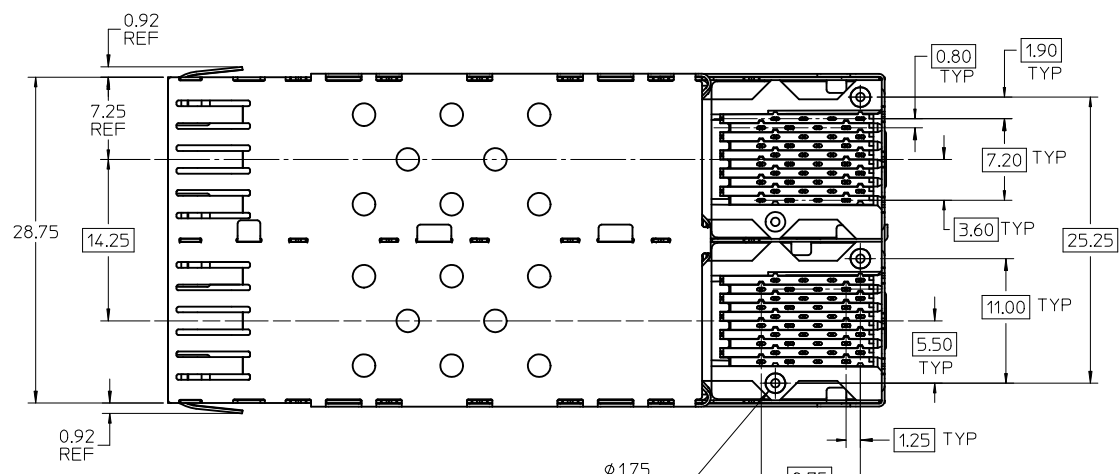


DATE CODE
LOCATIONS
SEE NOTE 8

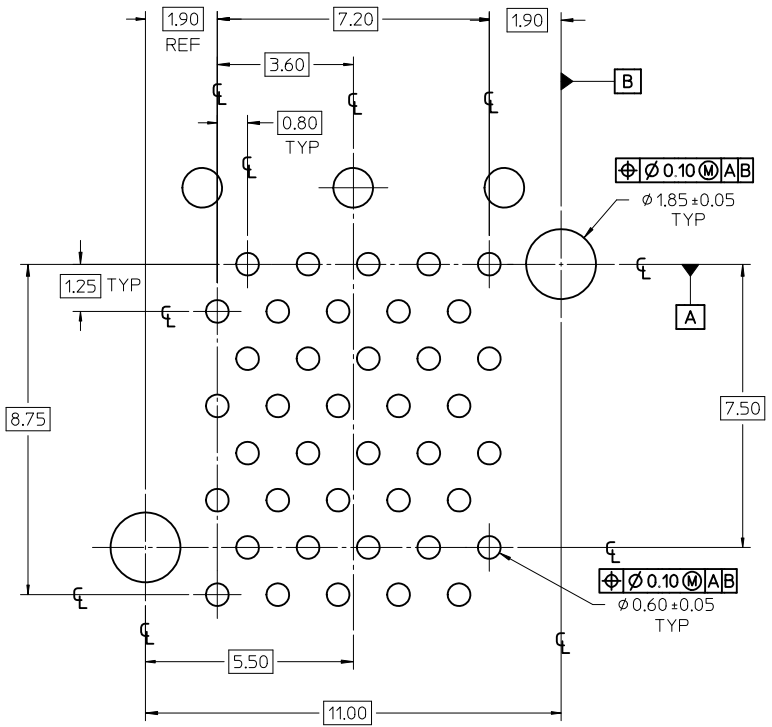


- NOTES:
- MATERIAL:
CAGE: NICKEL SILVER, THICKNESS: 0.25mm
CONNECTOR HOUSING: GLASS FILLED HIGH TEMP PLASTIC, 94 V-0, COLOR: BLACK
OVERMOLDED TERMINAL HOUSING: GLASS FILLED HIGH TEMP PLASTIC, 94 V-0, COLOR: BLACK
TERMINALS: TIN BRASS
LIGHT PIPES: POLYCARBONITE, 94 V-0, COLOR: CLEAR
LIGHT PIPE HOUSING: ZINC
 - FINISH:
LIGHT PIPE HOUSING: 150 MICROMETERS NICKEL OVER 150 MICROMETERS COPPER
TERMINALS: CONTACT AREA: 0.76 MICROMETERS MINIMUM HARD GOLD OVER 1.27 MICROMETERS NICKEL.
COMPLIANT TAIL: MATTE TIN-LEAD OPTION: 0.76 TO 1.52 MICROMETERS 90/10 MATTE TIN-LEAD OVER 0.76 TO 1.52 MICROMETERS NICKEL
COMPLIANT TAIL: MATTE TIN OPTION: 0.76 TO 1.52 MICROMETERS MATTE TIN OVER 0.76 TO 1.52 MICROMETERS NICKEL
 - REFER TO PS-75310-001 PRODUCT SPEC FOR ALL ELECTRICAL, MECHANICAL AND ENVIRONMENTAL SPECIFICATIONS.
 - LIGHT PIPE PAD LAYOUT IS FOR 0805 LOW-PROFILE LED PACKAGE, FOR OTHER RECOMMENDED LAYOUTS REFER TO MOLEX'S REPORT TS-75310-001.
 - REFER TO PK-75714-001 FOR ALL PACKAGING SPECIFICATIONS.
 - THE CURVED TAILS THAT GO INTO THE HOLES LOCATED BY THESE DIMENSIONS ARE BEING ELIMINATED. TO ACCOMMODATE THIS CONVERSION, IT IS RECOMMENDED THAT BOARDS DESIGNED TO THIS PRINT REVISION INCLUDE THESE HOLES.
 - PART COMPLIES WITH COSMETIC SPECIFICATION PS-45499-002. SEE SHEET 3 SECTION Z-Z FOR SURFACE CLASSIFICATIONS. UNDERSIDE OF CAGE COMPLIES WITH CLASS "C".
 - DATE CODE LOCATION IS SHOWN ABOVE.
DATE CODE FORMAT: DDDY MX A1
DDD = DAY OF THE YEAR
Y = YEAR A = ALPHA CHARACTER - INDICATES MANUFACTURING LINE
MX = MOLEX 1 = NUMERIC CHARACTER - INDICATES PRODUCTION SHIFT

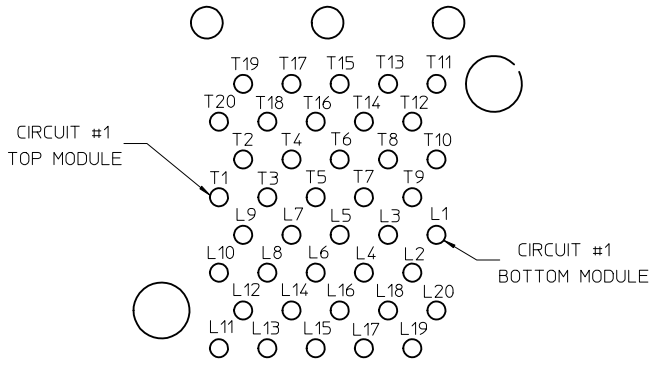


757595001	MATTE TIN
757590001	MATTE TIN-LEAD
MATERIAL NO.	TERMINAL PLATING

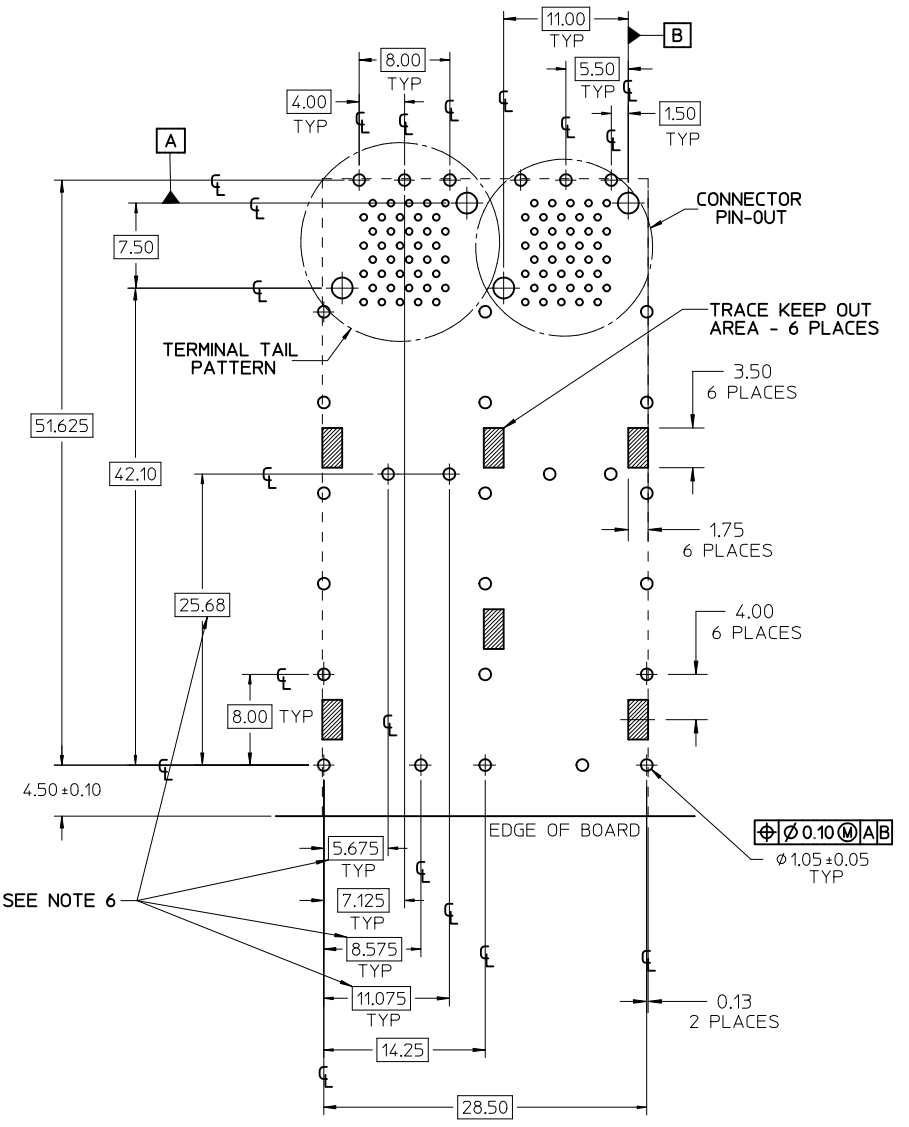
CLARIFY 51.625 DIMNSN EC NO: UCP2012-1572 DRW:BBARKER 2011/11/15 CHKD: APPR:SMILLER 2012/01/09 REV:	QUALITY SYMBOLS	GENERAL TOLERANCES (UNLESS SPECIFIED)	DIMENSION STYLE MM ONLY	SCALE 3:1	DESIGN UNITS METRIC	THIRD ANGLE PROJECTION
	▽=0	4 PLACES ± --- INCH	DRAWN BY DATE JLONG 01-28-2005	STACKED SFP 2X2 MEDIUM HEIGHT ASS'Y, PRESS-FIT TAIL WITHOUT LIGHT PIPES		
	▽=0	3 PLACES ± --- INCH	CHECKED BY DATE JLONG 01-28-2005	MOLEX MOLEX INCORPORATED		
	▽=0	2 PLACES ± 0.13 INCH	APPROVED BY DATE RNELSON 02-15-2005	SD-75759-001		
	▽=0	1 PLACE ± 0.25 INCH	MATERIAL NO. SEE TABLE	DOCUMENT NO. SD-75759-001	SHEET NO. 1 OF 3	
DRAFT WHERE APPLICABLE MUST REMAIN WITHIN DIMENSIONS		ANGULAR ± 5 °	SIZE C	THIS DRAWING CONTAINS INFORMATION THAT IS PROPRIETARY TO MOLEX INCORPORATED AND SHOULD NOT BE USED WITHOUT WRITTEN PERMISSION		



TERMINAL TAIL PATTERN
SCALE 10:1



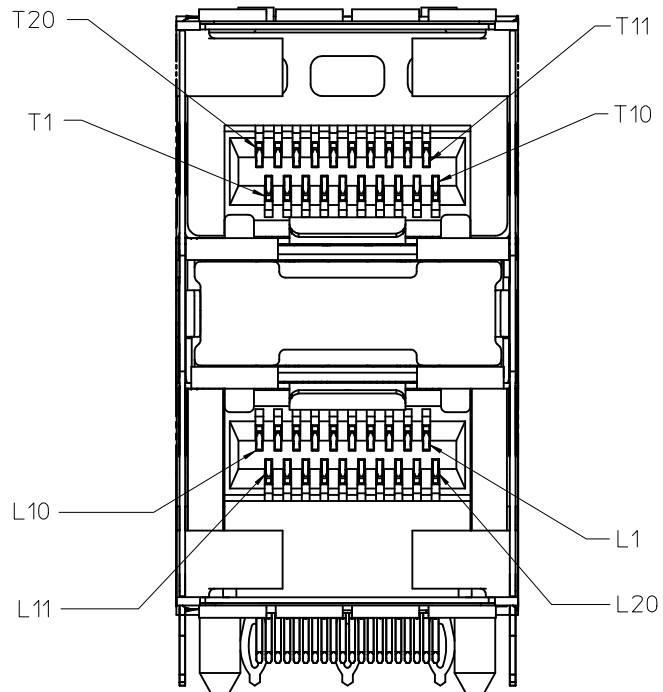
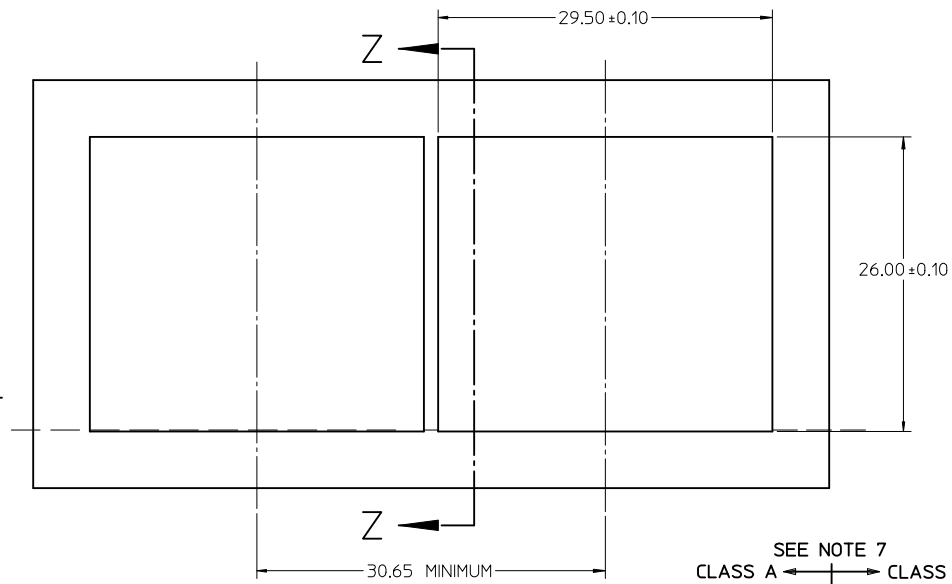
CONNECTOR PIN-OUT
COMPONENT SIDE OF BOARD



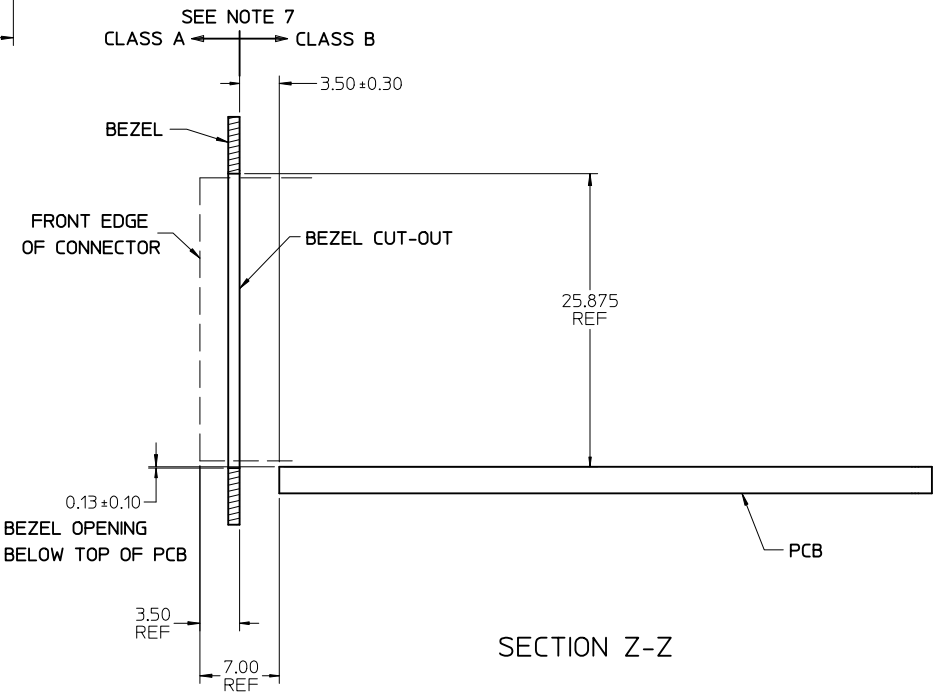
RECOMMENDED PCB LAYOUT - COMPONENT SIDE
RECOMMENDED PCB THICKNESS - 2.36 MM (.093 INCH)
THE ENTIRE AREA OF THE CONNECTOR FOOTPRINT
TO BE CONSIDERED THE KEEP OUT AREA FOR COMPONENTS
THIS AREA IS INDICATED BY THE DASHED LINE

SEE SHEET 1 EC NO: UCP2012-1572 DRAWN: BARKER 2011/11/15 CHKD: APPR: MILLER 2012/01/09	QUALITY SYMBOLS ▽=0 ▽=0 ▽=0	GENERAL TOLERANCES (UNLESS SPECIFIED)		DIMENSION STYLE MM ONLY		SCALE 3:1	DESIGN UNITS METRIC	THIRD ANGLE PROJECTION
		4 PLACES ± ---	± ---	mm	INCH	DRAWN BY JLONG	DATE 01-28-2005	STACKED SFP 2X2 MEDIUM HEIGHT ASS'Y, PRESS-FIT TAIL WITHOUT LIGHT PIPES
3 PLACES ± ---	± ---			CHECKED BY JLONG	DATE 01-28-2005	MOLEX MOLEX INCORPORATED		
2 PLACES ± 0.13	± ---			APPROVED BY RNELSON	DATE 02-15-2005	DOCUMENT NO.		
1 PLACE ± 0.25	± ---			MATERIAL NO.		SHEET NO.		
ANGULAR ± 5 °		DRAFT WHERE APPLICABLE MUST REMAIN WITHIN DIMENSIONS		SEE TABLE, SHT 1		SD-75759-001		
				SIZE		THIS DRAWING CONTAINS INFORMATION THAT IS PROPRIETARY TO MOLEX INCORPORATED AND SHOULD NOT BE USED WITHOUT WRITTEN PERMISSION		

BEZEL CUT-OUT CENTER SPACING DETAIL
BEZEL THICKNESS: 0.8 - 2.6



DETAIL B
SCALE 5:1
CIRCUIT NUMBERING



SEE SHEET 1 EC NO: UCP2012-1572 TDRWIN:BARKER 2011/11/15 CHKD: APPR:SMILLER 2012/01/09	QUALITY SYMBOLS	GENERAL TOLERANCES (UNLESS SPECIFIED)	DIMENSION STYLE	SCALE	DESIGN UNITS	THIRD ANGLE PROJECTION
	▽=0	mm INCH	MM ONLY	3:1	METRIC	
	▽=0	4 PLACES ± --- ± ---	DRAWN BY DATE			
	▽=0	3 PLACES ± --- ± ---	JLONG 01-28-2005			
		2 PLACES ± 0.13 ± ---	CHECKED BY DATE			
		1 PLACE ± 0.25 ± ---	JLONG 01-28-2005			
		ANGULAR ± 5 °	APPROVED BY DATE			
			RNELSON 02-15-2005			
		DRAFT WHERE APPLICABLE MUST REMAIN WITHIN DIMENSIONS	MATERIAL NO.			
			SEE TABLE, SHT 1			
			SIZE C			
			THIS DRAWING CONTAINS INFORMATION THAT IS PROPRIETARY TO MOLEX INCORPORATED AND SHOULD NOT BE USED WITHOUT WRITTEN PERMISSION			

STACKED SFP 2X2 MEDIUM
HEIGHT ASS'Y, PRESS-FIT
TAIL WITHOUT LIGHT PIPES

MOLEX MOLEX INCORPORATED

DOCUMENT NO. SD-75759-001

SHEET NO. 3 OF 3