

10 9 8 7 6 5 4 3 2 1

F

E

D

C

B

A

F

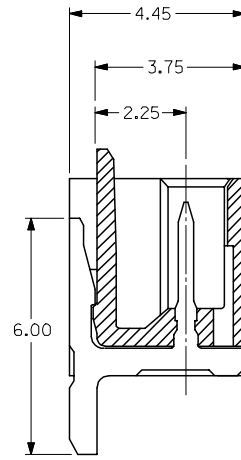
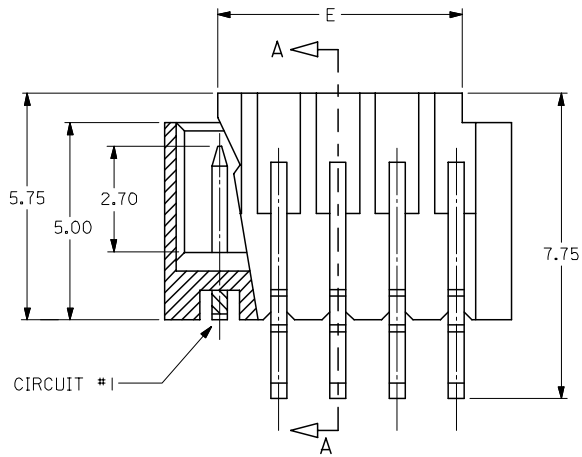
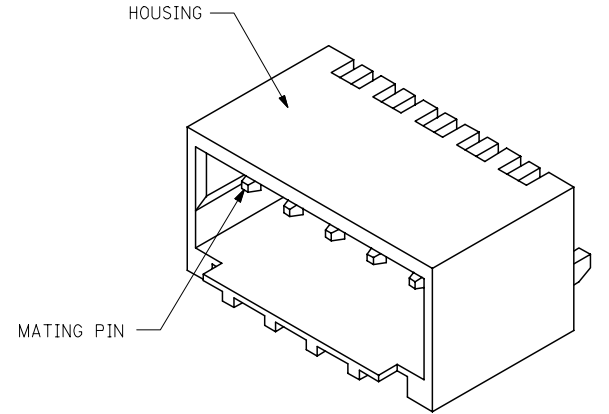
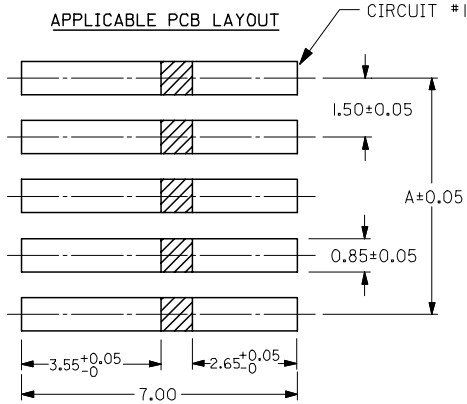
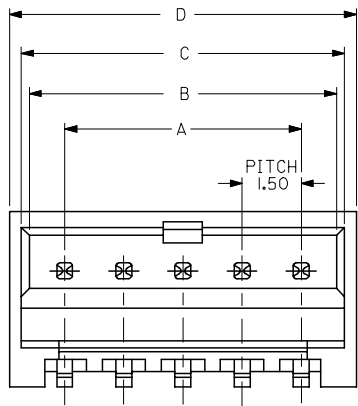
E

D

C

B

A



SECTION A-A

NOTES:

- MATERIALS:
HOUSING : GLASS-FILLED NYLON (PA46), UL RATED 94V-0, COLOR: BEIGE
PINS: BRASS ALLOY, C26000
- PLATING: 2.54MM MIN. TIN/LEAD OR TIN OVER 1.27MM MIN. NICKEL.
- DRAWING SHOWS PLUG WITH 5 CIRCUITS.
- HEADER TO BE USED WITH CRIMP HOUSING, P/N 87439 AND CRIMP TERMINAL, P/N 87421

UPDATE REVISION	DESCRIPTION
EC NO: S2005-0714	2005/10/19
DRWN:KSEE	2005/10/19
CHKD:BLHOW	2005/11/05
APPR:PTLIM	
C1	REV

QUALITY SYMBOLS	▽=0
	∇=0

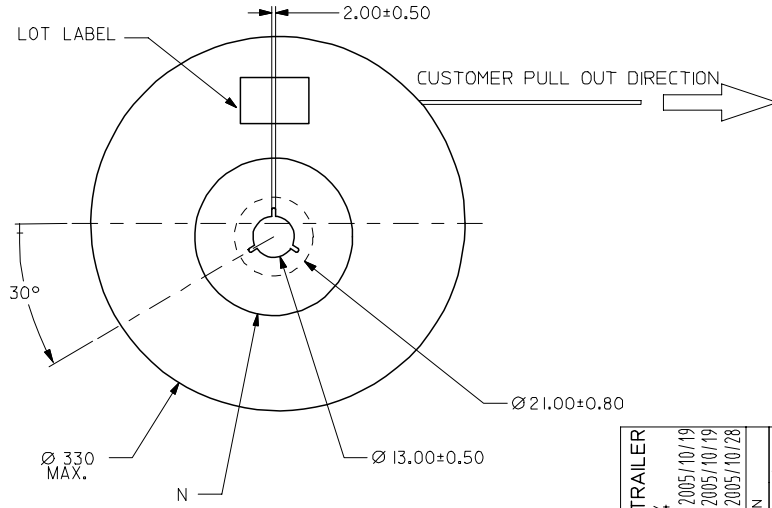
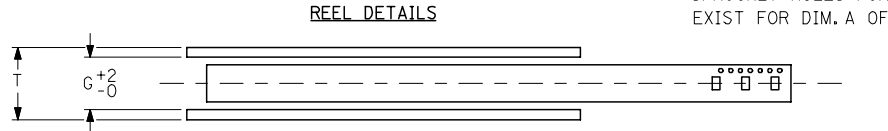
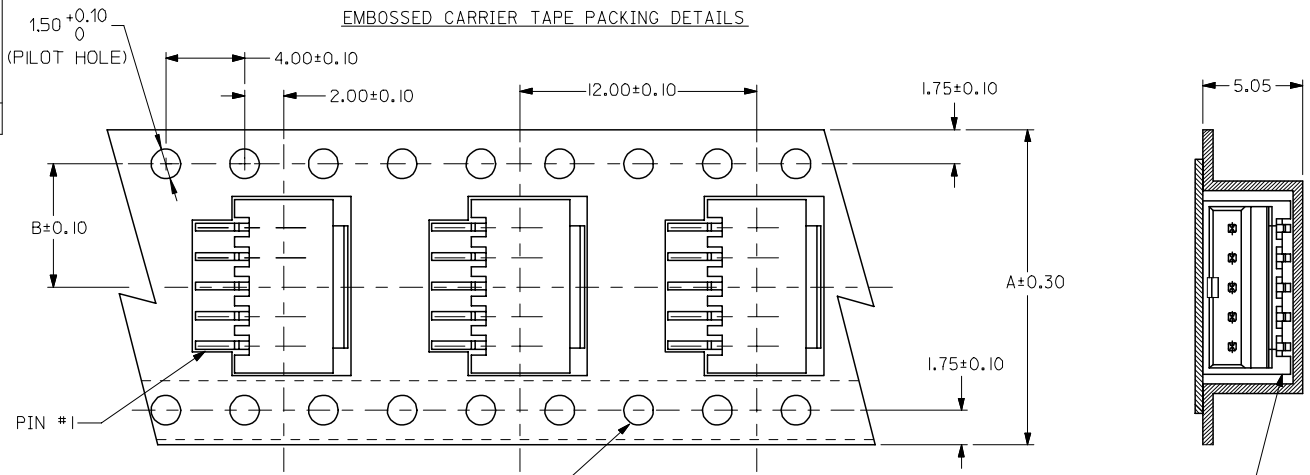
GENERAL TOLERANCES (UNLESS SPECIFIED)	mm	INCH
	4 PLACES ± ---	± ---
	3 PLACES ± ---	± ---
	2 PLACES ± 0.20	± ---
	1 PLACE ± ---	± ---
	ANGULAR ± 3 °	
DRAFT WHERE APPLICABLE MUST REMAIN WITHIN DIMENSIONS		

DIMENSION STYLE		SCALE	DESIGN UNITS	THIRD ANGLE PROJECTION
MM ONLY		NTS	METRIC	
DRAWN BY	DATE	TITLE		
KCLING	1994/04/08	SALES DRAWING		
CHECKED BY	DATE	1.50MM PITCH, W-T-B		
SKTOH	1994/04/21	HEADER, R/A, SMT		
APPROVED BY	DATE	MOLEX INCORPORATED		
ROYWONG	1994/04/24			
MATERIAL NO.	DOCUMENT NO.	SHEET NO.		
SEE TABLE	SD-87438-**31	1 OF 3		

SIZE	THIS DRAWING CONTAINS INFORMATION THAT IS PROPRIETARY TO MOLEX INCORPORATED AND SHOULD NOT BE USED WITHOUT WRITTEN PERMISSION		
A3			

9 8 7 6 5 4 3 2 1

15	44	20.20	100	44.40	50.40
11, 12, 13, 14	32	14.20	100	32.40	38.40
7, 8, 9, 10	24	11.50	100	24.40	30.40
2, 3, 4, 5, 6	16	7.50	100	16.40	22.40
CIRCUIT SIZE	A	B	N	G	T MAX



- NOTES:**
- LEADER AND TRAILER TAPE
 - PEELING OFF FORCE OF THE TOP TAPE: 20-80gf.
 (PEELING DIRECTION AS SHOWN IN FOLLOWING FIGURE)
 - PACKAGING STANDARD IS AS PER EIA-481.
 - TAPE & REEL QUANTITY = 1000PCS/REEL
 - THE TAPE IS TREATED FOR ANTI-STATIC

ADD LEADER & TRAILER EC NO: S2005-0714 DRWN:KSEE CHKD:BLHOW APPR:PTLIM 2005/10/19 2005/10/19 2005/10/28	QUALITY SYMBOLS $\nabla=0$ $\triangle=0$	GENERAL TOLERANCES (UNLESS SPECIFIED) <table border="1"> <thead> <tr> <th></th> <th>mm</th> <th>INCH</th> </tr> </thead> <tbody> <tr> <td>4 PLACES</td> <td>\pm ---</td> <td>\pm ---</td> </tr> <tr> <td>3 PLACES</td> <td>\pm ---</td> <td>\pm ---</td> </tr> <tr> <td>2 PLACES</td> <td>± 0.20</td> <td>\pm ---</td> </tr> <tr> <td>1 PLACE</td> <td>\pm ---</td> <td>\pm ---</td> </tr> </tbody> </table>		mm	INCH	4 PLACES	\pm ---	\pm ---	3 PLACES	\pm ---	\pm ---	2 PLACES	± 0.20	\pm ---	1 PLACE	\pm ---	\pm ---	DIMENSION STYLE MM ONLY	SCALE NTS	DESIGN UNITS METRIC	THIRD ANGLE PROJECTION
		mm	INCH																		
	4 PLACES	\pm ---	\pm ---																		
	3 PLACES	\pm ---	\pm ---																		
2 PLACES	± 0.20	\pm ---																			
1 PLACE	\pm ---	\pm ---																			
DESCRIPTION C1	DRAFT WHERE APPLICABLE MUST REMAIN WITHIN DIMENSIONS	DRAWN BY KCLING	DATE 1994/04/08	TITLE SALES DRAWING 1.50MM PTICH, W-T-B HEADER, R/A, SMT	MOLEX INCORPORATED	SHEET NO. 3 OF 3															
		APPROVED BY ROYWONG	DATE 1994/04/24	DOCUMENT NO. SD-87438-***31																	
		MATERIAL NO. SEE TABLE		THIS DRAWING CONTAINS INFORMATION THAT IS PROPRIETARY TO MOLEX INCORPORATED AND SHOULD NOT BE USED WITHOUT WRITTEN PERMISSION																	