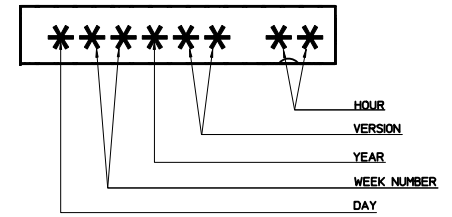
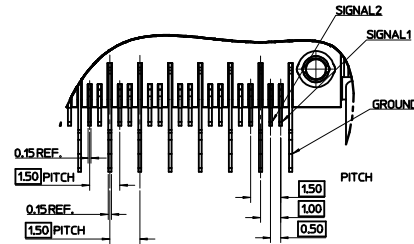
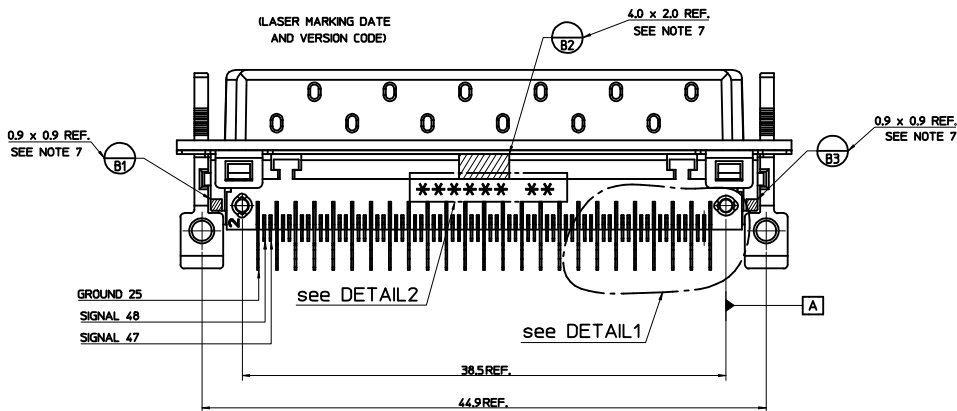
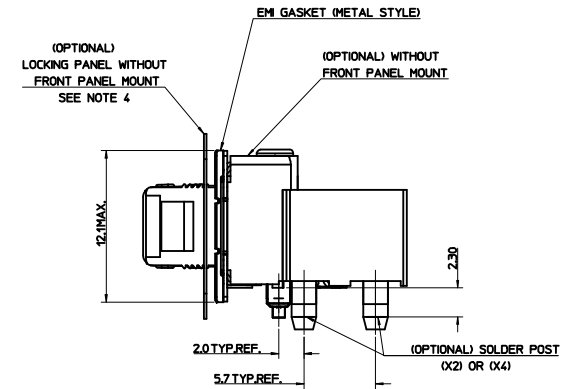
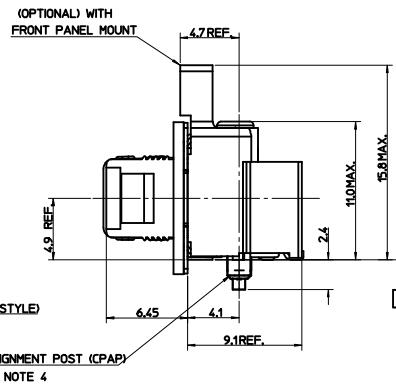
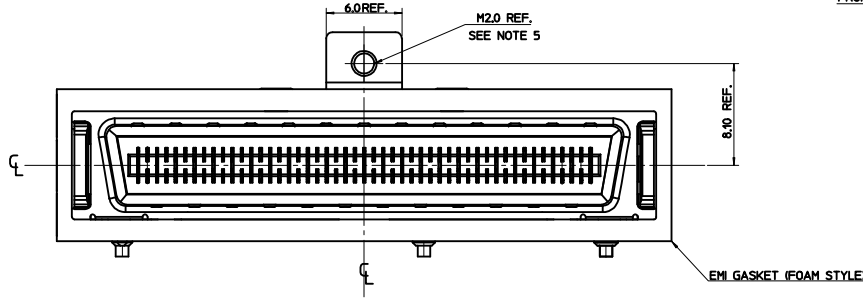


DETAIL1
Scale 8:1



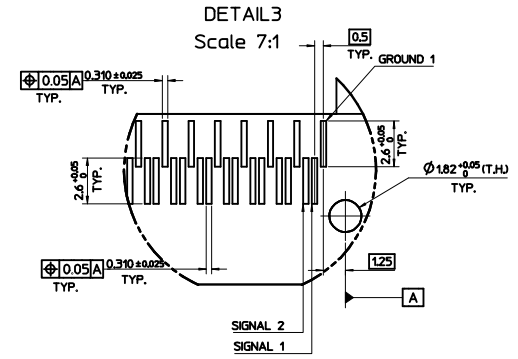
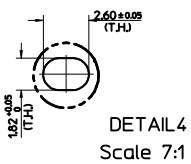
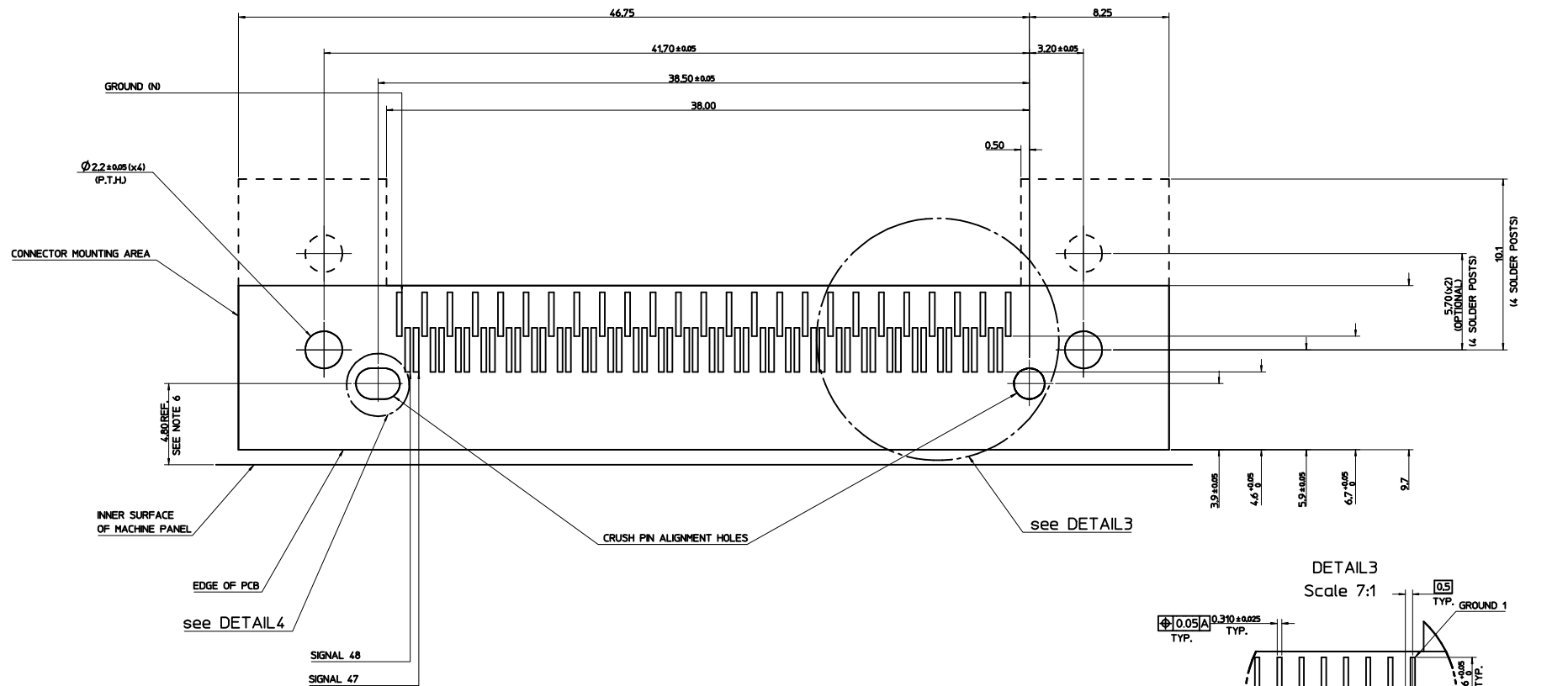
DETAIL2
Scale 10:1



NOTES:

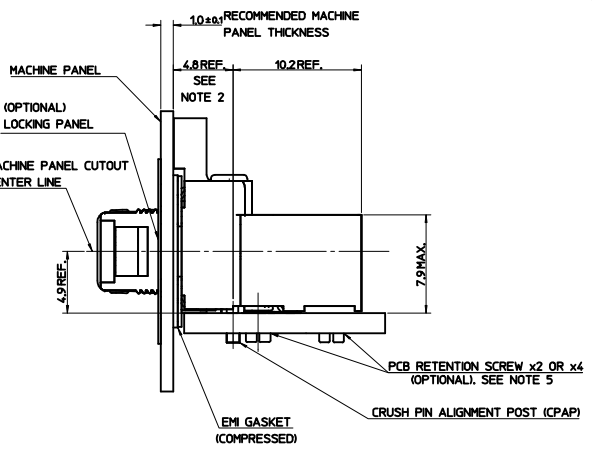
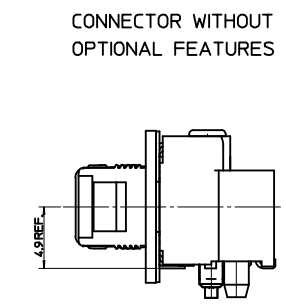
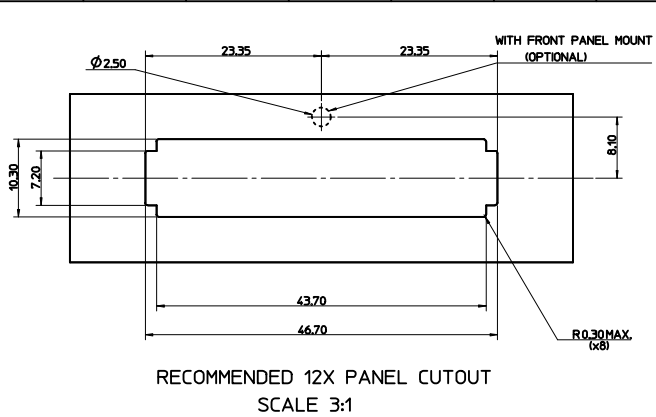
1. PRODUCT SPECIFICATION PS-91525-001
2. PACKAGING SPECIFICATION PK-91803-001
3. SCREW THREAD M2.0 X 0.4 PITCH TAPPED THROUGH, RECOMMENDED SCREW M2 X 0.4 PITCH. LENGTH 8mm. WITH A PAN HEAD, RECOMMENDED TORQUE 0.3Nm MAX.
4. CPAP USED TO ALIGN THE SOLDER TAILS WITH THE SOLDER PADS
5. SCREW THREAD M2.0 X 0.4 PITCH TAPPED THROUGH, RECOMMENDED SCREW M2 X 0.4 PITCH. LENGTH 5mm. WITH A PAN HEAD, RECOMMENDED TORQUE 0.3Nm MAX.
6. RECEPTACLE CONTACTS 127um MIN NICKEL ALL OVER CONTACT AREA 0.10 um MIN GOLD OVER 0.76um MIN PALLADIUM NICKEL SMT AREA 3um MIN TIN.
7. PCB DATUM B = B1 + B2 + B3
8. PCB RETENTION OPTIONS:
2 OR 4 SCREWS. (4 FOR REAR MOUNT OPTION).
2 OR 4 SOLDER POSTS. (4 FOR REAR MOUNT OPTION).
9. LOCKING PANEL (91532) ONE PER CONNECTOR ORDER SEPARATELY. SEE SALES DRAWING SD-91532-001
9. FOR 4X PARTS PLEASE REFER TO SD-91804-001 (FOAM GASKET) AND SD-91804-003 (METAL GASKET)

MOD TO SUB HOUSING ELEC NO: E2008-0258 D DRAWNLK/TERMAN CHKD: 2008/05/02 APPR:BMAGUIRE 2008/05/06 REV DESCRIPTION	QUALITY SYMBOLS	GENERAL TOLERANCES (UNLESS SPECIFIED)	DIMENSION STYLE	SCALE	DESIGN UNITS	THIRD ANGLE PROJECTION
	$\nabla=0$	mm INCH	MM ONLY	5:1	METRIC	
	$\nabla=0$	4 PLACES \pm --- \pm ---	DRAWN BY DATE			
		3 PLACES \pm --- \pm ---	DWALSH 11/11/04			
	2 PLACES ± 0.10 \pm ---	CHECKED BY DATE				
	1 PLACE ± 0.2 \pm ---	KDELANEY 18/11/04				
	ANGULAR $\pm 2^\circ$	APPROVED BY DATE				
		JWALLACE 25/11/04				
	DRAFT WHERE APPLICABLE MUST REMAIN WITHIN DIMENSIONS	MATERIAL NO.	SEE SHEET 4 & 5	SD-91525-004	MOLEX INCORPORATED	
		DOCUMENT NO.			SHEET NO. 1 OF 5	
		THIS DRAWING CONTAINS INFORMATION THAT IS PROPRIETARY TO MOLEX INCORPORATED AND SHOULD NOT BE USED WITHOUT WRITTEN PERMISSION				



- NOTES:
- REFER TO SHEET 1 FOR ANY UNSPECIFIED NOTES OR DIMENSIONS.
 - AREAS OUTLINED TO BE FREE OF COMPONENTS
 - ALL HOLE SIZES ARE FINISHED HOLE SIZES.
 - FOR ANY UNSPECIFIED DIMENSIONS OR NOTES SEE SHEET 1
 - RANGE OF PCB THICKNESSES: 1.6 TO 2.10mm INCLUSIVE.
LONGER SOLDER POSTS AVAILABLE FOR OTHER PCB THICKNESSES.
FOR FURTHER INFORMATION PLEASE CONTACT LOCAL SALES OFFICE.
 - THE DESIGN CAN ACCOMMODATE DIFFERENT VALUES OF THIS DIMENSION BY VARYING THE EMI GASKET THICKNESS. FOR FURTHER INFORMATION PLEASE CONTACT YOUR LOCAL SALES OFFICE

SEE SHEET 1 EC NO: E2008-0258 DRAWN: KIERMAN 2008/04/28 CHKD: 2008/05/02 APPR: BMAGUIRE 2008/05/06	QUALITY SYMBOLS ▽=0 ▽=0	GENERAL TOLERANCES (UNLESS SPECIFIED)		DIMENSION STYLE MM ONLY		SCALE 8:1	DESIGN UNITS METRIC	THIRD ANGLE PROJECTION
		m	INCH	DRAWN BY DWALSH	DATE 11/11/04	TITLE 12X LATCH SALES DRAWING		
		4 PLACES ± --- ± ---		CHECKED BY KDELANEY	DATE 18/11/04	MOLEX INCORPORATED DOCUMENT NO. SD-91525-004		
		3 PLACES ± --- ± ---		APPROVED BY JWALLACE	DATE 25/11/04			
		2 PLACES ± 0.10 ± ---				SHEET NO. 2 OF 5		
		1 PLACE ± 0.2 ± ---				THIS DRAWING CONTAINS INFORMATION THAT IS PROPRIETARY TO MOLEX INCORPORATED AND SHOULD NOT BE USED WITHOUT WRITTEN PERMISSION		
DRAFT WHERE APPLICABLE MUST REMAIN WITHIN DIMENSIONS		ANGULAR ± 2 °		SEE SHEET 4 & 5				



(OPTIONAL)
FRONT PANEL MOUNT

EMI GASKET

LATCH

SHIELD

(OPTIONAL) PCB
REAR MOUNTING HOLES

SOLDER POST OR
SCREWS (x2) OR (x4)

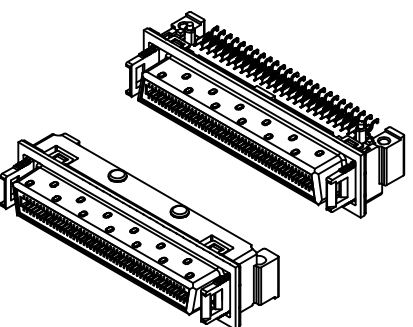
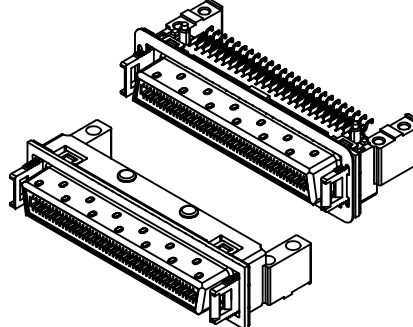
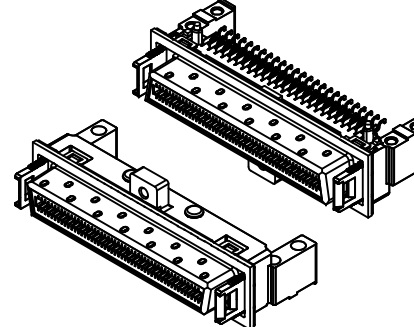
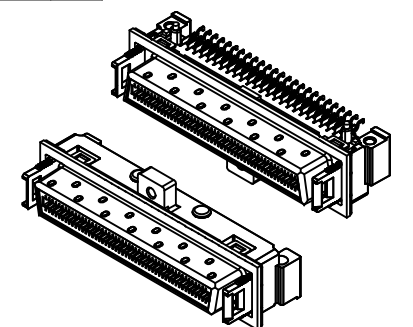
SEE NOTE 3

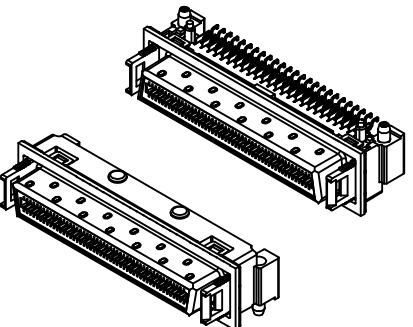
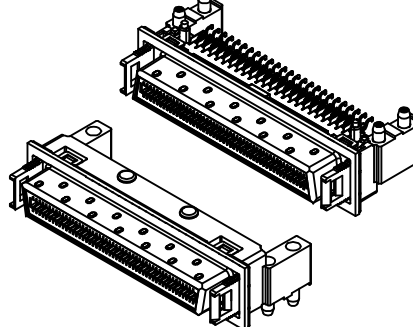
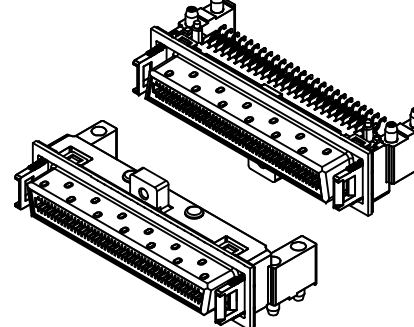
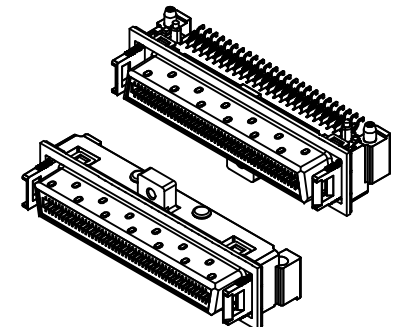
12X PANEL CUTOUT WITH
FRONT PANEL MOUNT

LOCKING PANEL WITH
FRONT PANEL MOUNT (OPTIONAL)

- NOTES:
1. REFER TO SHEET 1 FOR ALL UNSPECIFIED NOTES AND DIMENSIONS.
 2. FINAL ASSEMBLY DIMENSIONS
 3. PCB RETENTION OPTIONS:
2 OR 4 SCREWS, (4 FOR REAR MOUNT OPTIONS)
2 OR 4 SOLDER POSTS, (4 FOR REAR MOUNT OPTIONS)
 4. LOCKING PANEL (91532) ONE PER CONNECTOR ORDER SEPARATE SEE SALES DRAWING SD-91532-001
 5. RECOMMENDED SCREW M2 X 0.4 PITCH, LENGTH 8MM, WITH A PAN HEAD.
RECOMMENDED TORQUE 0.3 Nm MAX.

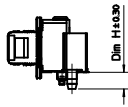
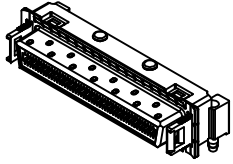
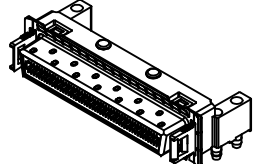
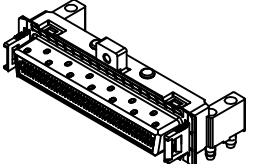
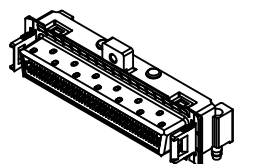
SEE SHEET 1 EC NO: E2008-0256 D 2008/04/28 DRWN: KTERMAN CHKD: 2008/05/02 APPR: BMAGUIRE 2008/05/06	QUALITY SYMBOLS	GENERAL TOLERANCES (UNLESS SPECIFIED)		DIMENSION STYLE		SCALE	DESIGN UNITS	THIRD ANGLE PROJECTION
	$\nabla=0$ $\nabla=0$	mm	INCH	MM ONLY		5:1	METRIC	
	4 PLACES ± --- ± --- 3 PLACES ± --- ± --- 2 PLACES ± 0.10 ± --- 1 PLACE ± 0.2 ± --- ANGULAR ± 2 °	DRAWN BY: DWALSH CHECKED BY: KDELANEY APPROVED BY: JWALLACE DATE: 11/11/04 DATE: 18/11/04 DATE: 25/11/04	DRAFT WHERE APPLICABLE MUST REMAIN WITHIN DIMENSIONS		SEE SHEET 4 & 5 SD-91525-004		TITLE: 12X LATCH SALES DRAWING	MOLEX INCORPORATED DOCUMENT NO.

<table border="1" style="width: 100%; border-collapse: collapse;"> <tr><td colspan="2">12 LATCH I/O</td></tr> <tr><td>REAR MOUNTS</td><td>NO</td></tr> <tr><td>PANEL MOUNTS</td><td>NO</td></tr> <tr><td>SOLDER POSTS</td><td>NO</td></tr> </table>  <table border="1" style="width: 100%; border-collapse: collapse; margin-top: 10px;"> <tr><th>PART NO.</th><th>PACKAGING</th></tr> <tr><td>91525-1210</td><td>TRAY</td></tr> <tr><td>91525-8210</td><td>TAPE AND REEL</td></tr> </table>	12 LATCH I/O		REAR MOUNTS	NO	PANEL MOUNTS	NO	SOLDER POSTS	NO	PART NO.	PACKAGING	91525-1210	TRAY	91525-8210	TAPE AND REEL	<table border="1" style="width: 100%; border-collapse: collapse;"> <tr><td colspan="2">12 LATCH I/O</td></tr> <tr><td>REAR MOUNTS</td><td>YES</td></tr> <tr><td>PANEL MOUNTS</td><td>NO</td></tr> <tr><td>SOLDER POSTS</td><td>NO</td></tr> </table>  <table border="1" style="width: 100%; border-collapse: collapse; margin-top: 10px;"> <tr><th>PART NO.</th><th>PACKAGING</th></tr> <tr><td>91525-1212</td><td>TRAY</td></tr> <tr><td>91525-8212</td><td>TAPE AND REEL</td></tr> </table>	12 LATCH I/O		REAR MOUNTS	YES	PANEL MOUNTS	NO	SOLDER POSTS	NO	PART NO.	PACKAGING	91525-1212	TRAY	91525-8212	TAPE AND REEL	<table border="1" style="width: 100%; border-collapse: collapse;"> <tr><td colspan="2">12 LATCH I/O</td></tr> <tr><td>REAR MOUNTS</td><td>YES</td></tr> <tr><td>PANEL MOUNTS</td><td>YES</td></tr> <tr><td>SOLDER POSTS</td><td>NO</td></tr> </table>  <table border="1" style="width: 100%; border-collapse: collapse; margin-top: 10px;"> <tr><th>PART NO.</th><th>PACKAGING</th></tr> <tr><td>91525-1214</td><td>TRAY</td></tr> <tr><td>91525-8214</td><td>TAPE AND REEL</td></tr> </table>	12 LATCH I/O		REAR MOUNTS	YES	PANEL MOUNTS	YES	SOLDER POSTS	NO	PART NO.	PACKAGING	91525-1214	TRAY	91525-8214	TAPE AND REEL	<table border="1" style="width: 100%; border-collapse: collapse;"> <tr><td colspan="2">12 LATCH I/O</td></tr> <tr><td>REAR MOUNTS</td><td>NO</td></tr> <tr><td>PANEL MOUNTS</td><td>YES</td></tr> <tr><td>SOLDER POSTS</td><td>NO</td></tr> </table>  <table border="1" style="width: 100%; border-collapse: collapse; margin-top: 10px;"> <tr><th>PART NO.</th><th>PACKAGING</th></tr> <tr><td>91525-1216</td><td>TRAY</td></tr> <tr><td>91525-8216</td><td>TAPE AND REEL</td></tr> </table>	12 LATCH I/O		REAR MOUNTS	NO	PANEL MOUNTS	YES	SOLDER POSTS	NO	PART NO.	PACKAGING	91525-1216	TRAY	91525-8216	TAPE AND REEL
12 LATCH I/O																																																											
REAR MOUNTS	NO																																																										
PANEL MOUNTS	NO																																																										
SOLDER POSTS	NO																																																										
PART NO.	PACKAGING																																																										
91525-1210	TRAY																																																										
91525-8210	TAPE AND REEL																																																										
12 LATCH I/O																																																											
REAR MOUNTS	YES																																																										
PANEL MOUNTS	NO																																																										
SOLDER POSTS	NO																																																										
PART NO.	PACKAGING																																																										
91525-1212	TRAY																																																										
91525-8212	TAPE AND REEL																																																										
12 LATCH I/O																																																											
REAR MOUNTS	YES																																																										
PANEL MOUNTS	YES																																																										
SOLDER POSTS	NO																																																										
PART NO.	PACKAGING																																																										
91525-1214	TRAY																																																										
91525-8214	TAPE AND REEL																																																										
12 LATCH I/O																																																											
REAR MOUNTS	NO																																																										
PANEL MOUNTS	YES																																																										
SOLDER POSTS	NO																																																										
PART NO.	PACKAGING																																																										
91525-1216	TRAY																																																										
91525-8216	TAPE AND REEL																																																										

<table border="1" style="width: 100%; border-collapse: collapse;"> <tr><td colspan="2">12 LATCH I/O</td></tr> <tr><td>REAR MOUNTS</td><td>NO</td></tr> <tr><td>PANEL MOUNTS</td><td>NO</td></tr> <tr><td>SOLDER POSTS</td><td>2</td></tr> </table>  <table border="1" style="width: 100%; border-collapse: collapse; margin-top: 10px;"> <tr><th>PART NO.</th><th>PACKAGING</th></tr> <tr><td>91525-1250</td><td>TRAY</td></tr> <tr><td>91525-8250</td><td>TAPE AND REEL</td></tr> </table>	12 LATCH I/O		REAR MOUNTS	NO	PANEL MOUNTS	NO	SOLDER POSTS	2	PART NO.	PACKAGING	91525-1250	TRAY	91525-8250	TAPE AND REEL	<table border="1" style="width: 100%; border-collapse: collapse;"> <tr><td colspan="2">12 LATCH I/O</td></tr> <tr><td>REAR MOUNTS</td><td>YES</td></tr> <tr><td>PANEL MOUNTS</td><td>NO</td></tr> <tr><td>SOLDER POSTS</td><td>4</td></tr> </table>  <table border="1" style="width: 100%; border-collapse: collapse; margin-top: 10px;"> <tr><th>PART NO.</th><th>PACKAGING</th></tr> <tr><td>91525-1252</td><td>TRAY</td></tr> <tr><td>91525-8252</td><td>TAPE AND REEL</td></tr> </table>	12 LATCH I/O		REAR MOUNTS	YES	PANEL MOUNTS	NO	SOLDER POSTS	4	PART NO.	PACKAGING	91525-1252	TRAY	91525-8252	TAPE AND REEL	<table border="1" style="width: 100%; border-collapse: collapse;"> <tr><td colspan="2">12 LATCH I/O</td></tr> <tr><td>REAR MOUNTS</td><td>YES</td></tr> <tr><td>PANEL MOUNTS</td><td>YES</td></tr> <tr><td>SOLDER POSTS</td><td>4</td></tr> </table>  <table border="1" style="width: 100%; border-collapse: collapse; margin-top: 10px;"> <tr><th>PART NO.</th><th>PACKAGING</th></tr> <tr><td>91525-1254</td><td>TRAY</td></tr> <tr><td>91525-8254</td><td>TAPE AND REEL</td></tr> </table>	12 LATCH I/O		REAR MOUNTS	YES	PANEL MOUNTS	YES	SOLDER POSTS	4	PART NO.	PACKAGING	91525-1254	TRAY	91525-8254	TAPE AND REEL	<table border="1" style="width: 100%; border-collapse: collapse;"> <tr><td colspan="2">12 LATCH I/O</td></tr> <tr><td>REAR MOUNTS</td><td>NO</td></tr> <tr><td>PANEL MOUNTS</td><td>YES</td></tr> <tr><td>SOLDER POSTS</td><td>2</td></tr> </table>  <table border="1" style="width: 100%; border-collapse: collapse; margin-top: 10px;"> <tr><th>PART NO.</th><th>PACKAGING</th></tr> <tr><td>91525-1256</td><td>TRAY</td></tr> <tr><td>91525-8256</td><td>TAPE AND REEL</td></tr> </table>	12 LATCH I/O		REAR MOUNTS	NO	PANEL MOUNTS	YES	SOLDER POSTS	2	PART NO.	PACKAGING	91525-1256	TRAY	91525-8256	TAPE AND REEL
12 LATCH I/O																																																											
REAR MOUNTS	NO																																																										
PANEL MOUNTS	NO																																																										
SOLDER POSTS	2																																																										
PART NO.	PACKAGING																																																										
91525-1250	TRAY																																																										
91525-8250	TAPE AND REEL																																																										
12 LATCH I/O																																																											
REAR MOUNTS	YES																																																										
PANEL MOUNTS	NO																																																										
SOLDER POSTS	4																																																										
PART NO.	PACKAGING																																																										
91525-1252	TRAY																																																										
91525-8252	TAPE AND REEL																																																										
12 LATCH I/O																																																											
REAR MOUNTS	YES																																																										
PANEL MOUNTS	YES																																																										
SOLDER POSTS	4																																																										
PART NO.	PACKAGING																																																										
91525-1254	TRAY																																																										
91525-8254	TAPE AND REEL																																																										
12 LATCH I/O																																																											
REAR MOUNTS	NO																																																										
PANEL MOUNTS	YES																																																										
SOLDER POSTS	2																																																										
PART NO.	PACKAGING																																																										
91525-1256	TRAY																																																										
91525-8256	TAPE AND REEL																																																										

<p>NOTES:</p> <ol style="list-style-type: none"> REFER TO SHEET 1 FOR ALL UNSPECIFIED NOTES AND DIMENSIONS. REFER TO SHEET 2 FOR PCB LAYOUT REFER TO SHEET 3 FOR OPTIONAL ASSEMBLY COMPONENTS AND DIMENSIONS. FOR 4X PARTS WITH FOAM GASKET PLEASE REFER TO SD-91804-001 	<p>SEE SHEET 1</p> <p>EC NO: E2008-0236</p> <p>DRWNLK/TERMAN</p> <p>CHKD: 2008/05/02</p> <p>APPR:BMAGUIRE</p> <p>2008/04/28</p> <p>2008/05/02</p> <p>2008/05/06</p>	<p>QUALITY SYMBOLS</p> <p>▽=0</p> <p>▽=0</p>	<p>GENERAL TOLERANCES (UNLESS SPECIFIED)</p> <table border="1" style="width: 100%; border-collapse: collapse;"> <tr><th></th><th>mm</th><th>INCH</th></tr> <tr><td>4 PLACES</td><td>± .---</td><td>± .---</td></tr> <tr><td>3 PLACES</td><td>± .---</td><td>± .---</td></tr> <tr><td>2 PLACES</td><td>± 0.10</td><td>± .---</td></tr> <tr><td>1 PLACE</td><td>± 0.2</td><td>± .---</td></tr> </table> <p>ANGULAR ± 2 °</p> <p>DRAFT WHERE APPLICABLE MUST REMAIN WITHIN DIMENSIONS</p>		mm	INCH	4 PLACES	± .---	± .---	3 PLACES	± .---	± .---	2 PLACES	± 0.10	± .---	1 PLACE	± 0.2	± .---	<p>DIMENSION STYLE</p> <p>MM ONLY</p> <p>DRAWN BY DATE</p> <p>DWALSH 11/11/04</p> <p>CHECKED BY DATE</p> <p>KDELANEY 18/11/04</p> <p>APPROVED BY DATE</p> <p>JWALLACE 25/11/04</p> <p>MATERIAL NO.</p> <p>SEE SHEET 4&5</p>	<p>SCALE</p> <p>2.5:1</p> <p>DESIGN UNITS</p> <p>METRIC</p> <p>THIRD ANGLE PROJECTION</p> <p>TITLE</p> <p>12X LATCH SALES DRAWING</p> <p>MOLEX INCORPORATED</p> <p>DOCUMENT NO.</p> <p>SD-91525-004</p> <p>SHEET NO.</p> <p>4 OF 5</p> <p>THIS DRAWING CONTAINS INFORMATION THAT IS PROPRIETARY TO MOLEX INCORPORATED AND SHOULD NOT BE USED WITHOUT WRITTEN PERMISSION</p>
	mm	INCH																		
4 PLACES	± .---	± .---																		
3 PLACES	± .---	± .---																		
2 PLACES	± 0.10	± .---																		
1 PLACE	± 0.2	± .---																		

METAL GASKET AND SOLDER POST LENGTH OPTIONS

	PACKAGING				
		NO SOLDER POSTS	TRAY TAPE & REEL	91525-1211 91525-8211	91525-1213 91525-8213
Dim H = 2.3	TRAY	91525-1251	91525-1253	91525-1255	91525-1257
	TAPE & REEL	91525-8251	91525-8253	91525-8255	91525-8257
Dim H = 3.3	TRAY	91525-1261	91525-1263	91525-1265	91525-1267
	TAPE & REEL	91525-8261	91525-8263	91525-8265	91525-8267
Dim H = 4.3	TRAY	91525-1291	91525-1293	91525-1295	91525-1297
	TAPE & REEL	91525-8291	91525-8293	91525-8295	91525-8297

- NOTES:
 1. REFER TO SHEET 1 FOR ALL UNSPECIFIED NOTES AND DIMENSIONS.
 2. REFER TO SHEET 2 FOR PCB LAYOUT
 3. REFER TO SHEET 3 FOR OPTIONAL ASSEMBLY COMPONENTS AND DIMENSIONS.
 4. FOR 4X PARTS WITH METAL GASKET PLEASE REFER TO SD-91804-003

SEE SHEET 1 EC NO: E2008-0258 DRAWN BY: D CHKD: D APPR: BMAGUIRE 2008/04/28 2008/05/02 2008/05/06	QUALITY SYMBOLS	GENERAL TOLERANCES (UNLESS SPECIFIED)	DIMENSION STYLE	SCALE	DESIGN UNITS	THIRD ANGLE PROJECTION
	$\nabla=0$ $\nabla=0$	mm INCH 4 PLACES ± --- ± --- 3 PLACES ± --- ± --- 2 PLACES ± 0.10 ± --- 1 PLACE ± 0.2 ± --- ANGULAR ± 2 °	MM ONLY	2:1	METRIC	
	DESCRIPTION	DRAFT WHERE APPLICABLE MUST REMAIN WITHIN DIMENSIONS	DRAWN BY: DWALSH DATE: 11/11/04 CHECKED BY: KDELANEY DATE: 18/11/04 APPROVED BY: JWALLACE DATE: 25/11/04	TITLE 12X LATCH SALES DRAWING		
			MATERIAL NO.	DOCUMENT NO.		SHEET NO.
		SEE SHEET 4 & 5	SD-91525-004		5 OF 5	
THIS DRAWING CONTAINS INFORMATION THAT IS PROPRIETARY TO MOLEX INCORPORATED AND SHOULD NOT BE USED WITHOUT WRITTEN PERMISSION						