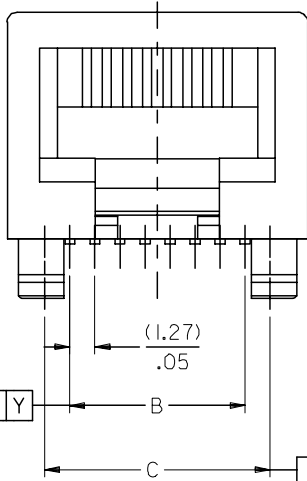
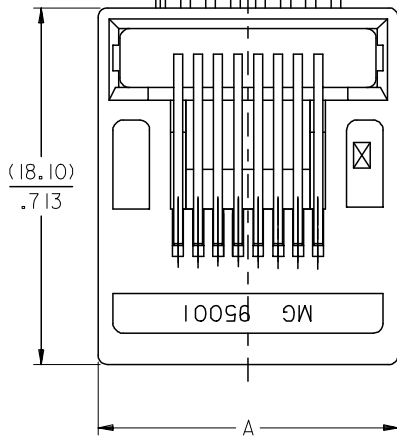


### 6 & 8 VERSIONS

8 VERSION SHOWN

CIRCUIT I  
(8 CKTS VERSION)

CIRCUIT I  
(6 CKTS VERSION)



$\equiv (\varnothing .10) / .004 Y$

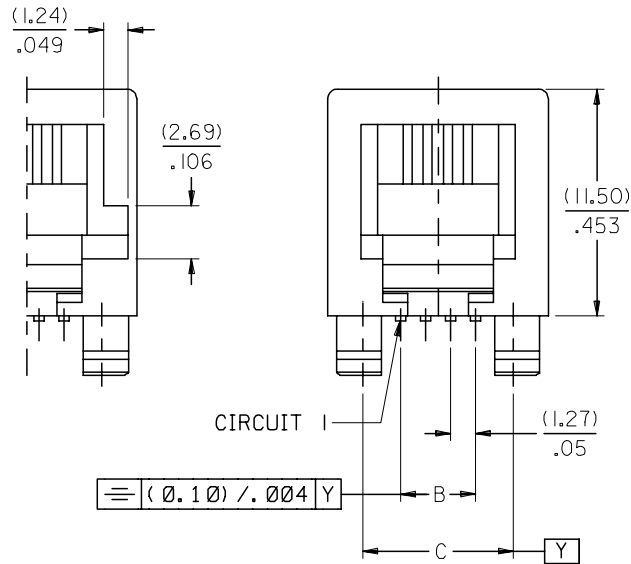
### NOTES :

#### 1- MATERIAL:

-HOUSING: POLYAMIDE 4/6 FIBER GLASS FILLED UL 94-V0,  
COLOR GREY.  
SPECIAL VERSION COLOR BLACK

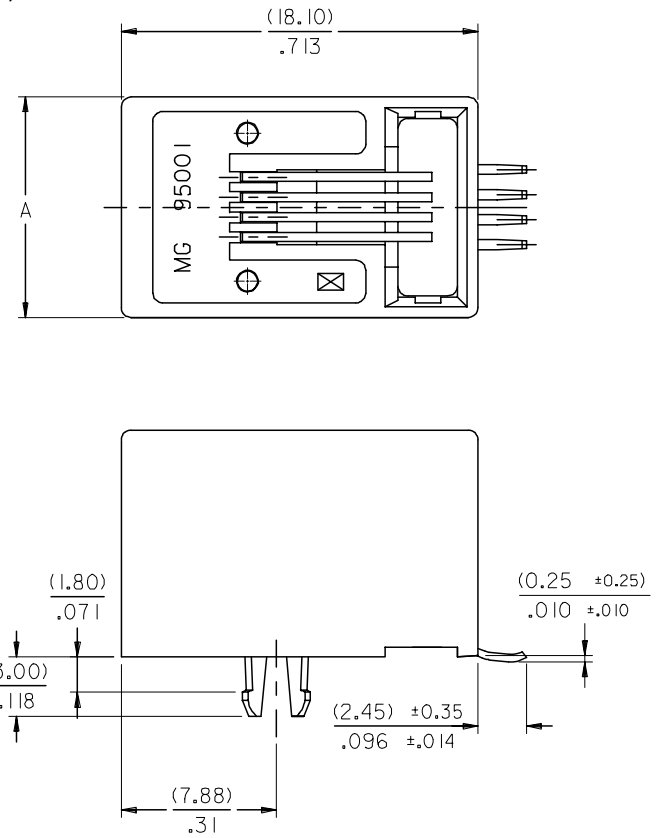
2- SEE OTHER NOTES SHEET 1

### OPTIONAL KEYING



$\equiv (\varnothing .10) / .004 Y$

### 4 VERSION ONLY



EC NO: MG2005-0106 2004/10/12 DRAWN: MARTIN 2004/10/12 CHKD: FCARABET 2004/10/12 APPR: KNOLLER 2004/10/13	QUALITY SYMBOLS ▽=0 ▽=0	GENERAL TOLERANCES (UNLESS SPECIFIED)		DIMENSION STYLE	SCALE	DESIGN UNITS	THIRD ANGLE PROJECTION		
		mm	INCH	MM/IN	4:1	METRIC	⊙ □		
REV	DESCRIPTION	4 PLACES	± ---	± ---	DRAWN BY	DATE	TITLE		
		3 PLACES	± ---	± .006	FB	1993/02/24	R/A LOW PROFILE PC JACK 4,6,8 CKTS SIZE SMT VERSION		
		2 PLACES	± 0.15	± .010	CHECKED BY	DATE	MOLEX INCORPORATED		
		1 PLACE	± 0.25	± ---	ER	1993/02/24	SHEET NO.		
		ANGULAR		± ---°	APPROVED BY	DATE	2 OF 9		
		DRAFT WHERE APPLICABLE MUST REMAIN WITHIN DIMENSIONS		SEE CHART SHEETS 4.5&6	JB	1993/02/24	DOCUMENT NO.	SDA-95001	
		SIZE		A3	THIS DRAWING CONTAINS INFORMATION THAT IS PROPRIETARY TO MOLEX INCORPORATED AND SHOULD NOT BE USED WITHOUT WRITTEN PERMISSION				

# SPECIAL PACKAGING TUBE, SEE PACKAGING SPEC PK95001 SHEET 3

PART NO FOR JACK ASSEMBLY  
STANDARD VERSION

PART NO FOR JACK ASSEMBLY  
S.M.T. VERSION

SPECIAL  
VERSION

HOUSING SIZE	LOADED CONTACTS	PLATING	POLYESTER FIBER GLASS FILED 94V0, COLOR BLACK.						POLYAMIDE 4/6 FIBER GLASS FILED 94V0 COLOR GREY						POLYESTER BLACK LOW TEMP.			
			NO KEY		KEY		TOOLED	TOOLED	NO KEY		KEY		NOT KEY		TOOLED	TOOLED	NO KEY	
			NOT RIBBED	TOOLED	NOT RIBBED	TOOLED			NOT RIBBED	TOOLED	NOT RIBBED	TOOLED	NOT RIBBED	TOOLED			NOT RIBBED	TOOLED
4	4	2	95001-2401	X	95001-2402					95001-6441	X	95001-6442	95001-6449	X				
		7	95001-4401	X														
6	4	2	95001-2601	X	95001-2602					95001-6641	X	95001-6642	95001-6649	X				
6	6	2	95001-2611	X	95001-2612					95001-6661	X	95001-6662	95001-6669	X				
		7	95001-4611	X														
8	4	2	95001-2801		95001-2802					95001-6841		95001-6842	95001-6849			95001-2843	X	
8	6	2	95001-2811	X	95001-2812					95001-6861	X	95001-6862	95001-6869	X		95001-2863	X	
8	8	2	95001-2821	X	95001-2822	X				95001-6881	X	95001-6882	X	95001-6889	X			

EC NO: MG2005-0106 2004/10/12 DRAWN: MARTIN 2004/10/12 CHKD: FCARABET 2004/10/13 APPR: KNOLLER 2004/10/13	QUALITY SYMBOLS ▽=0 ▽=0	GENERAL TOLERANCES (UNLESS SPECIFIED)		DIMENSION STYLE MM ONLY	SCALE ---	DESIGN UNITS METRIC	THIRD ANGLE PROJECTION		
				mm	INCH	DRAWN BY GP		DATE 1993/10/05	
		4 PLACES		±---	±---	CHECKED BY FB		DATE 1993/10/05	
		3 PLACES		±---	±---	APPROVED BY JB		DATE 1993/10/05	
2 PLACES		±---	±---	MATERIAL NO.		DOCUMENT NO.		SHEET NO.	
1 PLACE		±---	±---	SEE CHART		SDA-95001		6 OF 9	
ANGULAR		±----	°	DRAFT WHERE APPLICABLE MUST REMAIN WITHIN DIMENSIONS					

LOW PROFILE R/A JACK  
STANDARD AND SMT VERSION  
TUBE PACKAGING

MOLEX INCORPORATED