

CE PLAN ETANT UN EXTRAIT DU PLAN DE DEFINITION, POUR TOUT LITIGE ON FERA REFERENCE AU PLAN DE DEFINITION.

THIS DRAWING IS AN EXTRACT OF THE PART DRAWING, FOR ANY LITIGATION THE PART DETAIL DRAWING WILL BE THE ONLY REFERENCE.

NOTICE DE CONTROLE:
AU PIED A COULISSE OU AU PROJECTEUR DE PROFIL, VERIFIER LES COTES INDIQUEES SUR LE DESSIN DU CLIP.

CONTROL SPECIFICATION:
WITH A SLIDING CALIPER OR A PROFILE PROJECTOR, MEASURE THE NOTED DIMENSIONS ON THE DRAWING.

INDICATION DIMENSIONS S.P.C DENOTES S.P.C. DIMENSIONS
 INDICATION DIMENSIONS CRITIQUEES DENOTES CRITICAL DIMENSIONS
 INDICATION DIMENSIONS FONCTIONNELLES DENOTES FUNCTIONAL DIMENSIONS
 QUANTITE PAR FEUILLE INDIVIDUELLE QUANTITY PER NOMINAL SHEET
 2 4 4

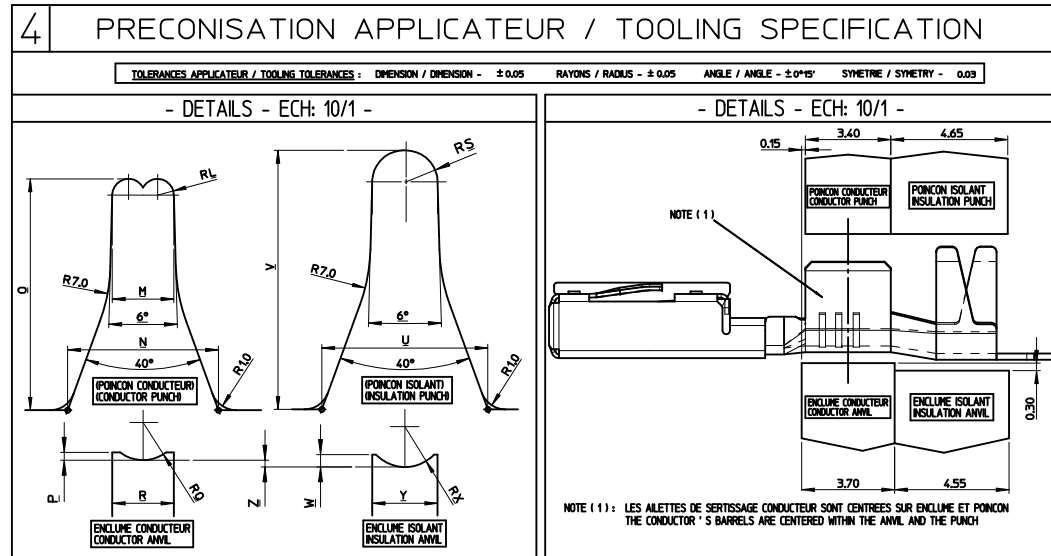
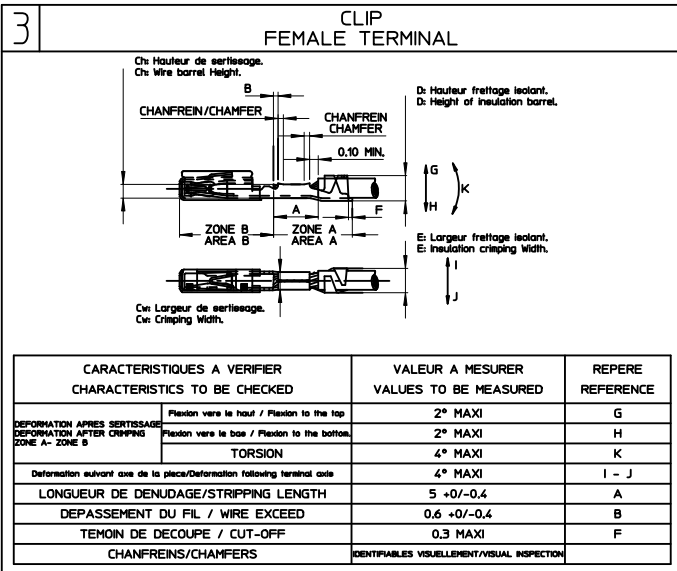
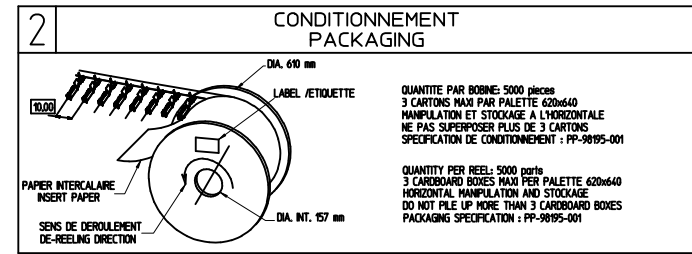
2	B
1	B
SHT	REV

Assembled terminal Part number MOLEX	Crimping Range Gammes de sertissage	Material Terminal's Body Matière Corps du contact	Material / Matière Terminal's Sleeve Cage de protection	Part weight Poids Pièce (grams)	Crimp area dimension table / Tableau des dimensione zone de sertissage														
					Length Longueur					conductor crimp sertissage conducteur					Insulation Crimp Sertissage isolant				
					A	B	C	RC	E	F	I	RI	G	H	J				
98195-1211	0.35 to 0.50 mm ²	CuCrSITI Tin pre-plated, Tin Thickness : 1-3 μm, HOT TIN DIP	Stainless Steel X12 CrNi 17.7	Body/Corps: 0.17 Sleeve/Cage : 0.09	3.40	5.10	7.60	R0.50	1.90	2.10	0.40	R1.00	2.90	2.90	0.20				
98195-1212	0.5 to 1 mm ²	CuCrSITI Tin pre-plated, Tin Thickness : 1-3 μm, HOT TIN DIP		Body/Corps: 0.18 Sleeve/Cage : 0.09	3.40	5.10	7.60	R0.60	2.50	2.90	0.40	R1.00	3.80	3.90	0.20				
98195-1213	>1 to 2.5 mm ²	CuCrSITI Tin pre-plated, Tin Thickness : 1-3 μm, HOT TIN DIP		Body/Corps: 0.21 Sleeve/Cage : 0.09	3.40	5.20	7.60	R0.90	3.60	3.40	0.40	R1.15	4.50	4.20	0.20				

EC NO: G2004-0072 DRW/LLSTICKEI: 2003/09/08 CHKD: PDE/HELZ003/09/08 APPR: CBOUCHANZ003/09/16	GENERAL TOLERANCES (UNLESS SPECIFIED)		SCALE 10:1	DESIGN UNITS METRIC	FIRST ANGLE PROJECTION	REVISE ON CAD ONLY															
	<table border="1"> <tr> <th></th> <th>mm</th> <th>INCH</th> </tr> <tr> <td>4 PLACES</td> <td>± ---</td> <td>± ---</td> </tr> <tr> <td>3 PLACES</td> <td>± ---</td> <td>± ---</td> </tr> <tr> <td>2 PLACES</td> <td>± 0.05</td> <td>± ---</td> </tr> <tr> <td>1 PLACE</td> <td>± 0.10</td> <td>± ---</td> </tr> </table>			mm	INCH	4 PLACES	± ---	± ---	3 PLACES	± ---	± ---	2 PLACES	± 0.05	± ---	1 PLACE	± 0.10	± ---	DIMENSION STYLE MM ONLY		TITLE MOX 1.5MM TERMINAL RECEPTACLE TERMINAL CONTROL SPECIFICATION	
		mm	INCH																		
	4 PLACES	± ---	± ---																		
3 PLACES	± ---	± ---																			
2 PLACES	± 0.05	± ---																			
1 PLACE	± 0.10	± ---																			
DRAFT WHERE APPLICABLE MUST REMAIN WITHIN DIMENSIONS		APPROVED BY WMO	DATE 2001/09/17	CHECKED BY LST	DATE 2001/08/20	MATERIAL NO. SEE CHART															
		DOCUMENT NO. SD-98195-002		SHEET NO. 1 OF 2																	

SERTISSAGE CRIMPING

FL / WIRE		CONTACT / TERMINAL REFERENCES PART # MOLEX		PARAMETRES DE SERTISSAGE CRIMPING PARAMETERS																					
TYPE	SECTION REELLE REAL SECTION	NOMBRE DE BRAS STRANDS NUMBER	DIA. BRN MAX MAX STRANDS DIA.	DIAMETRE ISOLANT ISOLATION DIAMETER	VERSION ETAMEE TIN PLATED VERSION	VERSION DOREE GOLD PLATED VERSION	HAUTEUR D (mm)	LARGEUR WITH COUS (mm)	TOLERANCE POUR INFORMATION POUR INFORMATION	Poinçon Conducteur Conductor Punch				Ecume Conducteur Conductor Anvil				Poinçon Isolant Insulation Punch				Ecume Isolant Insulation Anvil			
										RL (mm)	M (mm)	N (mm)	O (mm)	P (mm)	RO (mm)	R (mm)	RS (mm)	U (mm)	V (mm)	W (mm)	RX (mm)	Y (mm)	Z (mm)		
0.22 03	0.22 mm ²	7	0.25	1.20	9895-1211	T&D	0.85 ±0.03	14	> 50 N	0.36	1.35	5.50	9.0	0.13	100	1.35	1.40 ±0.05	2.15	1.08	6.20	9.8	0.39	1.40	2.25	0.20
0.35 R3	0.34 mm ²	7	0.31	1.30			0.90 ±0.03	14	> 60 N	0.36	1.35	5.50	9.00	0.13	100	1.35	1.70 ±0.05	2.20	1.08	6.20	9.8	0.39	1.40	2.25	0.20
0.50 03	0.495 mm ²	7	0.31	1.40			0.95 ±0.03	14	> 80 N	0.36	1.35	5.50	9.00	0.13	100	1.35	1.85 ±0.05	2.20	1.08	6.20	9.8	0.39	1.40	2.25	0.20
0.50 03	0.495 mm ²	7	0.31	1.40			1.05 ±0.03	185	> 80 N	0.48	1.80	6.00	9.00	0.23	110	1.80	1.90 ±0.05	2.45	1.08	6.20	9.8	0.39	1.40	2.25	0.20
0.60 R3	0.59 mm ²	12	0.25	1.80			1.10 ±0.03	185	> 100 N	0.48	1.80	6.00	9.00	0.23	110	1.80	2.10 ±0.05	2.45	1.20	6.50	9.8	0.41	1.60	2.50	0.20
0.75 03	0.79 mm ²	19	0.23	1.70	9895-1212	T&D	1.15 ±0.03	185	> 100 N	0.48	1.80	6.00	9.00	0.23	110	1.80	2.05 ±0.05	2.45	1.20	6.50	9.8	0.41	1.60	2.50	0.20
1.00 03	0.93 mm ²	19	0.25	1.80			1.25 ±0.03	185	> 120 N	0.48	1.80	6.00	9.00	0.23	110	1.80	2.10 ±0.05	2.45	1.20	6.50	9.8	0.41	1.60	2.50	0.20
1.40 R3	1.33 mm ²	27	0.25	2.30			1.35 ±0.03	25	> 180 N	0.649	2.45	6.00	9.20	0.31	150	2.45	2.60 ±0.05	2.65	1.248	6.60	10.3	0.49	1.60	2.60	0.30
1.50 03	1.53 mm ²	19	0.25	2.20			1.40 ±0.03	25	> 180 N	0.649	2.45	6.00	9.20	0.31	150	2.45	2.60 ±0.05	2.65	1.248	6.60	10.3	0.49	1.60	2.60	0.30
2.00 R3	1.82 mm ²	37	0.25	2.60			1.50 ±0.03	25	> 220 N	0.649	2.45	6.00	9.20	0.31	150	2.45	2.70 ±0.05	2.65	1.248	6.60	10.3	0.49	1.60	2.60	0.30
2.00 03	1.88 mm ²	60	0.20	2.45			1.50 ±0.03	25	> 220 N	0.649	2.45	6.00	9.20	0.31	150	2.45	2.70 ±0.05	2.65	1.248	6.60	10.3	0.49	1.60	2.60	0.30
2.50 03	2.45 mm ²	50	0.25	2.80			1.55 ±0.03	25	> 220 N	0.649	2.45	6.00	9.20	0.31	150	2.45	2.75 ±0.05	2.65	1.248	6.60	10.3	0.49	1.60	2.60	0.30



EC NO: G2004-0072 DRW: LST/CKE / 2003/09/08 CHKD: PDE/HEL/Z003/09/08 APPR: CB/UCHANZ003/09/16	GENERAL TOLERANCES (UNLESS SPECIFIED)	SCALE 1:1	DESIGN UNITS METRIC	FIRST ANGLE PROJECTION	REVISE ON CAD ONLY
	4 PLACES ± --- ± ---	DIMENSION STYLE MM ONLY	DRAWN BY DATE	TITLE	MOX 1.5MM TERMINAL RECEPTACLE TERMINAL CONTROL SPECIFICATION
	3 PLACES ± --- ± ---	2001/03/10	CHECKED BY DATE	2 OF 2	
	2 PLACES ± 0.05 ± ---	APPROVED BY DATE	2001/08/20	MATERIAL NO. DOCUMENT NO.	SHEET NO.
1 PLACE ± 0.10 ± ---	WMO 2001/09/17	SEE SHEET 1	SD-98195-002	2 OF 2	
ANGULAR ±1/2°	DRAFT WHERE APPLICABLE	THIS DRAWING CONTAINS INFORMATION THAT IS PROPRIETARY TO MOLEX INCORPORATED AND SHOULD NOT BE USED WITHOUT WRITTEN PERMISSION			