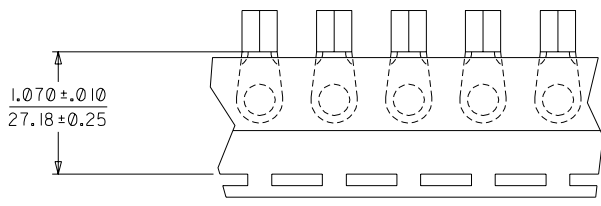
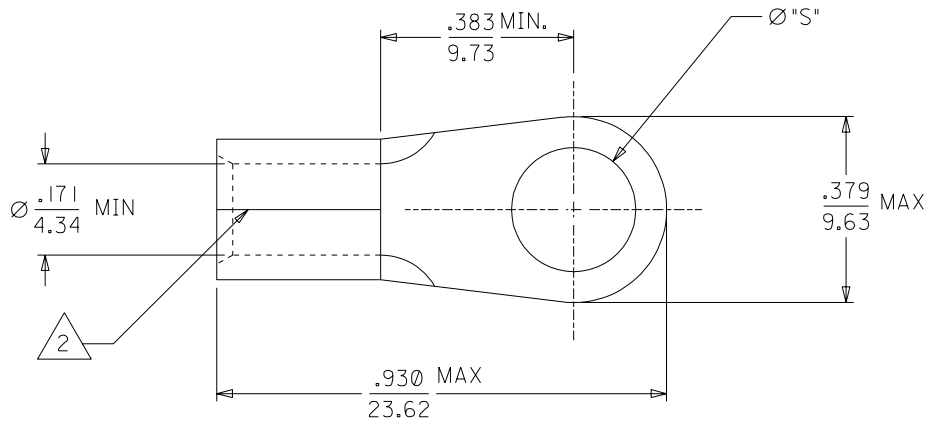


MATERIAL NUMBER	ENGINEERING NUMBER	STUD SIZE	"S" ±.003/(0.08)	PACKAGING
191930198	D-356-06	6	.146/(3.71)	LOOSE PIECE
191930200	D-356-08	8	.173/(4.39)	
191930202	D-356-10	10	.198/(5.03)	
191930204	D-356-14	14	.265/(6.73)	
191930199	D-356-06T	6	.146/(3.71)	TAPE
191930201	D-356-08T	8	.173/(4.39)	
191930203	D-356-10T	10	.198/(5.03)	
191930205	D-356-14T	14	.265/(6.73)	



TAPE MOUNTING LOCATION



SALES DRAWING

NOTES:
 1. MATERIAL: COPPER
 PLATING: ELECTRO-TIN.
 2. BRAZED SEAM.

NEW RELEASE EC NO. ETC2003-0024 DRWN: BRE 02/07/30 CHK: HEB 02/07/30 APPR: RWD 02/07/30	QUALITY SYMBOLS MAJOR = 0 CRITICAL = 0	GENERAL TOLERANCES: (UNLESS SPECIFIED)		SCALE 4:1	DESIGN UNITS <input type="checkbox"/> mm <input checked="" type="checkbox"/> INCH	DIMENSIONS: <input type="checkbox"/> mm <input checked="" type="checkbox"/> INCH <input type="checkbox"/> mm ONLY	SHT	REV
		4 PLACES ±0.	3 PLACES ±0.	2 PLACES ±0.	1 PLACE ±0.	THIRD ANGLE PROJECTION	REVISIONS	
DESCRIPTION		DRAWN BY & DATE BRE 02/07/23		CHECKED BY & DATE HEB 02/07/23		TITLE: RING TONGUE TERMINAL VERSAKRIMP 8 AWG		
REV		APPROVED BY & DATE RWD 02/07/23		MATERIAL NO. SEE CHART			DRAWING NO. SD-19069-012	
A		CAD FILENAME SD-19069-012 .DGN		DRAWING NO. SD-19069-012		SHEET NO. 1 OF 1		
		DRAFT WHERE APPLICABLE MUST REMAIN WITHIN DIMENSIONS		THIS DRAWING CONTAINS INFORMATION THAT IS PROPRIETARY TO MOLEX INCORPORATED AND SHOULD NOT BE USED WITHOUT WRITTEN PERMISSION.			SIZE B	