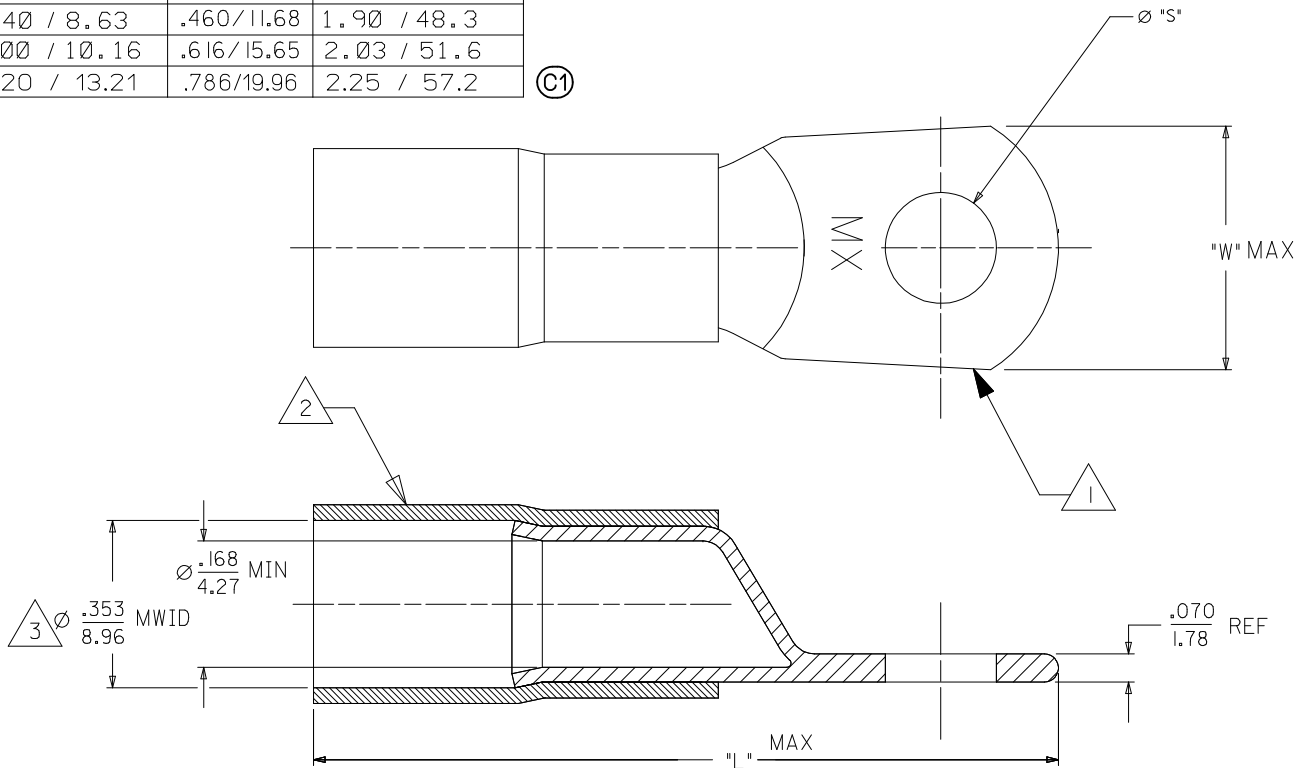


MATERIAL NUMBER	ENGINEERING NUMBER	STUD SIZE	"S" REF	"W" MAX	"L" MAX
191640840	SD-810	#10	.214 / 5.44	.460/11.68	1.90 / 48.3
191640884	SD-814	1/4	.278 / 7.06	.460/11.68	1.90 / 48.3
191640842	SD-8516	5/16	.340 / 8.63	.460/11.68	1.90 / 48.3
191640843	SD-838	3/8	.400 / 10.16	.616/15.65	2.03 / 51.6
191641007	SD-812-XWP-PL	1/2	.520 / 13.21	.786/19.96	2.25 / 57.2



- NOTES:
- 1. MATERIAL: TERMINAL: COPPER. PLATING: TIN
 - 2. INSULATION: HEAT SHRINKABLE TUBING W/HOT MELT ASHESIVE INNER LINER. COLOR: RED
 - 3. MWID = MAXIMUM WIRE INSULATION DIAMETER.
 - 4. ASSEMBLY IS ROHS COMPLIANT.

SALES DRAWING

REVISE DIMENSION L MAX EC NO: IPG2015-0652 DRAWN: GROSASO1 2014/10/08 CHKD: JMAGNEIL 2014/10/08 APPR: JMAGNEIL 2014/10/14	QUALITY SYMBOLS	GENERAL TOLERANCES (UNLESS SPECIFIED)	DIMENSION STYLE	SCALE	DESIGN UNITS	THIRD ANGLE PROJECTION	
	▽=0	mm INCH	IN/MM	---	INCH		
	▽=0	4 PLACES ± --- ± ---	DRAWN BY DATE				
		3 PLACES ± --- ± ---	BRE 04/02/11				
	2 PLACES ± --- ± ---	CHECKED BY DATE					
	1 PLACE ± --- ± ---	HEB 04/02/11					
	ANGULAR ± ---°	APPROVED BY DATE					
		RWD 04/02/11					
		MATERIAL NO.	SEE CHART				
		SIZE	B				
		THIS DRAWING CONTAINS INFORMATION THAT IS PROPRIETARY TO MOLEX INCORPORATED AND SHOULD NOT BE USED WITHOUT WRITTEN PERMISSION					

RING TONGUE TERMINAL PERMA-SEAL 8 AWG NIAC
MOLEX INCORPORATED
 DOCUMENT NO. SD-19164-066
 SHEET NO. 1 OF 1