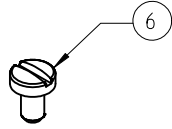
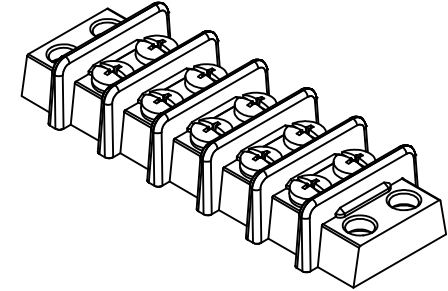
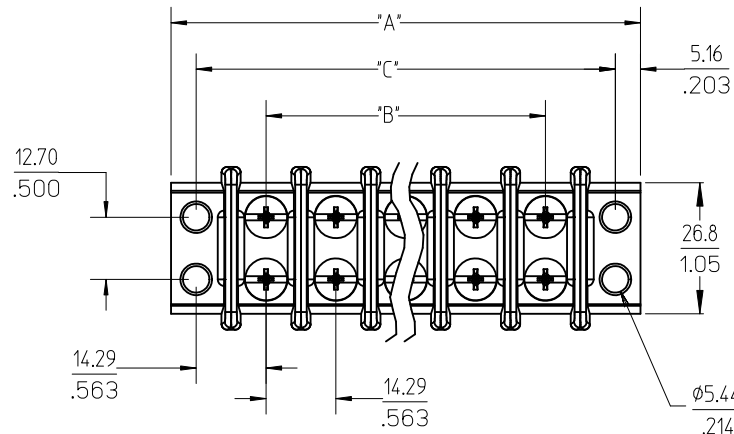


REF. -50 OPT. SCREW
(WHERE APPLICABLE)

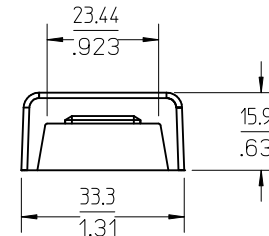
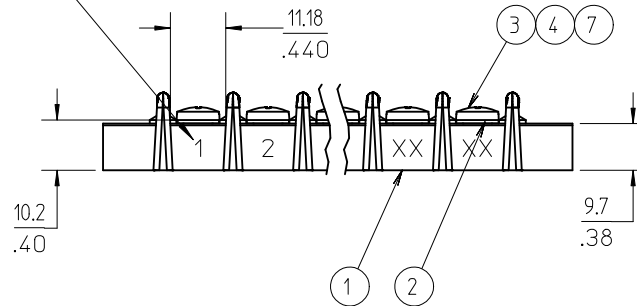


REF. -56 OPT. SCREW
(WHERE APPLICABLE)



5 CIRCUIT SHOWN

IMPRINTING FOR
OPTION -10A ONLY
(SEE NOTE 4)



NOTES:

1. MATERIAL: SEE TABLE
2. FINISHES: SEE TABLE
3. PRODUCT SPECIFICATION: NOT REQUIRED
4. IMPRINTING STYLE -10A (ONE SIDE)
IMPRINT TEXT TO BE .135" HEIGHT.
5. "XX" REFERS TO THE QUANTITY OF CIRCUITS.
6. ROHS COMPLIANT.

ITEM	QTY.	DESCRIPTION	MATERIAL	FINISH
7	XX*2	SCREW #8-32X.312 PHLP STAINLESS (OPT-53-56)	STEEL	PASSIVATE
6	XX*2	SCREW #8-32X.312 SLOT STAINLESS (OPT -56)	STEEL	PASSIVATE
5	XX*2	SCREW #8-32X.312 PAN PHS LZN/BR/STEEL -50	STEEL	ZN, CLEAR CHROMATE
4	XX*2	SCREW #8-32X.312 BHD PHS LN/BRASS -49	BRASS	NICKEL PLATE
3	XX*2	SCREW, #8-32 X .312, BHD, PHIL-SLOT	STEEL	ZN, CLEAR CHROMATE
2	XX	TERMINAL, EYELET, TWIN	BRASS	NICKEL PLATE
1	1	INSULATOR, AS CUT	PHENOLIC	BLACK

UPDATE SHEET 2 TABLE EC NO: WNA2010-0297 DRWN: JENC INAS 2009/10/29 CHKD: CYORK 2009/12/01 APPR: JIMAGNE II 2009/12/01	QUALITY SYMBOLS
	▼=0 ▽=0
	DESCRIPTION
	REV

DRAFT WHERE APPLICABLE MUST REMAIN WITHIN DIMENSIONS	GENERAL TOLERANCES (UNLESS SPECIFIED)															
	<table border="1"> <tr> <th></th> <th>mm</th> <th>INCH</th> </tr> <tr> <td>4 PLACES</td> <td>± ---</td> <td>± ---</td> </tr> <tr> <td>3 PLACES</td> <td>± ---</td> <td>± .005</td> </tr> <tr> <td>2 PLACES</td> <td>± 0.13</td> <td>± .01</td> </tr> <tr> <td>1 PLACE</td> <td>± 0.3</td> <td>± ---</td> </tr> </table>		mm	INCH	4 PLACES	± ---	± ---	3 PLACES	± ---	± .005	2 PLACES	± 0.13	± .01	1 PLACE	± 0.3	± ---
		mm	INCH													
	4 PLACES	± ---	± ---													
	3 PLACES	± ---	± .005													
2 PLACES	± 0.13	± .01														
1 PLACE	± 0.3	± ---														
ANGULAR ± 2 °																

DIMENSION STYLE		SCALE	DESIGN UNITS	THIRD ANGLE PROJECTION
MM/IN		1:1	INCH	☉
DRAWN BY	DATE	TITLE		
C. YORK	2004/11/22	14.29MM [.563] DOUBLE ROW PHENOLIC BTS ASSEMBLY MOLEX INCORPORATED		
CHECKED BY	DATE			
G. ROBERTSON	2004/12/01			
APPROVED BY	DATE	DOCUMENT NO.		
G. ROBERTSON	2004/12/01	SD-38210-001		
MATERIAL NO.		SHEET NO.		
SEE SHEET 2		1 OF 2		

THIS DRAWING CONTAINS INFORMATION THAT IS PROPRIETARY TO MOLEX INCORPORATED AND SHOULD NOT BE USED WITHOUT WRITTEN PERMISSION			
---	--	--	--

QTY. OF CIRC. "XX"	DIM. "A"	DIM. "B" $\text{\textcircled{D}}$	DIM. "C"	MATERIAL NO. (STANDARD)	MATERIAL NO. (-49 OPTION)	MATERIAL NO. (-50 OPTION)	MATERIAL NO. (-59 OPTION)	MATERIAL NO. (-49-59 OPTION)	MATERIAL NO. (-56 OPTION)	MATERIAL NO. (-53-56 OPTION)	MATERIAL NO. (-10A OPTION)	MATERIAL NO. (-10A-49 OPTION)	MATERIAL NO. (-10A-50 OPTION)
02	53.2 [2.09]	14.3 [.56]	42.8 [1.69]	382100102	382100202	382100302	382190067	382190247	382190191	382190063	382100502	---	---
03	67.5 [2.66]	28.6 [1.13]	57.1 [2.25]	382100103	382100203	382100303	382190069	382190248	382190057	382190195	382100503	---	---
04	81.7 [3.22]	42.8 [1.69]	71.4 [2.81]	382100104	382100204	382100304	382190080	382190083	382190081	---	382100504	---	---
05	96.0 [3.78]	57.1 [2.25]	85.7 [3.38]	382100105	382100205	382100305	382190090	382190092	382190132	---	382100505	---	---
06	110.3 [4.34]	71.4 [2.81]	100.0 [3.94]	382100106	382100206	382100306	382190109	382190110	382190221	---	382100506	382190155	382190156
07	124.6 [4.91]	85.7 [3.38]	114.3 [4.50]	382100107	382100207	382100307	382190200	382190130	382190203	382190129	382100507	---	---
08	138.9 [5.47]	100.0 [3.94]	128.5 [5.06]	382100108	382100208	382100308	382190011	---	382190010	---	382100508	---	---
09	153.2 [6.03]	114.3 [4.50]	142.8 [5.63]	382100109	382100209	382100309	---	---	382190192	---	382100509	---	---
10	167.5 [6.59]	128.5 [5.06]	157.1 [6.19]	382100110	382100210	382100310	382190202	382190020	382190022	---	382100510	---	---
11	181.8 [7.16]	142.8 [5.63]	171.4 [6.75]	382100111	382100211	382100311	382190047	---	382190255	---	382100511	---	---
12	196.0 [7.72]	157.1 [6.19]	185.7 [7.31]	382100112	382100212	382100312	382190030	---	382190056	---	382100512	---	---
13	210.3 [8.28]	171.4 [6.75]	200.0 [7.88]	382100113	382100213	382100313	---	---	---	---	382100513	---	---
14	224.6 [8.84]	185.7 [7.31]	214.3 [8.44]	382100114	382100214	382100314	---	---	---	382190032	382100514	---	---
15	238.9 [9.41]	200.0 [7.88]	228.6 [9.00]	382100115	382100215	382100315	---	---	---	---	382100515	---	---
16	253.2 [9.97]	214.3 [8.44]	242.8 [9.56]	382100116	382100216	382100316	---	---	382190254	---	382100516	---	---
17	267.5 [10.53]	228.6 [9.00]	257.1 [10.13]	382100117	382100217	382100317	---	---	---	---	382100517	---	---
18	281.8 [11.09]	242.8 [9.56]	271.4 [10.69]	382100118	382100218	382100318	---	---	382190198	---	382100518	---	---
19	296.1 [11.66]	257.1 [10.13]	285.7 [11.25]	382100119	382100219	382100319	---	---	---	---	382100519	---	---
20	310.3 [12.22]	271.4 [10.69]	300.0 [11.81]	382100120	382100220	382100320	---	---	---	---	382100520	---	---
21	324.6 [12.78]	285.7 [11.25]	314.3 [12.38]	382100121	382100221	382100321	---	---	---	---	382100521	---	---
22	338.9 [13.34]	300.0 [11.81]	328.6 [12.94]	382100122	382100222	382100322	---	---	---	---	382100522	---	---
23	353.2 [13.91]	314.3 [12.38]	342.9 [13.50]	382100123	382100223	382100323	---	---	---	---	382100523	---	---
24	367.5 [14.47]	328.6 [12.94]	357.1 [14.06]	382100124	382100224	382100324	---	---	---	---	382100524	---	---
25	381.8 [15.03]	342.9 [13.50]	371.4 [14.63]	382100125	382100225	382100325	---	---	---	---	382100525	---	---
26	396.1 [15.59]	357.1 [14.06]	385.7 [15.19]	382100126	382100226	382100326	---	---	---	---	382100526	---	---
27	410.4 [16.16]	371.4 [14.63]	400.0 [15.75]	382100127	382100227	382100327	---	---	---	---	382100527	---	---
28	424.7 [16.72]	385.7 [15.19]	414.3 [16.31]	382100128	382100228	382100328	---	---	---	---	382100528	---	---
29	439.0 [17.28]	400.0 [15.75]	428.6 [16.87]	382100129	382100229	382100329	---	---	---	---	382100529	---	---
30	453.3 [17.85]	414.3 [16.31]	442.9 [17.44]	382100130	382100230	382100330	---	---	---	---	382100530	---	---

UPDATE TABLE EC NO: WNA2010-0297 DRWN: JENC INAS 2009/10/29 CHKD: CYORK 2009/12/01 APPR: JMACNE IL 2009/12/01	QUALITY SYMBOLS $\nabla=0$ $\nabla=0$	GENERAL TOLERANCES (UNLESS SPECIFIED) mm INCH 4 PLACES \pm --- \pm --- 3 PLACES \pm --- \pm .005 2 PLACES \pm 0.13 \pm .01 1 PLACE \pm 0.3 \pm --- ANGULAR \pm 2°	DIMENSION STYLE MM/IN DRAWN BY DATE C. YORK 2004/11/22 CHECKED BY DATE G. ROBERTSON 2004/12/01 APPROVED BY DATE G. ROBERTSON 2004/12/01	SCALE 1:1 DESIGN UNITS INCH THIRD ANGLE PROJECTION	TITLE 14.29MM [.563] DOUBLE ROW PHENOLIC BTS ASSEMBLY
		DRAFT WHERE APPLICABLE MUST REMAIN WITHIN DIMENSIONS	MATERIAL NO. SEE CHART	DOCUMENT NO. SD-38210-001	SHEET NO. 2 OF 2
		THIS DRAWING CONTAINS INFORMATION THAT IS PROPRIETARY TO MOLEX INCORPORATED AND SHOULD NOT BE USED WITHOUT WRITTEN PERMISSION			
		MOLEX INCORPORATED			