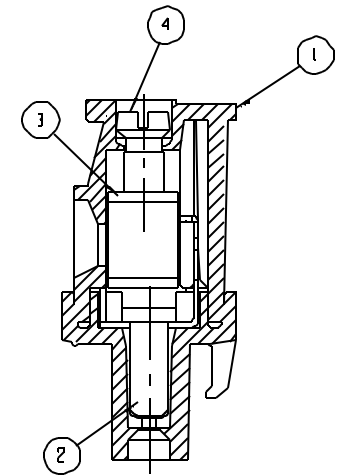
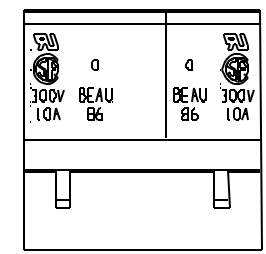


SCALE 2:1



SECT "Z-Z"



SCALE 2:1

NOTES:

1. MATERIAL: SEE TABLE
2. FINISHES: SEE TABLE
3. PRODUCT SPECIFICATION: NOT REQUIRED
4. PACKAGING: NOT REQUIRED
5. MATES WITH: NONE
6. "XX" REFERS TO THE QUANTITY OF CIRCUIT POSITIONS.
7. REFER TO DWG SD-38120-004 FOR OPTIONAL IMPRINTING (1)DAV AND (1)AVI.

ITEM	QTY.	DESCRIPTION	MATERIAL	FINISH
4	XX	SCREW, M3 X 0.5	STEEL	ZN, CLEAR CHROMATE
		SCREW, M3 X 0.5 (-G30, -49 OPT)	PHOS. BRONZE	TIN PLATE
3	XX	CAGE CLAMP	BRASS	NICKEL PLATE
2	XX	TERMINAL	PHOS. BRONZE	HOT TIN DIP
		TERMINAL, (-G30 OPT)	PHOS. BRONZE	GOLD PLATE
1	1	INSULATOR	POLYAMIDE	SEE CHART ON SHT. 2

ECN NO. ECN 3656	DRWING CY 05-05-04	DESCRIPTION MAJOR	QUALITY SYMBOLS
REV	CHK	APPR	CRITICAL
			SPEC

GENERAL TOLERANCES (UNLESS SPECIFIED)	
MM	INCH
4 PLACES	±.0015
3 PLACES	±.0038 ±.005
2 PLACES	±.13 ±.01
1 PLACE	±.3
ANGULAR: ±2°	

SCALE 3:1	DESIGN UNITS <input type="checkbox"/> MM <input checked="" type="checkbox"/> INCH
THIRD ANGLE PROJECTION	
DRAWN BY & DATE R. KEMP 12-06-01	
CHECKED BY & DATE P. WALTZ 12-06-01	
APPROVED BY & DATE L. ROTHHAUS 12-06-01	
CAD FILE NAME B608XX	

PROJECT NO.	SHT	REV
DIMENSIONS: <input checked="" type="checkbox"/> MM (INCH) <input type="checkbox"/> INCH (MM) <input type="checkbox"/> INCH ONLY	REVISE ON CAD ONLY	
TITLE: VERTICAL PLUGGABLE SR BTS RWE ASSY, (5.08 (.200) CENTERS)		
MOLEX INCORPORATED		
MATERIAL NO. SEE SHT. 2	DRAWING NO. SD-39860-013	SHEET NO. 1 OF 2
THIS DRAWING CONTAINS INFORMATION THAT IS PROPRIETARY TO MOLEX INCORPORATED AND SHOULD NOT BE USED WITHOUT WRITTEN PERMISSION.		
SIZE B		

NO. OF CIRC. "XX"	DIM. "A"	DIM. "B"	BLACK (STD.) MATERIAL NO.	BLACK MATERIAL NO. (-630 OPT)	BLACK MATERIAL NO. 1:10AV OPT	BLACK MATERIAL NO. 1:49 OPT	GREEN MATERIAL NO.
02	10.2 (1.40)	5.08 (1.200)	39860-0202	39861-0202	39862-0202	39864-0202	39860-3202
03	15.2 (1.60)	10.16 (1.400)	39860-0203	39861-0203	39862-0203	39864-0203	39860-3203
04	20.3 (1.80)	15.24 (1.600)	39860-0204	39861-0204	39862-0204	39864-0204	39860-3204
05	25.4 (1.00)	20.32 (1.800)	39860-0205	39861-0205	39862-0205	39864-0205	39860-3205
06	30.5 (1.20)	25.40 (1.000)	39860-0206	39861-0206	39862-0206	39864-0206	39860-3206
07	35.6 (1.40)	30.48 (1.200)	39860-0207	39861-0207	39862-0207	39864-0207	39860-3207
08	40.6 (1.60)	35.56 (1.400)	39860-0208	39861-0208	39862-0208	39864-0208	39860-3208
09	45.7 (1.80)	40.64 (1.600)	39860-0209	39861-0209	39862-0209	39864-0209	39860-3209
10	50.8 (2.00)	45.72 (1.800)	39860-0210	39861-0210	39862-0210	39864-0210	39860-3210
11	55.9 (2.20)	50.80 (2.000)	39860-0211	39861-0211	39862-0211	39864-0211	39860-3211
12	61.0 (2.40)	55.88 (2.200)	39860-0212	39861-0212	39862-0212	39864-0212	39860-3212
13	66.0 (2.60)	60.96 (2.400)	39860-0213	39861-0213	39862-0213	39864-0213	39860-3213
14	71.1 (2.80)	66.04 (2.600)	39860-0214	39861-0214	39862-0214	39864-0214	39860-3214
15	76.2 (3.00)	71.12 (2.800)	39860-0215	39861-0215	39862-0215	39864-0215	39860-3215
16	81.3 (3.20)	76.20 (3.000)	39860-0216	39861-0216	39862-0216	39864-0216	39860-3216
17	86.4 (3.40)	81.28 (3.200)	39860-0217	39861-0217	39862-0217	39864-0217	39860-3217
18	91.4 (3.60)	86.36 (3.400)	39860-0218	39861-0218	39862-0218	39864-0218	39860-3218
19	96.5 (3.80)	91.44 (3.600)	39860-0219	39861-0219	39862-0219	39864-0219	39860-3219
20	101.6 (4.00)	96.52 (3.800)	39860-0220	39861-0220	39862-0220	39864-0220	39860-3220
21	106.7 (4.20)	101.60 (4.000)	39860-0221	39861-0221	39862-0221	39864-0221	39860-3221
22	111.8 (4.40)	106.68 (4.200)	39860-0222	39861-0222	39862-0222	39864-0222	39860-3222
23	116.8 (4.60)	111.76 (4.400)	39860-0223	39861-0223	39862-0223	39864-0223	39860-3223
24	121.9 (4.80)	116.84 (4.600)	39860-0224	39861-0224	39862-0224	39864-0224	39860-3224

EC NO. SEE SHEET 1 DRWN: _____ CHK: _____ APPR: _____ REV: _____	QUALITY SYMBOLS MAJOR DRITICAL SPC S	GENERAL TOLERANCES UNLESS SPECIFIED mm ENCH		SCALE: <input type="checkbox"/> MM <input checked="" type="checkbox"/> INCH	DESIGN UNITS: <input checked="" type="checkbox"/> THIRD ANGLE PROJECTION	PROJECT NO.: _____ DIMENSIONS: <input checked="" type="checkbox"/> MM <input type="checkbox"/> INCH <input type="checkbox"/> MM ONLY	SHEET NO. 2 OF 2 REVISE ON CAD ONLY
		DRAWN BY & DATE R. KEMP 12-06-01		TITLE: VERTICAL PLUGGABLE SR BTS RWE ASSY, 15.08 (1.200) CENTERS!		MOLEX INCORPORATED	
		CHECKED BY & DATE P. WALTZ 12-06-01		APPROVED BY & DATE L. ROTHBAUS 12-06-01		MATERIAL NO. SEE CHART DRAWING NO. SD-39860-013	
		CAD FILENAME 860BXX		THIS DRAWING CONTAINS INFORMATION THAT IS PROPRIETARY TO MOLEX INCORPORATED AND SHOULD NOT BE USED WITHOUT WRITTEN PERMISSION.		SIZE B	